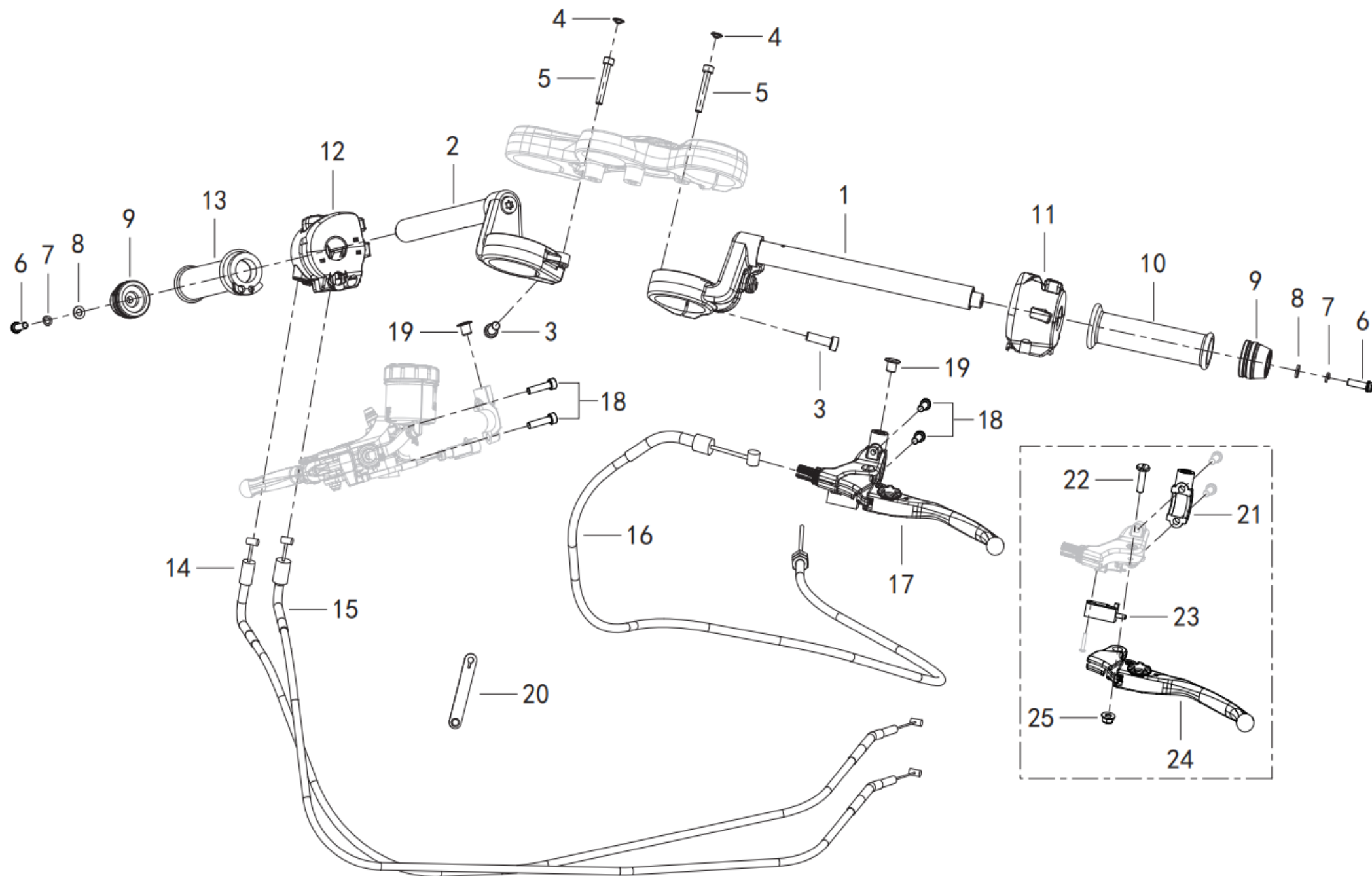
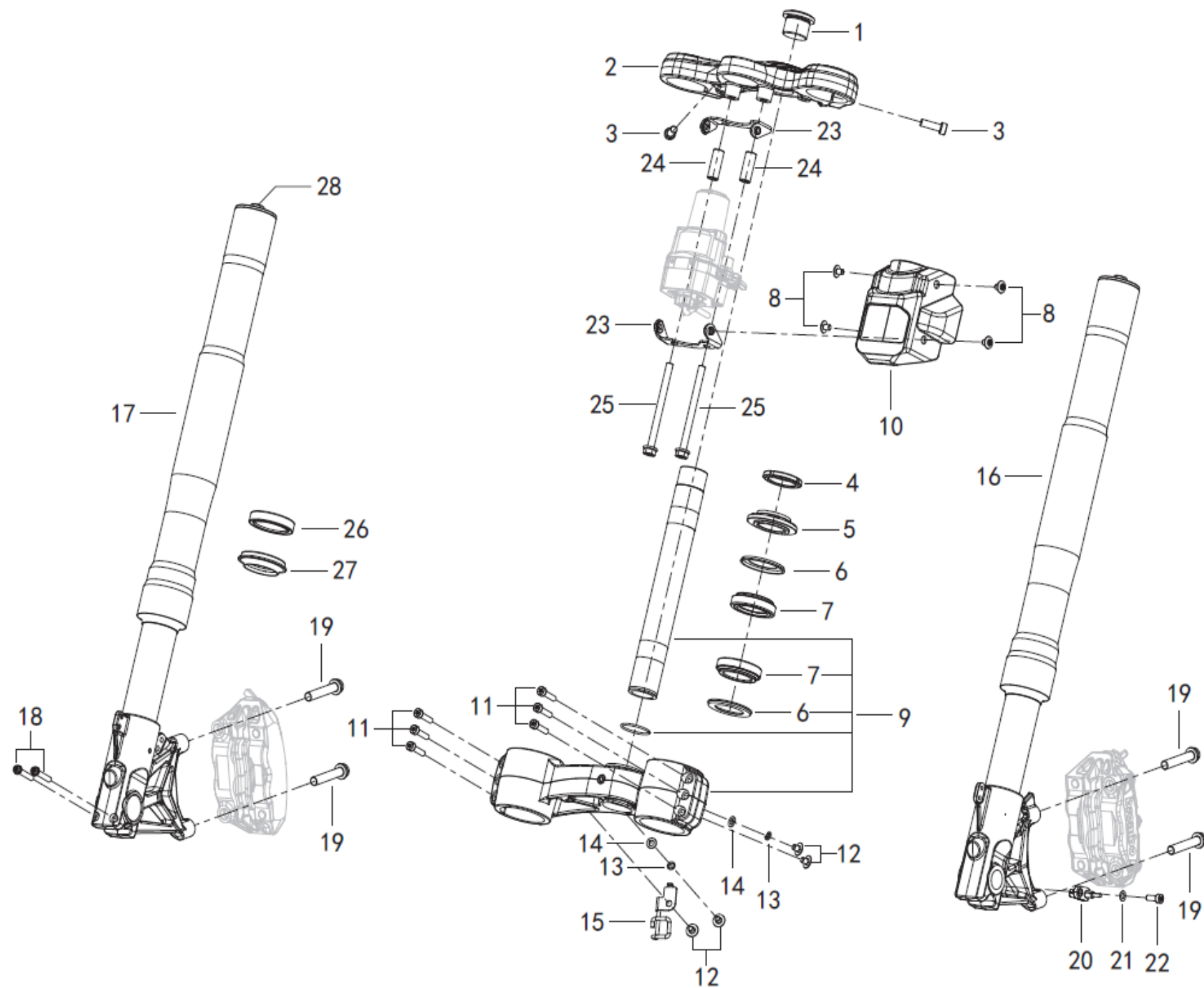


F01 操纵总成 CONTROL ASSY.



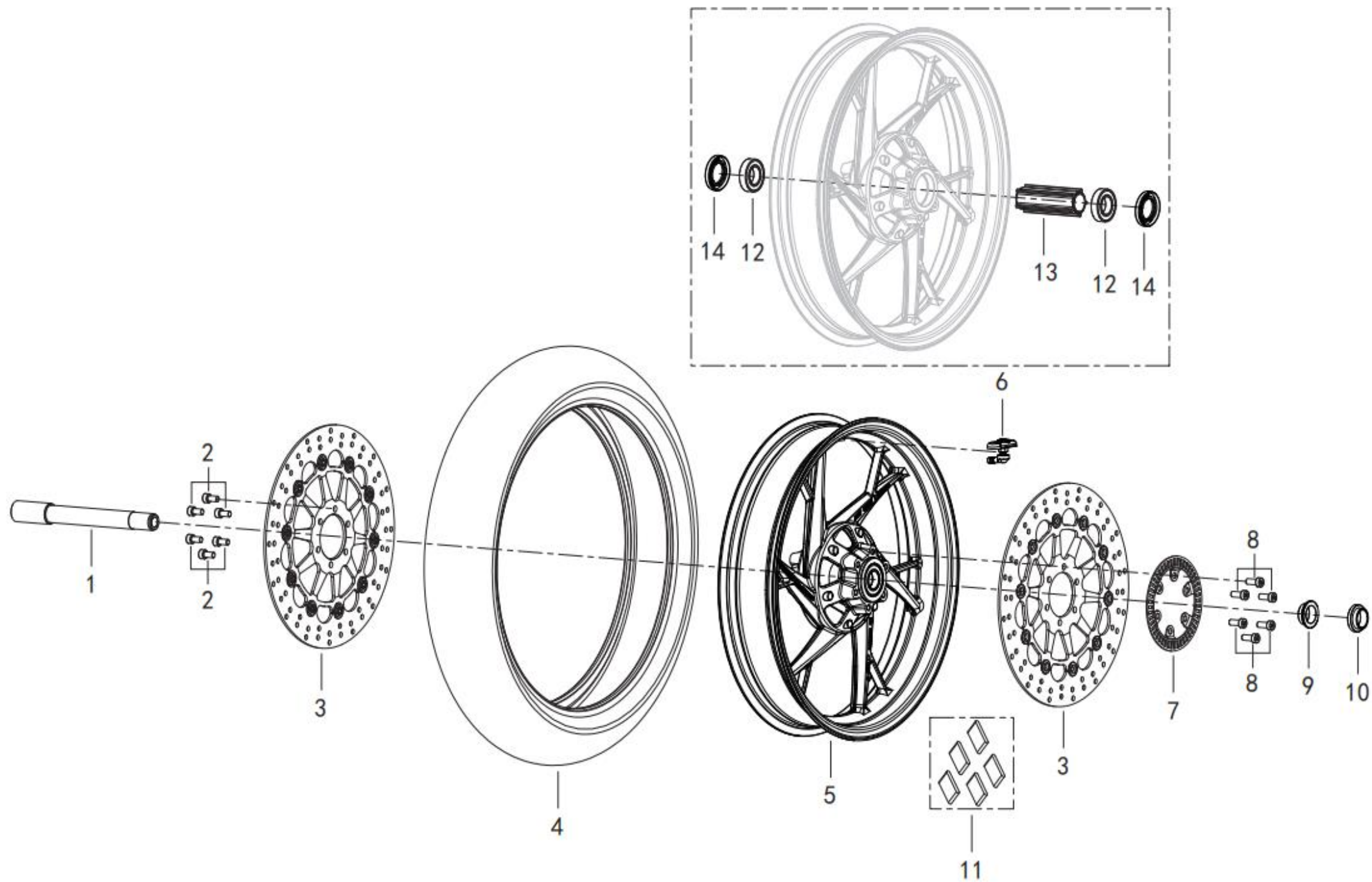
NO.	CODE	EN DESCRIPTION	QTY	REMARKS
F01-01	40110PAK0000	LEFT HANDLE ASSEMBLY	1	
F01-02	40120PAK0000	RIGHT HANDLE ASSEMBLY	1	
F01-03	B0226080256S	HEX SOCKET TORX CHEESE HEAD SCREW M8×25	2	
F01-04	40013P130000	RELEASE HANDLE PLUG	2	
F01-05	B0205060406A	HEX SOCKET HEAD CAP SCREW M6×40	2	
F01-06	B0226060206S	HEX SOCKET TORX CHEESE HEAD SCREW M6×20	2	
F01-07	B0700000060H	SPRING WASHER 6	2	
F01-08	B0703000060A	WASHER Ø6	2	
F01-09	40031P320000	BALANCE WEIGHT	2	
F01-10	40001K740000	LEFT HANDLE SLEEVE	1	
F01-11	40500P310006	LEFT COMBINATION SWITCH	1	
F01-12	40600P310031	RIGHT COMBINATION SWITCH	1	
F01-13	40210P280000	THROTTLE GRIP ASSEMBLY	1	
F01-14	40300P620000	THROTTLE CABLE ASSEMBLY I	1	
F01-15	40330P620000	THROTTLE CABLE ASSEMBLY II	1	
F01-16	40400P620000	CLUTCH LINE ASSEMBLY	1	
F01-17	40080P410100	HANDLE AS-LEFT	1	
F01-18	B0226060256S	HEX SOCKET TORX CHEESE HEAD SCREW M6×25	4	
F01-19	40012P130000	REAR VIEW MIRROR RUBBER PLUG	2	
F01-20	49371T620000	STOP VALVE CORD CLAMP	3	
F01-21	45023P250000	HANDLE FIXING COVER	1	
F01-22	40083P250000	LEFT HANDLE BASE SCREW	1	
F01-23	91090P250000	CLUTCH SWITCH ASSEMBLY	1	
F01-24	40084P410100	LEFT HANDLE	1	
F01-25	B04170600055	SELF LOCKING NUT M6	1	

F02 前叉总成 FORK ASSY.



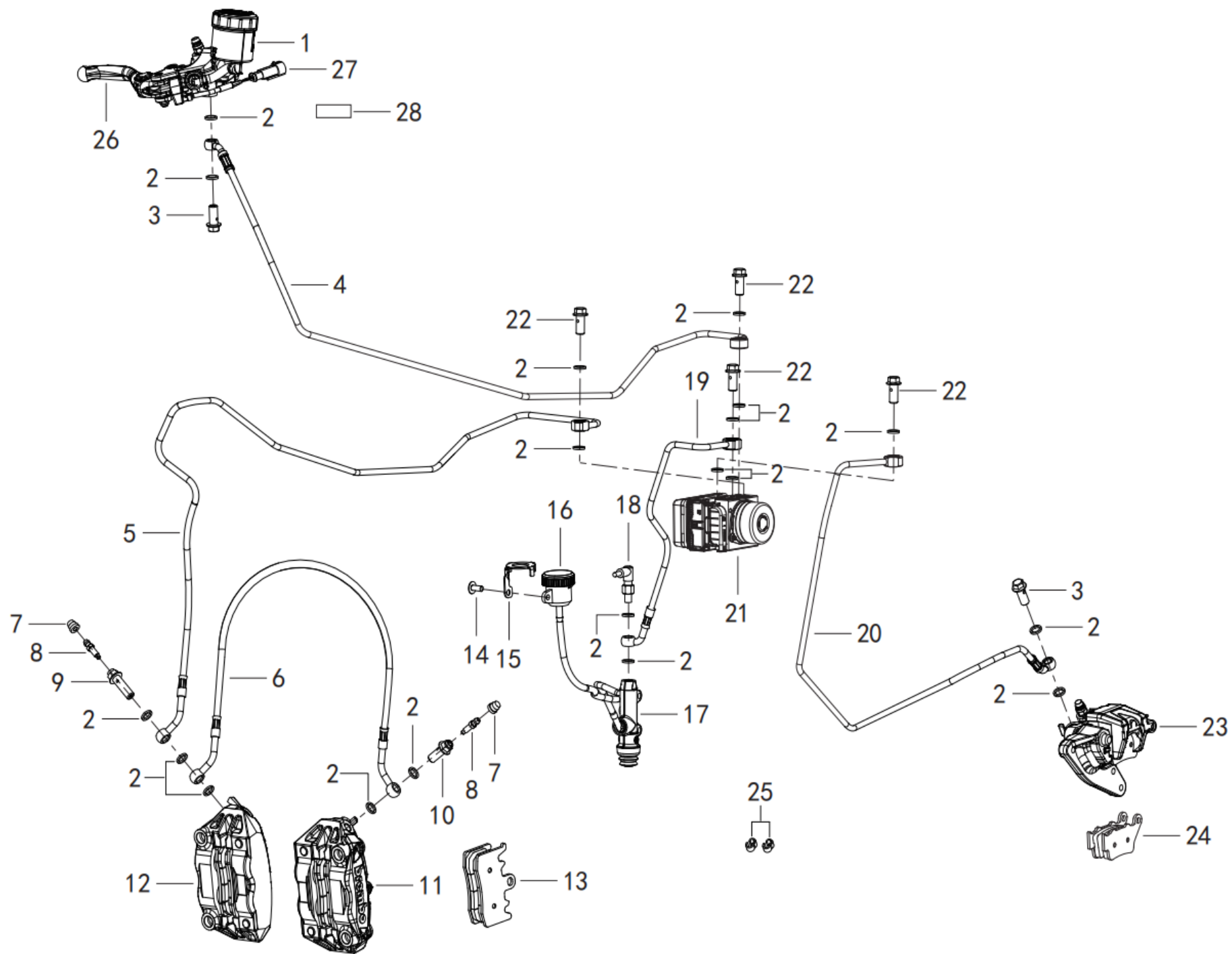
NO.	CODE	EN DESCRIPTION	QTY	REMARKS
F02-01	43049P800000	UPPER CONNECTING PLATE FASTENING SCREW	1	
F02-02	43011P620000	UPPER COUPLING PLATE	1	
F02-03	B0226080256S	HEX SOCKET TORX CHEESE HEAD SCREW M8×25	2	
F02-04	43008S010010	UPPER CONNECTING PLATE FASTENING NUT	1	
F02-05	43009S010000	NUT	1	
F02-06	43005S010000	DUST RING	2	
F02-07	43130S010000	STEERING BEARING	2	
F02-08	08002P620000	HEXAGON SOCKET TORX FLANGE SCREW M6×8	4	
F02-09	43100P27001Z	LOWER COUPLING PLATE ASSEMBLY	1	
F02-10	65214P620000	POWER LOCK DECORATIVE COVER	1	
F02-11	B0226060256S	HEX SOCKET TORX CHEESE HEAD SCREW M6×25	6	
F02-12	B02830600862	BOLT M6×8	4	
F02-13	B0700000060H	SPRING WASHER 6	2	
F02-14	B0703000060H	WASHER Φ6	2	
F02-15	45350P250000	FRONT HYDRAULIC BRAKE PIPELINE CLAMP ASSY	1	
F02-16	43200P62M005	FRONT LEFT SHOCK ABSORBER ASSY (MARZOCCHI)	1	
F02-17	43300P62M005	FRONT RIGHT SHOCK ABSORBER ASSY (MARZOCCHI)	1	
F02-18	B0226060306S	HEX SOCKET TORX CHEESE HEAD SCREW M6×30	2	
F02-19	08006P620J01	THIN HEX SOCKET SCREW M10×1.25×55	4	
F02-20	45710P370001	FRONT AND REAR WHEEL SPEED SENSORS II	1	
F02-21	43283P100010	SHIM	3	
F02-22	B0226060166S	HEXAGON SOCKET HEAD CAP SCREW M6×16	1	
F02-23	57540P620002	POWER LOCK MOUNTING BASE	2	
F02-24	53021D010100	CHAIN TENSIONING AXLE SLEEVE	2	
F02-25	B0109081026H	HEXAGON FLANGE BOLT M8×102	2	
F02-26	43260P380001	OIL SEAL	2	
F02-27	43290P380001	DUST RING ASSEMBLY	2	
F02-28	43304P100011	BOLT	2	

F03 前轮总成 FRONT WHEEL ASSY.



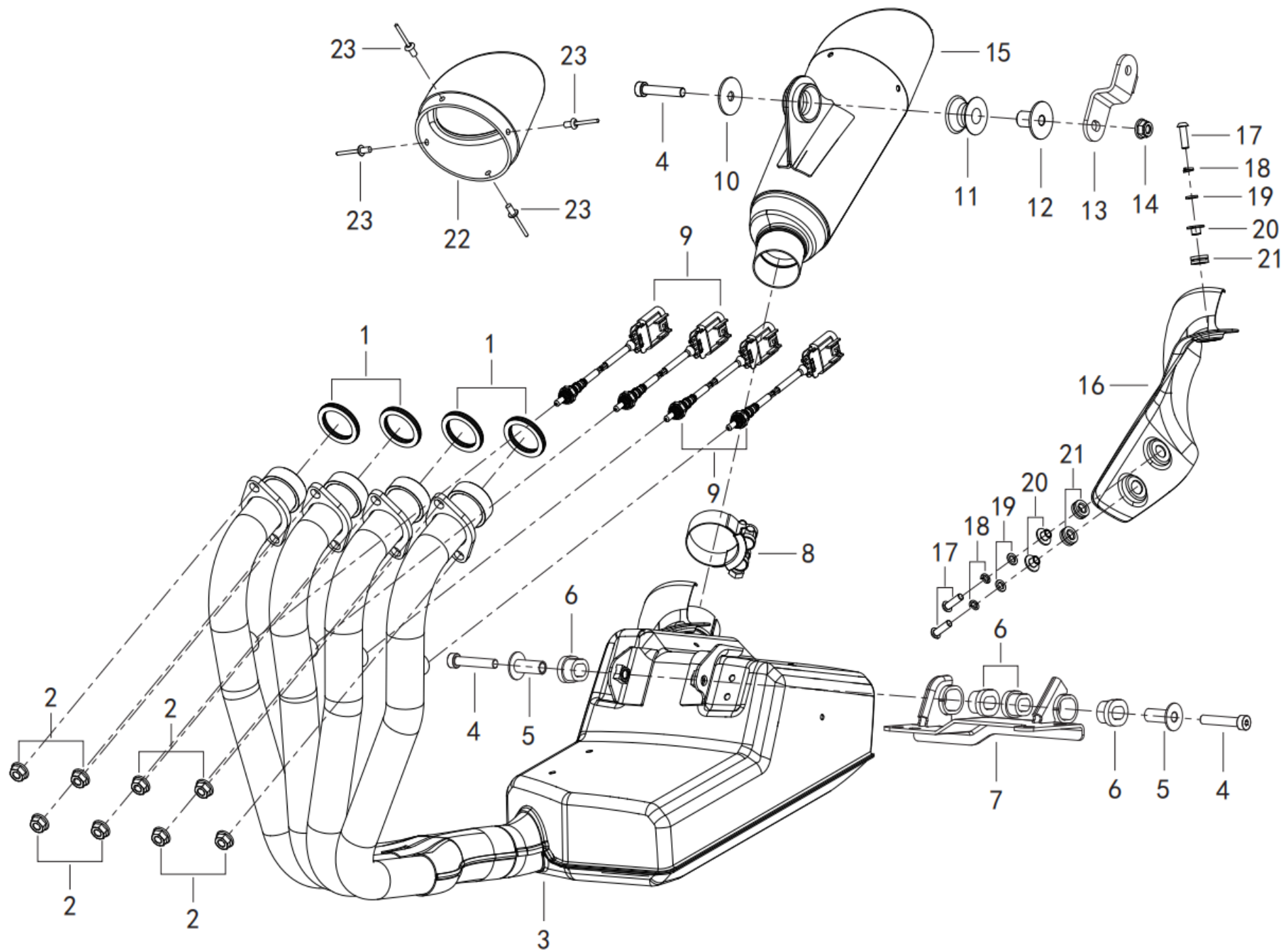
NO.	CODE	EN DESCRIPTION	QTY	REMARKS
F03-01	44004S010010	FRONT WHEEL SHAFT	1	
F03-02	08002P62000J	HEXAGON SOCKET HEAD CAP SCREW M8×16	6	
F03-03	45030P250003	FRONT BRAKE DISC	2	
F03-04	B140107D1721	TIRE 120/70 ZR17	1	
F03-05	44100PAK001Z	FRONT WHEEL ASSY	1	
F03-06	95950P730000	TIRE PRESSURE SENSOR	1	
F03-07	45702P250000	ABS FRONT GEAR RING	1	
F03-08	08001P62000J	HEXAGON SOCKET HEAD CAP SCREW M8×20	6	
F03-09	44072PAK0000	SLEEVE GASKETII	1	
F03-10	44005PAK0000	SLEEVE GASKETI	1	
F03-11	44091P290000	5 GRAMS OF DYNAMIC BALANCE BLOCK	5	
F03-12	B12016000507	ROLLING BEARING 6005-2RS/C3	2	
F03-13	44600PAK0000	MIDDLE AXLE BUSH OF FRONT WHEEL	1	
F03-14	B2201FB30477	OIL SEAL ASSY.	2	

F04A 液刹总成 BRAKE ASSY.



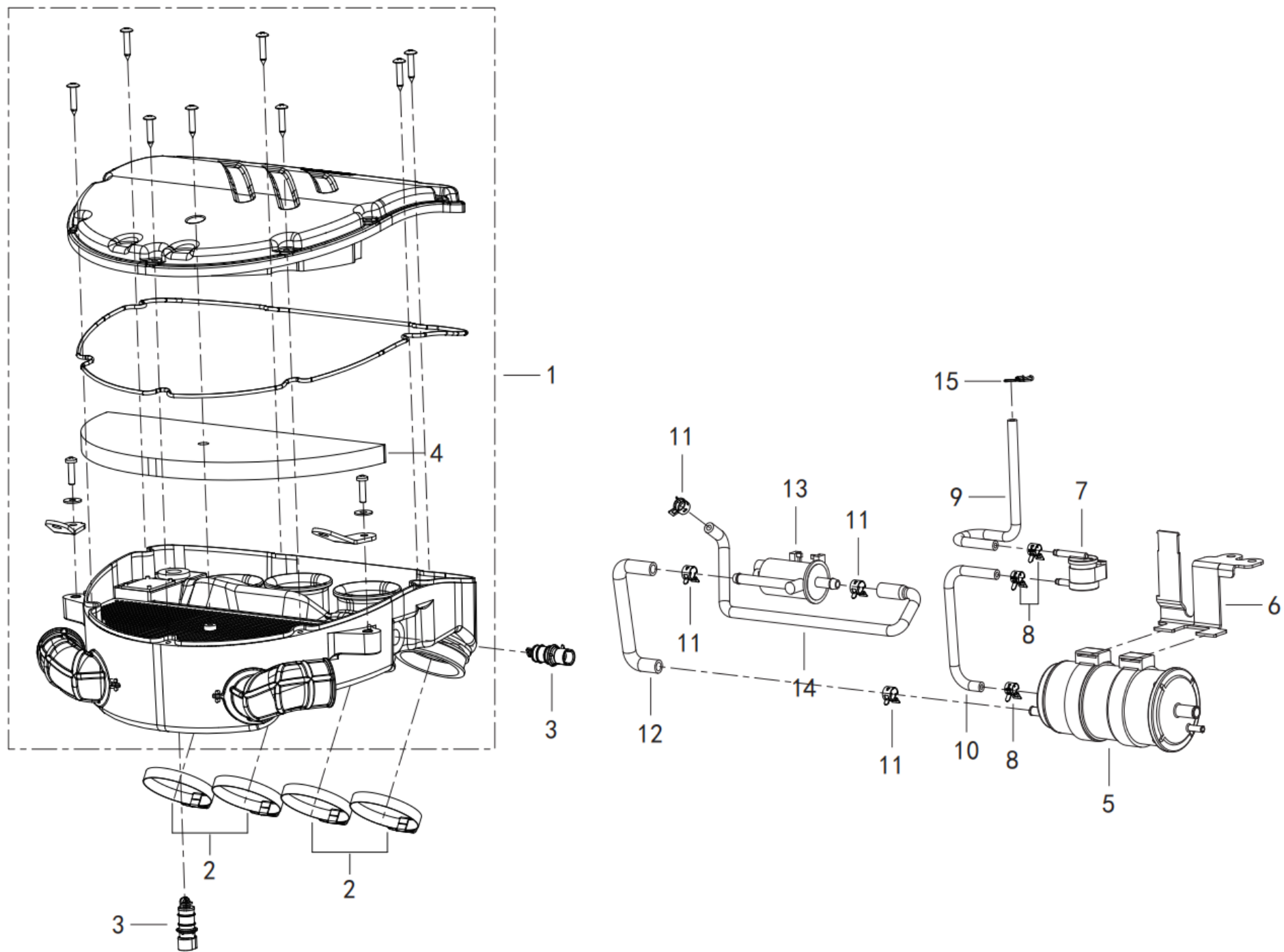
NO.	CODE	EN DESCRIPTION	QTY	REMARKS
F04-01	45400P380200	THE PUMP BODY BEFORE	1	
F04-02	45078P440001	THE GASKET	19	
F04-03	55037P300100	TUBING MOUNTING BOLT	2	
F04-04	45240P620000	FRONT HYDRAULIC BRAKE TUBING ASSEMBLY I	1	
F04-05	45270P250001	FRONT HYDRAULIC BRAKE OIL PIPE ASSEMBLY II	1	
F04-06	45250P250001	FRONT HYDRAULIC BRAKE TUBING ASSEMBLY	1	
F04-07	45021B510000	AIR VENT DUST COVER	3	
F04-08	45019N100100	DEFLATED MOUTH	2	
F04-09	45037P360100	TUBING MOUNTING BOLT	1	
F04-10	45037P150101	TUBING MOUNTING BOLT	1	
F04-11	45500P280000	FRONT LEFT BRAKE CYLINDER ASSEMBLY (BREMBO)	1	
F04-12	45600P280000	FRONT RIGHT BRAKE CYLINDER ASSEMBLY (BREMBO)	1	
F04-13	45120P280000	FRONT BRAKE SHOE ASSEMBLY (BREMBO)	2	
F04-14	08002P620002	SOCKET HEX FLOWERED FLANGE SCREWS M6×14	1	
F04-15	57041V030001	OIL CUP STOPPER COVER	1	
F04-16	55140P260000	REAR OIL CUP ASSEMBLY	1	
F04-17	55400P410000	REAR OIL PUMP BODY ASSEMBLY	1	
F04-18	55300P410000	REAR BRAKE PRESSURE SWITCH	1	
F04-19	55240P250000	REAR HYDRAULIC BRAKE OIL PIPE ASSEMBLY I	1	
F04-20	55270P250001	AFTER HYDRAULIC BRAKE OIL PIPE ASSEMBLY II	1	
F04-21	45700P250000	ABS GP-DUAL CHANNEL	1	
F04-22	55037P250100	ABS TUBING BOLT	4	
F04-23	55500P380000	REAR BRAKE CYLINDER ASSEMBLY (BREMBO)	1	
F04-24	55120P380000	REAR FRICTION PLATE	1	
F04-25	50920S070000	SENSOR WIRE BUCKLE	7	
F04-26	45020P380000	FRONT HANDLE ASSEMBLY (BREMBO)	1	
F04-27	45300P380000	FRONT BRAKE SWITCH ASSEMBLY	1	
F04-28	05582K980000	TRANSPARENT WEAR RESISTANT DECAL	1	

F05 消声器总成 MUFFLER ASSY.



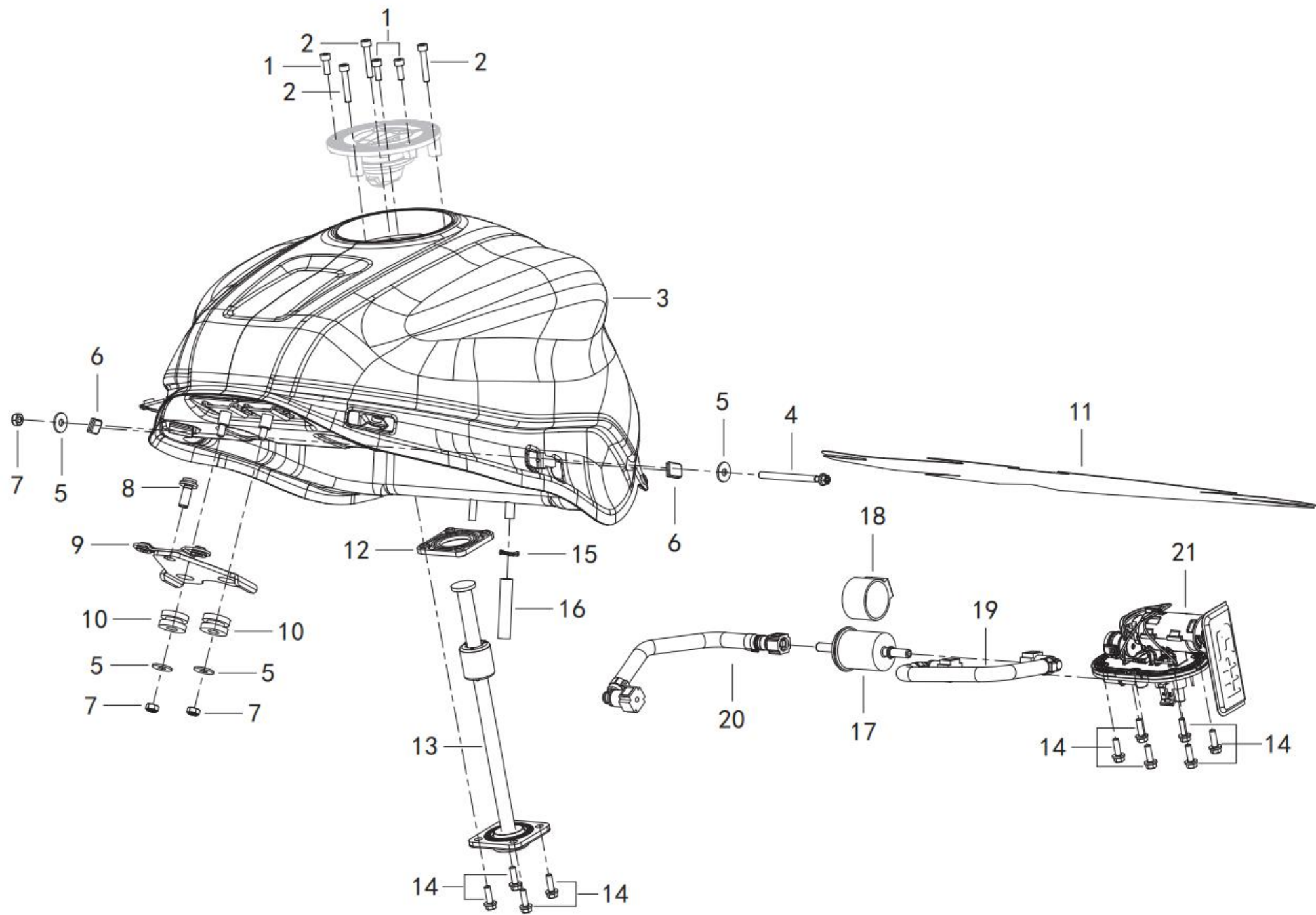
NO.	CODE	EN DESCRIPTION	QTY	REMARKS
F05-01	47800P250000	GASKET AS-EXHAUST	4	
F05-02	B0407080005H	NUT M8	8	
F05-03	47200PAK0011	CYLINDER ASSEMBLY I	1	
F05-04	B0226080456S	HEX SOCKET TORX CHEESE HEAD SCREW M8×45	3	
F05-05	47041PAK0000	MUFFLER MOUNTING BUSHING	2	
F05-06	47026PAK0000	MUFFLER BUFFER RUBBER	4	
F05-07	47080PAK0000	MUFFLER MOUNTING BASE	1	
F05-08	48830P180000	CLAMP AS	2	
F05-09	280586030020	OXYGEN SENSOR	4	
F05-10	47022N290010	MUFFLER BUFFER WASHER	1	
F05-11	47028H390000	MUFFLER RUBBER SLEEVE	1	
F05-12	47021N290000	MUFFLER BUFFER BUSHING	1	
F05-13	58081PAK0000	MUFFLER MOUNTING PLATE	1	
F05-14	B0417080004H	SELF LOCKING NUT M8	1	
F05-15	48200PAK0000	CYLINDER ASSEMBLY II	1	
F05-16	47020PAKMM10	DECORATIVE COVER	1	
F05-17	B0218060206A	HEX SOCKET FLAT ROUND HEAD SCREW M6×20	3	
F05-18	B0700000060H	SPRING WASHER 6	3	
F05-19	B07050000604	WASHER Ø6	3	
F05-20	47131P520000	BUSHING	3	
F05-21	47028P520000	RUBBER SLEEVE	3	
F05-22	48761PAK0000	REAR TRIM COVER	1	
F05-23	B10200501300	RIVET 5×13	4	

F06 空滤器总成 AIR CLEANER ASSY.



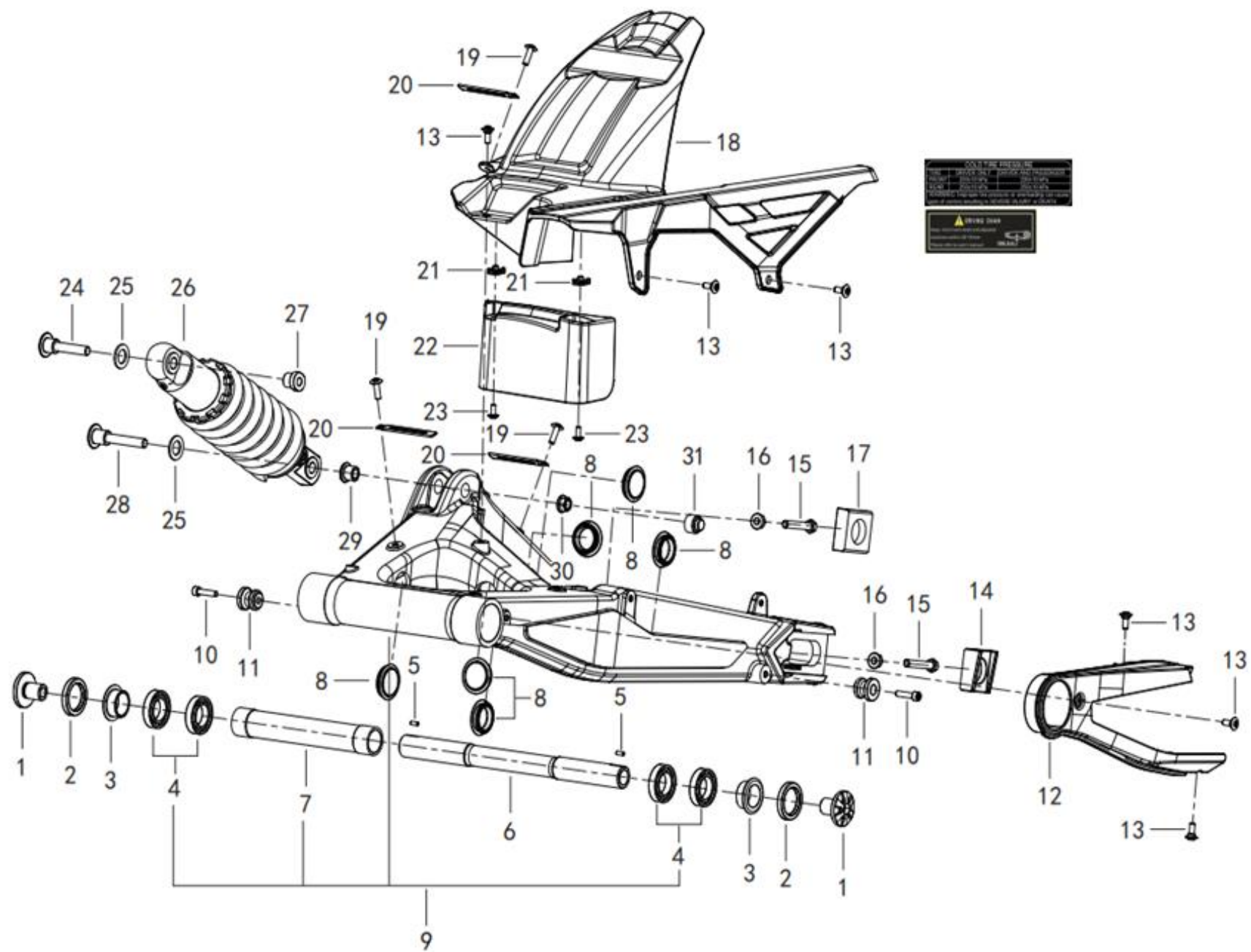
NO.	CODE	EN DESCRIPTION	QTY	REMARKS
F06-01	49100P250100	EMPTY FILTER COMPONENTS	1	
F06-02	49016N070001	STAINLESS STEEL BAND 40 - 60	4	
F06-03	310015040000	TEMPERATURE SENSOR	2	
F06-04	49208P250000	FILTER ELEMENT	1	
F06-05	49912K670000	CARBON TANK	1	
F06-06	57054P250000	CANISTER MOUNTING PLATE	1	
F06-07	49930G410000	CHECK VALVE COMPONENTS	1	
F06-08	50306T450300	PLATE CARD HOOP Φ 8	3	
F06-09	49905P620001	TANK AND CHECK VALVE CONNECTING PIPE	1	
F06-10	49921P250000	ONE-WAY VALVE WITH CARBON CANISTER TUBE	1	
F06-11	50307J140302	PLATE CARD HOOP ϕ 10	4	
F06-12	49922P250001	CANISTER & ELECTROMAGNETIC VALVE CONNECTING PIPE	1	
F06-13	49710N070001	CANISTER SOLENOID VALVE	1	
F06-14	49923PAK0000	SOLENOID VALVE & THROTTLE VALVE CONNECTING PIPE	1	
F06-15	B1701010500H	STEEL WIRE CLAMP Φ 10.5	1	

F07 油箱总成 FUEL TANK ASSY.



NO.	CODE	EN DESCRIPTION	QTY	REMARKS
F07-01	B0226050146A	HEXAGON SOCKET HEAD CAP SCREW M5×14	3	
F07-02	B0226050306A	HEXAGON SOCKET HEAD CAP SCREW M5×30	3	
F07-03	50100PAK030Z	FUEL TANK ASSEMBLY, BLUE E7,WITH STICKER	1	
F07-03	50100PAK031Z	FUEL TANK ASSEMBLY, BLACK BW,WITH STICKER	1	
F07-04	08013P620010	HEX FLANGE BOLT WITH HEX FLOWER RECESS M6×70	1	
F07-05	B0702000060G	FLAT WASHER Ø6	4	
F07-06	50018L420000	OIL TANK RUBBER SLEEVE	2	
F07-07	B04810600052	NUT M6×1	3	
F07-08	08005P620001	THIN HEX SOCKET FLOWER FLANGE SCREW M8×20	1	
F07-09	50030P620000	WELDING ASSEMBLY OF FRONT MOUNTING PLATE OF OIL TANK	1	
F07-10	50005P250000	FRONT MOUNTING PAD OF OIL TANK	2	
F07-11	50029P620000	OIL TANK INSULATION TIN FOIL PAPER	1	
F07-12	50808P250010	OIL LEVEL SENSOR SEALING RING	1	
F07-13	50800PAK0000	OIL LEVEL SENSOR	1	
F07-14	08012P620001	HEX FLANGE BOLT WITH HEX FLOWER RECESS M5×16	10	
F07-15	B1701010500H	STEEL WIRE CLAMP Ø10.5	1	
F07-16	55065E070000	TUBING	1	
F07-17	50340N070000	FILTER ASSEMBLY	1	
F07-18	50391N070010	FILTER SHEATH	1	
F07-19	50070P620000	OIL TUBE ASSEMBLY I	1	
F07-20	50080P620000	OIL TUBE ASSEMBLY II	1	
F07-21	50400P080000	PUMP AS-FUEL	1	

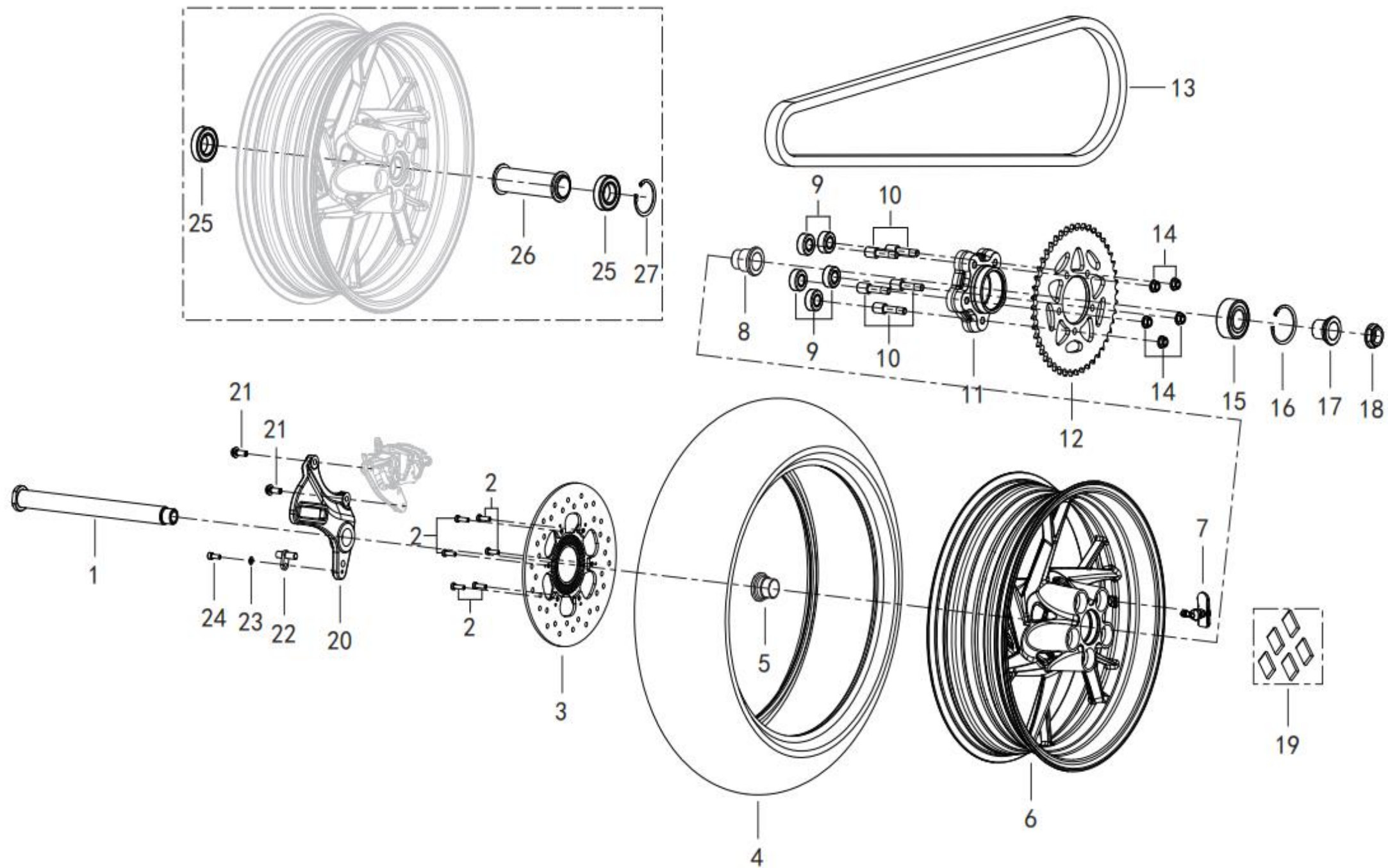
F08 后摆臂总成 REAR SWINGING ARM ASSY.



NO.	CODE	EN DESCRIPTION	QTY	REMARKS
F08-01	08013S010300	SCREW M18×1.5×24	2	
F08-02	53220S010000	REAR SWING ARM SEAL RING	2	

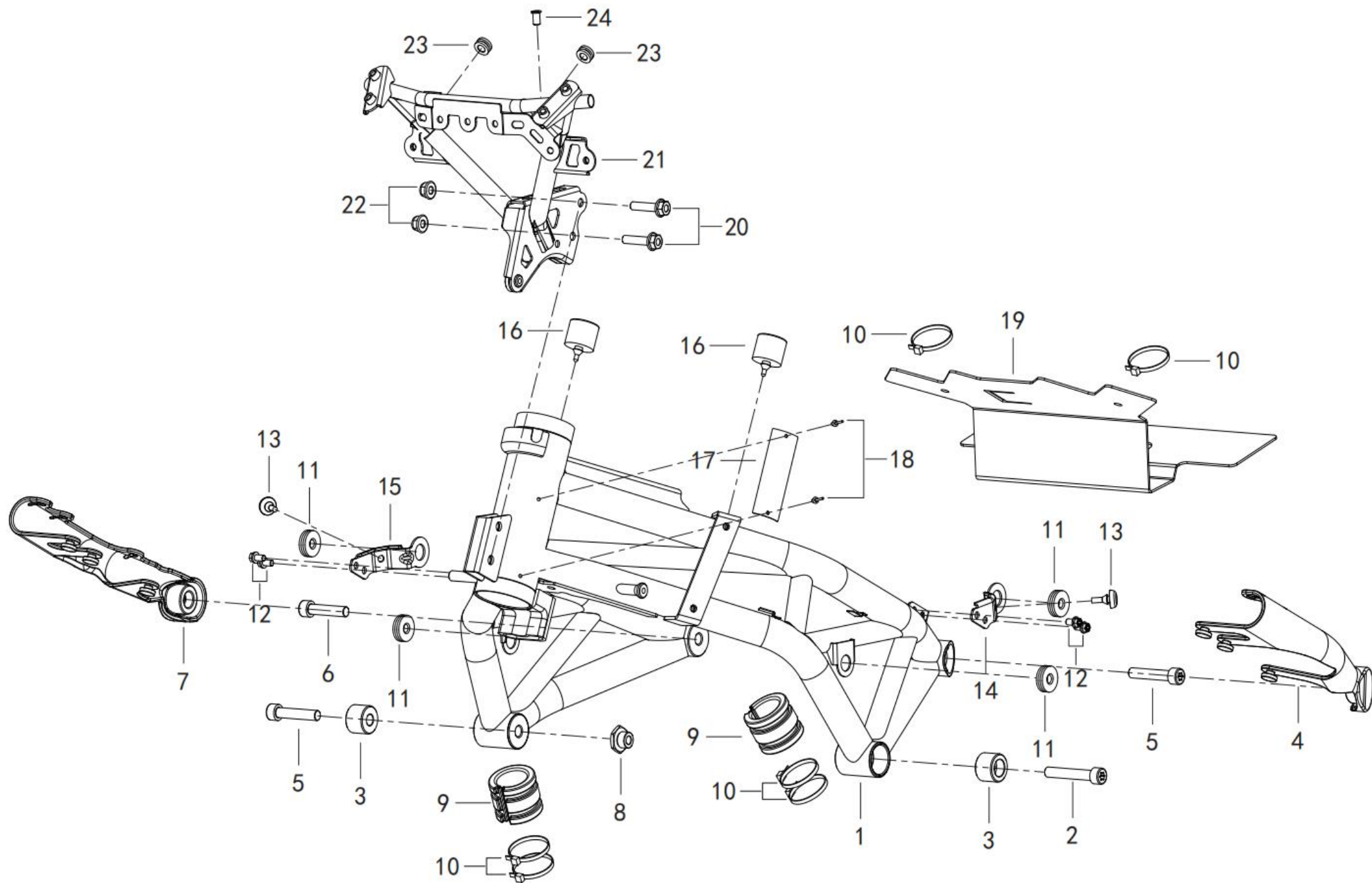
NO.	CODE	EN DESCRIPTION	QTY	REMARKS
F08-03	53013P300010	REAR SWING ARM MOUNTING BUSH	2	
F08-04	B12016190500	ROLLING BEARING 61905-2RS	4	
F08-05	B091404010B0	PIN	2	
F08-06	53001P300100	REAR SWING ARM MOUNTING SHAFT	1	
F08-07	53005P250010	INTERMEDIATE SPACER	1	
F08-08	53017P410000	REAR SWING ARM PLUG	5	
F08-09	53101P41000Z	REAR SWING ARM ASSEMBLY	1	
F08-10	B0226060256S	HEXAGON SOCKET HEAD CAP SCREW M6×25	2	
F08-11	53021P250000	SUPPORT SLEEVE	2	
F08-12	53004P410001	CHAIN PROTECTION BLOCK	1	
F08-13	08003P620100	HEXAGON SOCKET FLANGE STEP SCREW M6×15	6	
F08-14	60151P410000	LEFT CHAIN ADJUSTMENT BLOCK	1	
F08-15	08002P410000	CHAIN ADJUSTING SCREW	2	
F08-16	B0407080005H	NUT M8	2	
F08-17	60151P290000	LEFT CHAIN ADJUSTMENT BLOCK	1	
F08-18	60101P410010	CHAIN COVER	1	
F08-19	08002P620103	HEXAGON SOCKET FLOWER FLANGE SCREW M6×20	3	
F08-20	58430J000000	CLAMP ASSEMBLY	3	
F08-21	65624P160000	SNAP NUT M5	2	
F08-22	60102P410000	CHAIN GUARD FENDER	1	
F08-23	08001P620100	HEXAGON SOCKET FLOWER FLANGE SCREW M5×12	2	
F08-24	63012P250400	REAR SHOCK ABSORBER UPPER FIXED SHAFT M10×59	1	
F08-25	63013P250000	MOUNTING GASKET OF REAR SHOCK ABSORBER 16×27×2	2	
F08-26	63800P62M003	REAR SHOCK ABSORBER ASSEMBLY (MARZOCCHI)	1	
F08-27	57027P250010	AXLE SLEEVE	1	
F08-28	63015P250400	LOWER FIXED SHAFT OF REAR SHOCK ABSORBER M10×71	1	
F08-29	53013P250010	BUSHING	1	
F08-30	B04821012552	NUT M10×1.25	1	
F08-31	58306P160000	POWER BOLT SHEATH	1	

F09 后轮总成 REAR WHEEL ASSY.



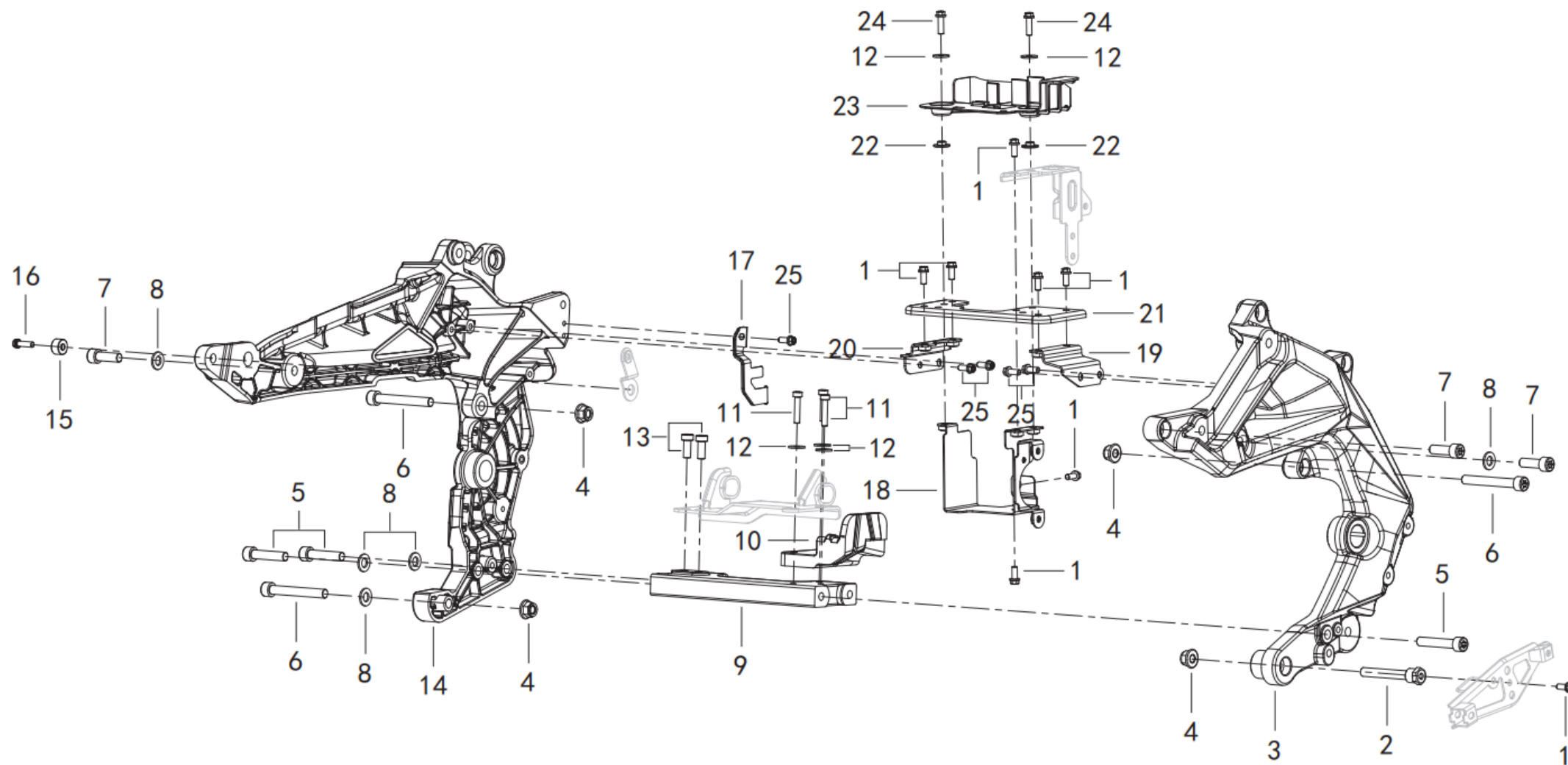
NO.	CODE	EN DESCRIPTION	QTY	REMARKS
F09-01	54004P250010	REAR AXLE	1	
F09-02	08013P06000J	SCREW M6×20	6	
F09-03	55030P160000	REAR BRAKE DISC ASSEMBLY	1	
F09-04	B140113B1720	VACUUM TIRE 180 / 55 ZR17	1	
F09-05	54005P290001	THE REAR CASING	1	
F09-06	54100PAK001Z	REAR WHEEL ASSEMBLY	1	
F09-07	95950P730000	TIRE PRESSURE SENSOR	1	
F09-08	54016P250001	REAR LEFT AXLE SLEEVE	1	
F09-09	54622S010000	REAR WHEEL BUFFER SLEEVE	5	
F09-10	60015P250200	SPROCKET FIXING BOLT M10×1.25×41	5	
F09-11	60001P250000	CHAIN HUB	2	
F09-12	60002P250000	SPROCKET	1	
F09-13	60310P410010	CHAIN 525V11×118	1	
F09-14	B04821012552	SELF LOCKING NUT M10×1.25	5	
F09-15	54553S010000	BEARING 30×62×23.8	1	
F09-16	B08810006200	RETAINING RING Φ62	1	
F09-17	54016S010000	SPROCKET SHAFT SLEEVE	1	
F09-18	54019P300010	SELF LOCKING NUT M24×1.5	1	
F09-19	44091P290000	5G DYNAMIC BALANCE WEIGHT	5	
F09-20	55401P410000	BRAKE CALIPER SUPPORT PLATE	1	
F09-21	08005P620J00	THIN HEX SOCKET FLOWER FLANGE SCREW M8×20	2	
F09-22	45710P370001	FRONT AND REAR WHEEL SPEED SENSORS II	1	
F09-23	43283P100010	SHIM	3	
F09-24	B0226060166S	HEX SOCKET TORX CHEESE HEAD SCREW M6×16	1	
F09-25	B12016000600	ROLLING BEARING 6006-2RS	2	
F09-26	54551S010000	MIDDLE SPACER SLEEVE	1	
F09-27	B0881000500H	RETAINING RING	1	

F10 前车架总成 FRONT FRAME ASSY.



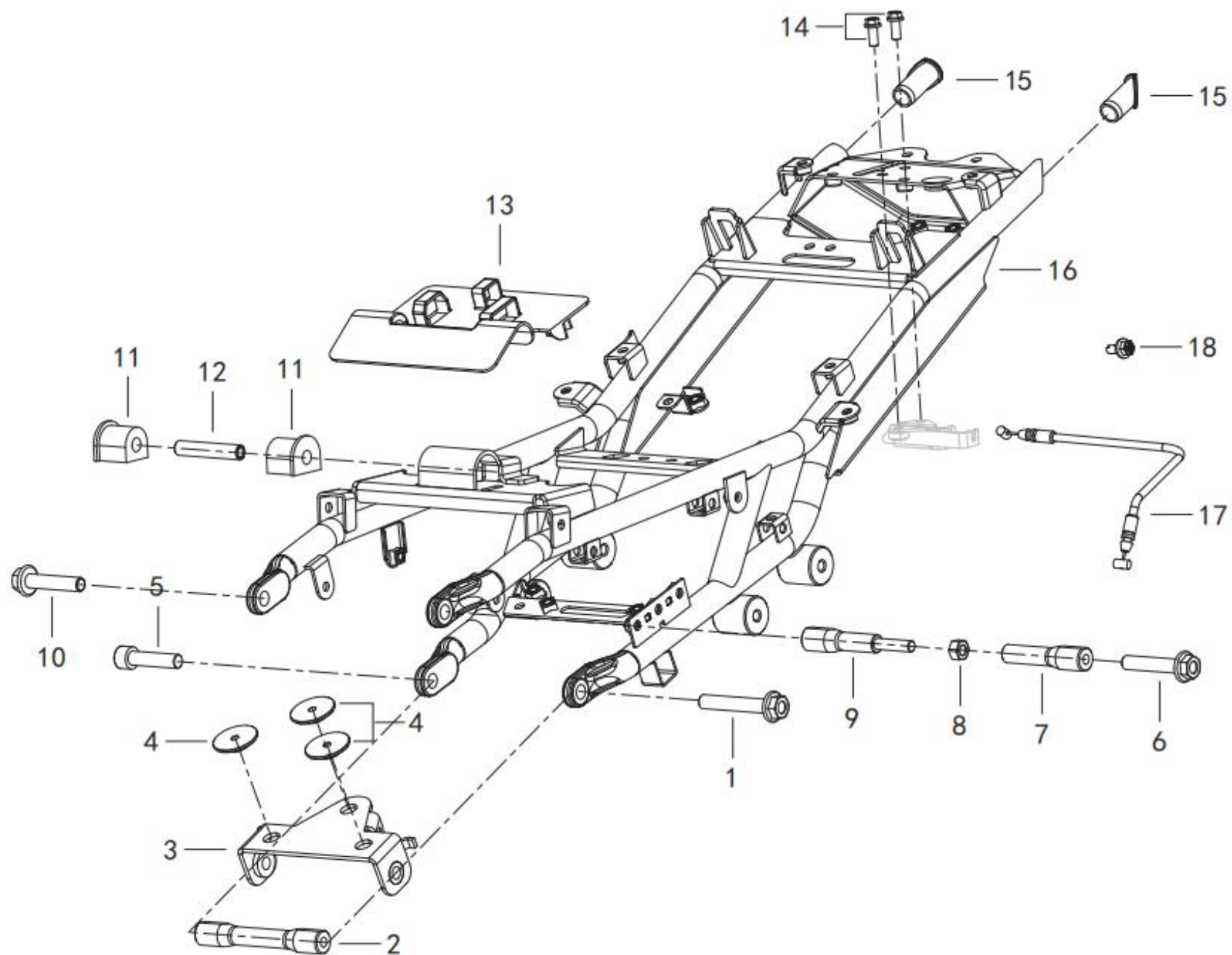
NO.	CODE	EN DESCRIPTION	QTY	REMARKS
F10-01	57110P62BH00	FRONT FRAME WELDING ASSEMBLY	1	
F10-02	B0226100608R	HEX SOCKET TORX CHEESE HEAD SCREW M10×60	1	
F10-03	57025P250000	FRAME TRIM SLEEVE I	2	
F10-04	65617PAK0000	BUMPER RUBBER II	1	
F10-05	B0226100508R	HEX SOCKET TORX CHEESE HEAD SCREW M10×50	2	
F10-06	B0226100458R	HEX SOCKET TORX CHEESE HEAD SCREW M10×45	1	
F10-07	65618PAK0000	FENDER BUFFER RUBBER IIII	1	
F10-08	57213P250000	RIGHT ALUMINUM FRAME SCREW SLEEVE	1	
F10-09	65616PAK0000	BUMPER RUBBER I	2	
F10-10	96003P360000	NYLON CABLE TIES	6	
F10-11	65618J000000	RUBBER PAD OF GUARD PLATE C	4	
F10-12	08013P620000	HEXAGON SOCKET HEXAGON FLANGE BOLT M6×10	4	
F10-13	58302B450000	BUFFER BLOCK	2	
F10-14	57955P620000	LEFT GUARD MOUNTING PLATE	1	
F10-15	57965P620000	RIGHT GUARD MOUNTING PLATE	1	
F10-16	50007P250000	OIL TANK MOUNTING PAD	2	
F10-18	B102032010P0	CLOSED FLAT ROUND HEAD BLIND RIVETS 3.2×9.5	2	
F10-19	57045PAK0000	ANTI ABRASION RUBBER SKIN	1	
F10-20	B0109080356H	BOLT M8×35	2	
F10-21	08510PAK0000	HEADLAMP BRACKET WELDING ASSEMBLY	1	
F10-22	B0417080004H	SELF LOCKING NUT M8	2	
F10-23	43038P250000	FRONT TURN LAMP BRACKET RUBBER SLEEVE	2	
F10-24	B0443050120H	RIVETING NUT M5×12	1	

F11 侧车架总成 SIDE FRAME ASSY.



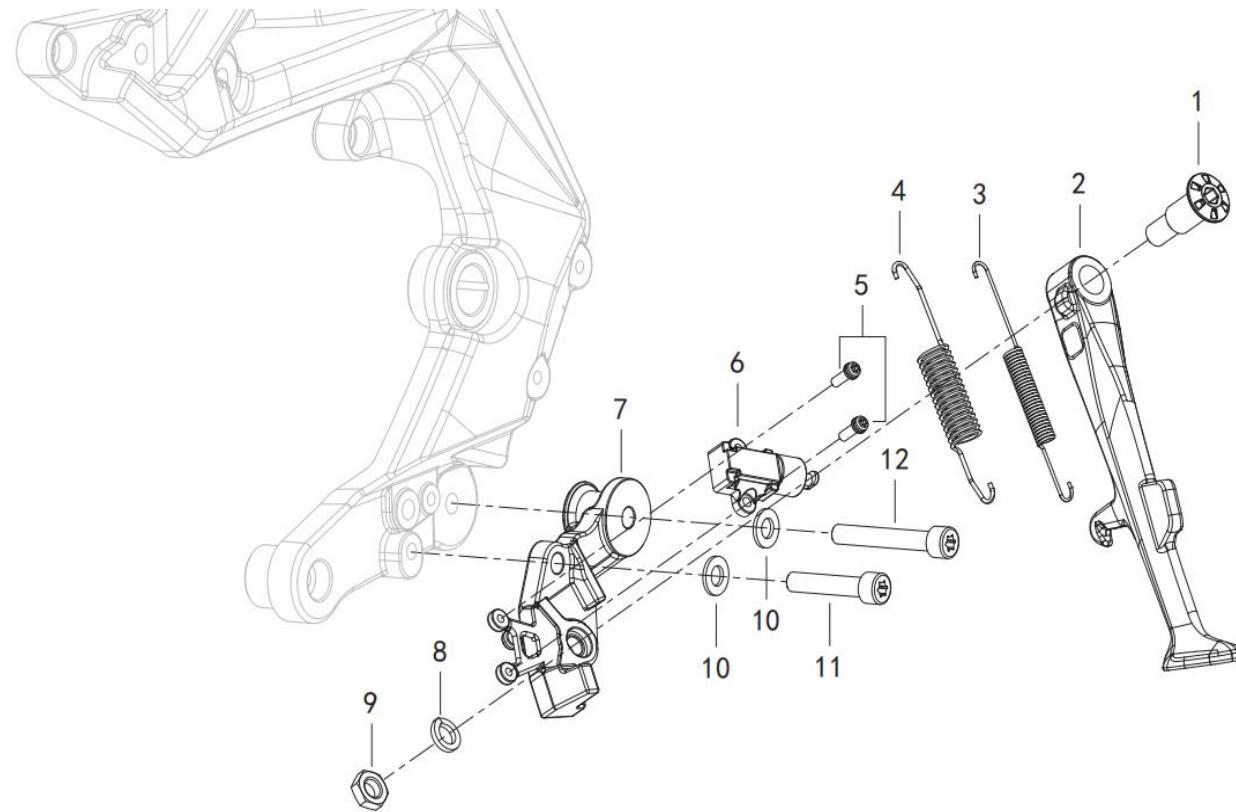
NO.	CODE	EN DESCRIPTION	QTY	REMARKS
F11-01	08013P620002	HEXAGON SOCKET HEXAGON FLANGE BOLT M6×14	8	
F11-02	08011P620000	LEFT FRAME MOUNTING BOLT	1	
F11-03	57211P260200	LEFT ALUMINUM FRAME	1	
F11-04	B0417100004H	ALL METAL HEXAGON FLANGE LOCK NUT M10	4	
F11-05	B0226100456S	HEX SOCKET TORX CHEESE HEAD SCREW M10×45	3	
F11-06	B0226100756S	HEX SOCKET TORX CHEESE HEAD SCREW M10×75	3	
F11-07	B0226100306S	HEX SOCKET TORX CHEESE HEAD SCREW M10×30	3	
F11-08	B0703000100H	WASHER 10	5	
F11-09	57406P250001	LOWER BODY STIFFENER	1	
F11-10	60150P250000	CHAIN LOWER BUFFER BLOCK ASSEMBLY	1	
F11-11	B0226060306S	HEX SOCKET TORX CHEESE HEAD SCREW M6×30	3	
F11-12	B0702000060G	FLAT WASHER ØSIX	5	
F11-13	B0226080206S	HEX SOCKET TORX CHEESE HEAD SCREW M8×20	2	
F11-14	57212P260200	RIGHT ALUMINUM FRAME	1	
F11-15	57028P250000	FRAME TRIM SLEEVE III	1	
F11-16	B0226060206S	HEX SOCKET TORX CHEESE HEAD SCREW M6×20	1	
F11-17	57055P410000	BRAKE SWITCH PLUG-IN MOUNTING PLATE	1	
F11-18	58660P280000	ABS MOUNTING BASE	1	
F11-19	57150P250000	BRACKET AS-LEFT	1	
F11-20	57160P250000	BRACKET AS-RH	1	
F11-21	57140P250000	UPPER BRACKET ASSEMBLY	1	
F11-22	08305B400100	BUSHING	2	
F11-23	59420P410000	ELECTRICAL INSTALLATION BASE	1	
F11-24	160306030030	HEXAGON TORX BOLT M6×20	2	
F11-25	08013P620000	HEXAGON SOCKET HEXAGON FLANGE BOLT M6×10	5	

F12 后车架总成 REAR FRAME ASSY.



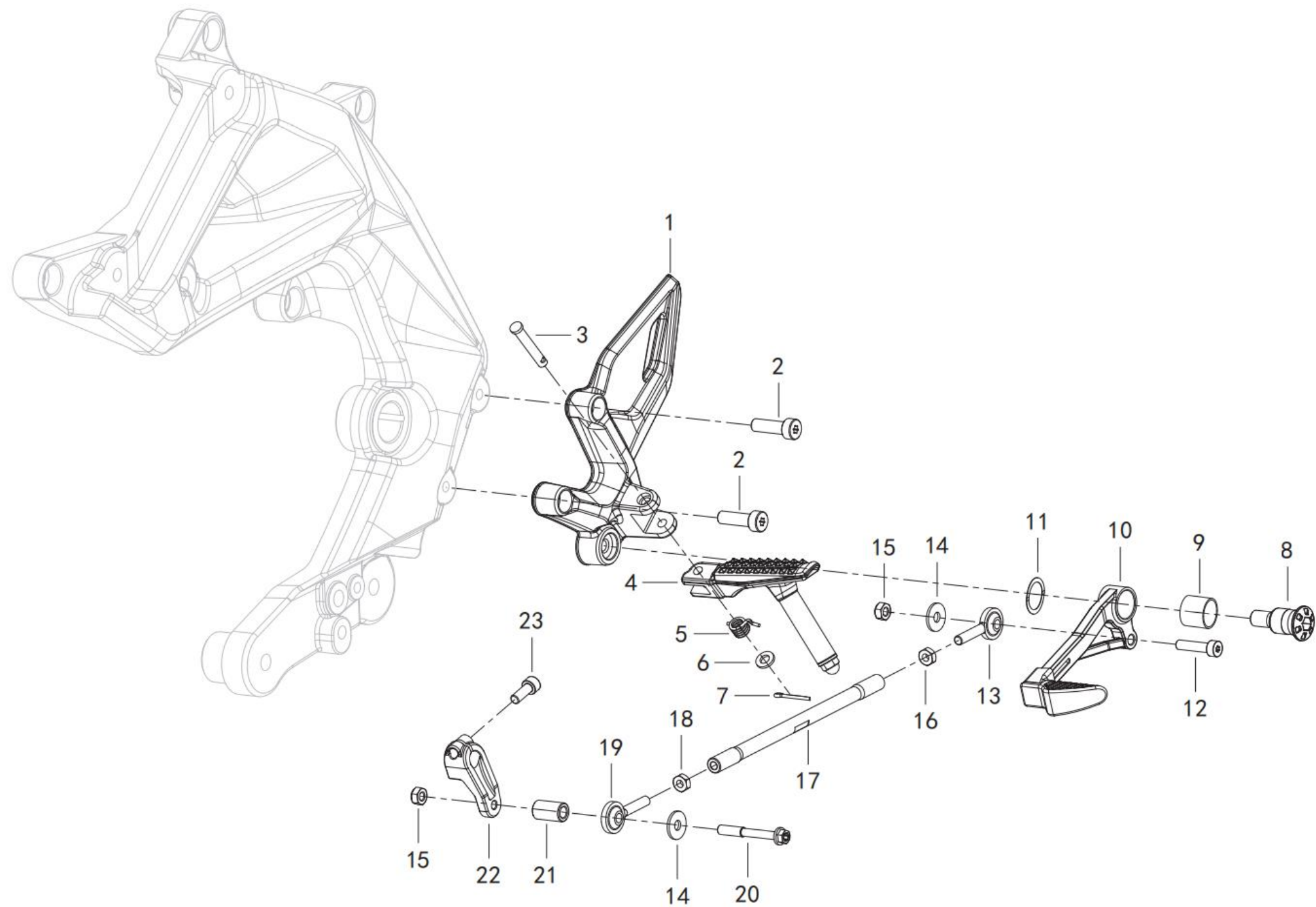
NO.	CODE	EN DESCRIPTION	QTY	REMARKS
F12-01	08009P250000	REAR FRAME FIXING BOLT M10×1.25×60	1	
F12-02	57038P250001	CONNECTING SCREW UNDER THE REAR FRAME	1	
F12-03	58750P250001	BATTERY STENTS	1	
F12-04	58821P250000	RUBBER	3	
F12-05	08006P250000	REAR FRAME FIXING SCREW M10×1.25×40	1	
F12-06	08008P250000	REAR FRAME FIXING BOLT M10×1.25×50	1	
F12-07	57036P250001	CONNECTING SCREW I ON THE REAR FRAME	1	
F12-08	08051P250000	NUT M8	1	
F12-09	57037P250001	REAR FRAME CONNECTING SCREW	1	
F12-10	08007P250000	REAR FRAME FIXING BOLT M10×1.25×45	1	
F12-11	50006P250001	FUEL TANK REAR MOUNTING MAT	2	
F12-12	50221P250010	FUEL TANK MOUNTING BUSHING	1	
F12-13	65681P620000	REAR FRAME TRIM PANEL	1	
F12-14	08013P620002	HEXAGON SOCKET HEXAGON FLANGE BOLT M6×14	6	
F12-15	57015P250001	REAR FRAME PLUG	2	
F12-16	57120PAK0001	REAR FRAME WELDING ASSEMBLY	1	
F12-17	58900P410000	CUSHION CABLE ASSEMBLY I	1	
F12-18	08010P060000	GROUNDING BOLT ASSEMBLY M6×16	3	

F13 单撑总成 SIDE STAND ASSY.



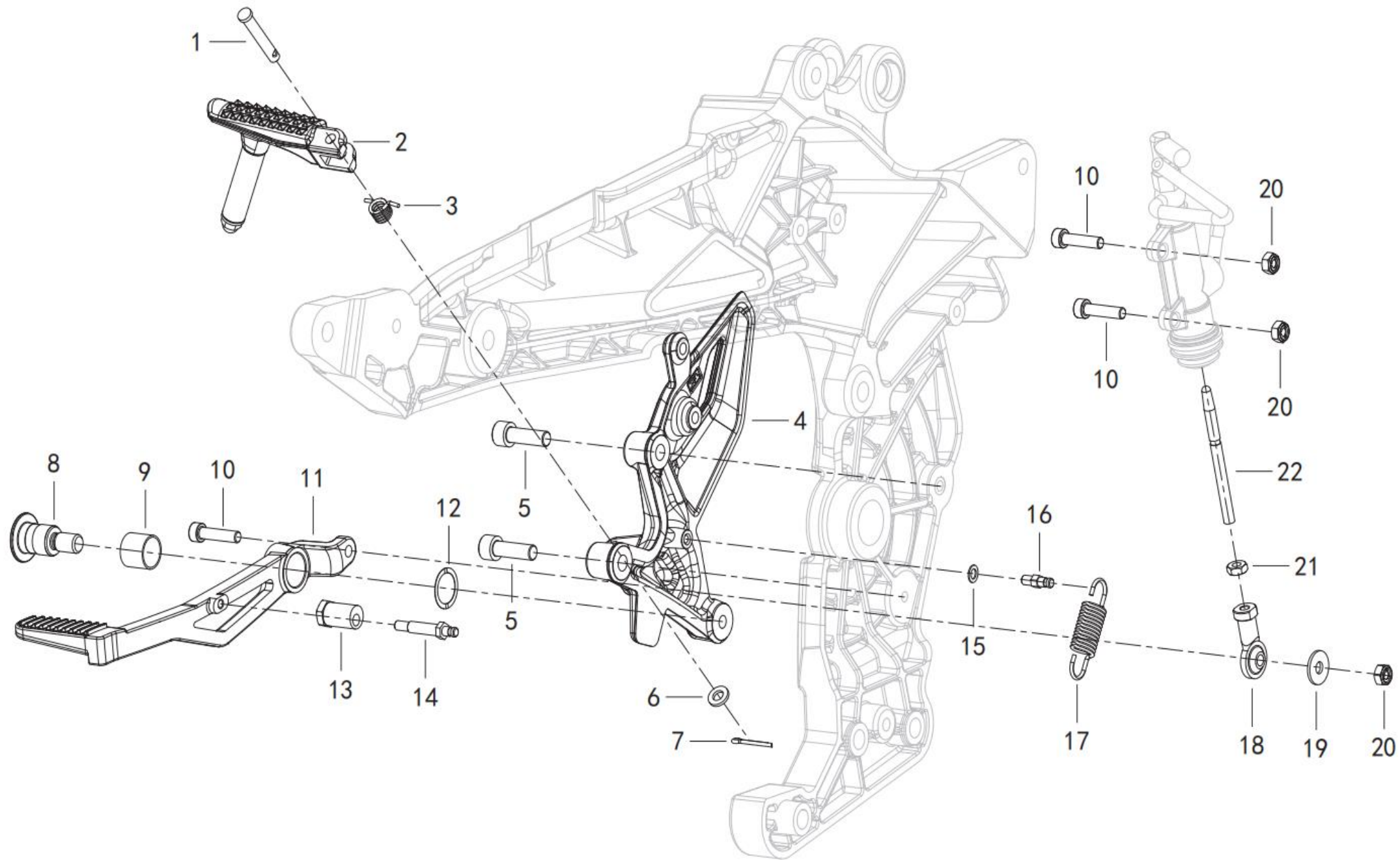
NO.	CODE	EN DESCRIPTION	QTY	REMARKS
F13-01	57005P280001	SINGLE SUPPORT MOUNTING SCREW	1	
F13-02	58701P410000	SINGLE SUPPORT	1	
F13-03	57004P160000	SINGLE SUPPORT INNER SPRING	1	
F13-04	57003P160000	SINGLE SUPPORT OUTER SPRING	1	
F13-05	B0226050146S	HEXAGON SOCKET HEAD CAP SCREW M5×14	2	
F13-06	91170N070100	SWITCH ,FLAMEOUT,SIDE STAND	1	
F13-07	57405P280002	MOUNTING BRACKET, SIDE STAND	1	
F13-08	B07000001204	SPRING WASHER Φ12	1	
F13-09	B04031212514	THIN NUT M12×1.25	1	
F13-10	B0703000100H	WASHER 10	2	
F13-11	B0226100456S	HEX SOCKET TORX CHEESE HEAD SCREW M10×45	1	
F13-12	B0226100656S	HEXAGON SOCKET HEAD CAP SCREW M10×65	1	

F14 踏蹬总成 PEDALING ASSY.



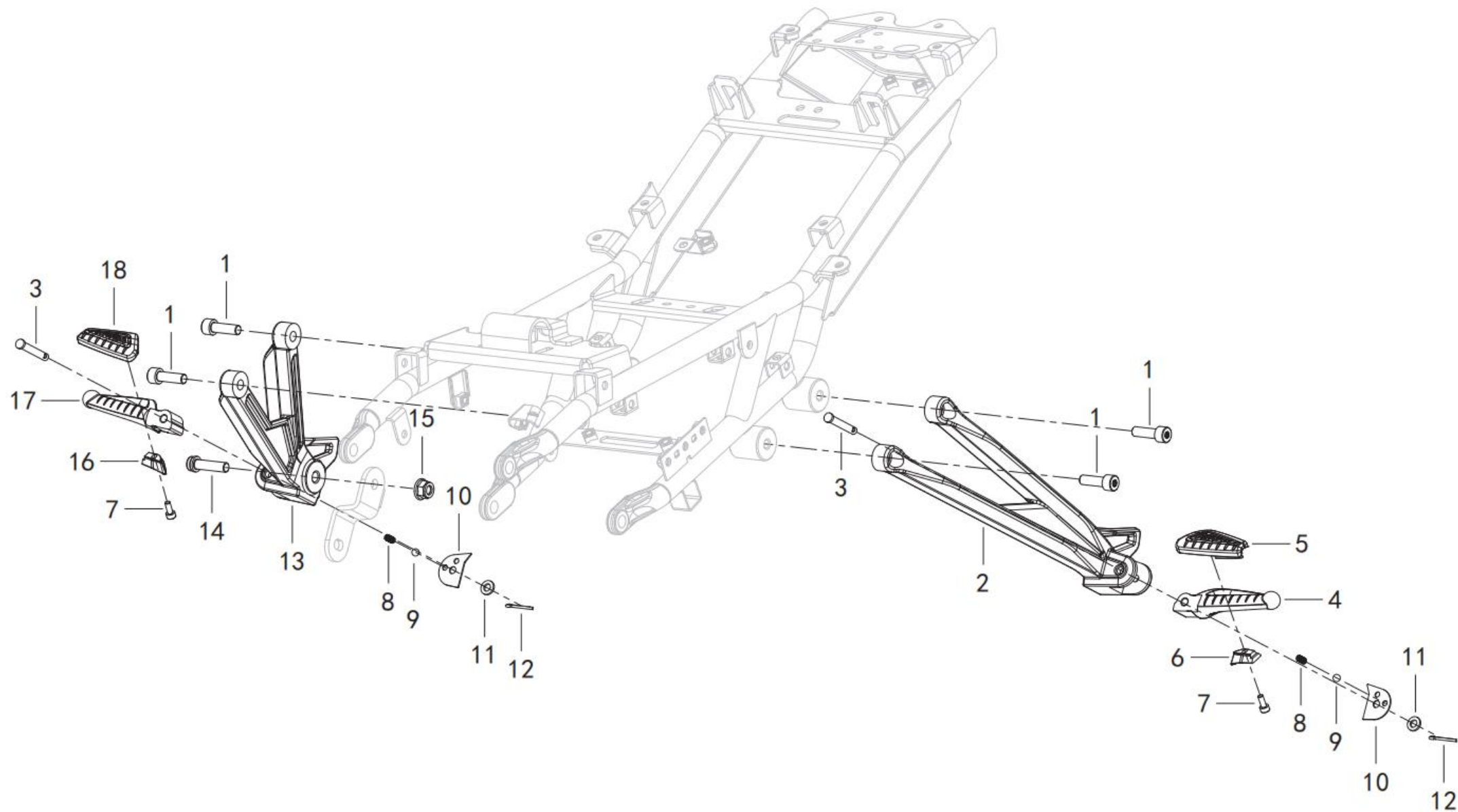
NO.	CODE	EN DESCRIPTION	QTY	REMARKS
F14-01	58226P620000	LEFT FRONT PEDAL SUPPORT	1	
F14-02	B0226080256S	HEX SOCKET TORX CHEESE HEAD SCREW M8×25	2	
F14-03	58217P100000	PEDAL MOUNTING PIN	1	
F14-04	58220P620000	LEFT FRONT PEDAL ASSEMBLY	1	
F14-05	58222S010100	PEDAL SPRING	1	
F14-06	B0703000060H	WASHER Ø6	1	
F14-07	B090002018AH	COTTER PIN Ø2×18	1	
F14-08	08373P250301	SHIFT LEVER MOUNTING SCREW	1	
F14-09	58511S010000	SELF LUBRICATING BUSHING	1	
F14-10	08380P250012	PEDAL AS-SHIFT	1	
F14-11	58216S010000	WASHER	1	
F14-12	B0226060306S	HEX SOCKET TORX CHEESE HEAD SCREW M6×30	1	
F14-13	40706S040000	M6 LEFT SECTION HEAD	1	
F14-14	B0702000060G	FLAT WASHER Ø6	2	
F14-15	B04810600052	NUT M6	2	
F14-16	08051S040010	LEFT NUT M6	1	
F14-17	08371P620000	SHIFT LINKAGE	1	
F14-18	B04800600052	NUT M6-8-ZG	1	
F14-19	08375S010000	NODAL HEAD	1	
F14-20	160306030100	HEXAGON INNER RING BOLT M6×45	1	
F14-21	08376P250010	SPACER	1	
F14-22	08381P910010	SHIFT LEVER MOUNTING BASE	1	
F14-23	B0226060166S	HEX SOCKET TORX CHEESE HEAD SCREW M6×16	1	

F15 踏蹬总成II PEDALING ASSY.



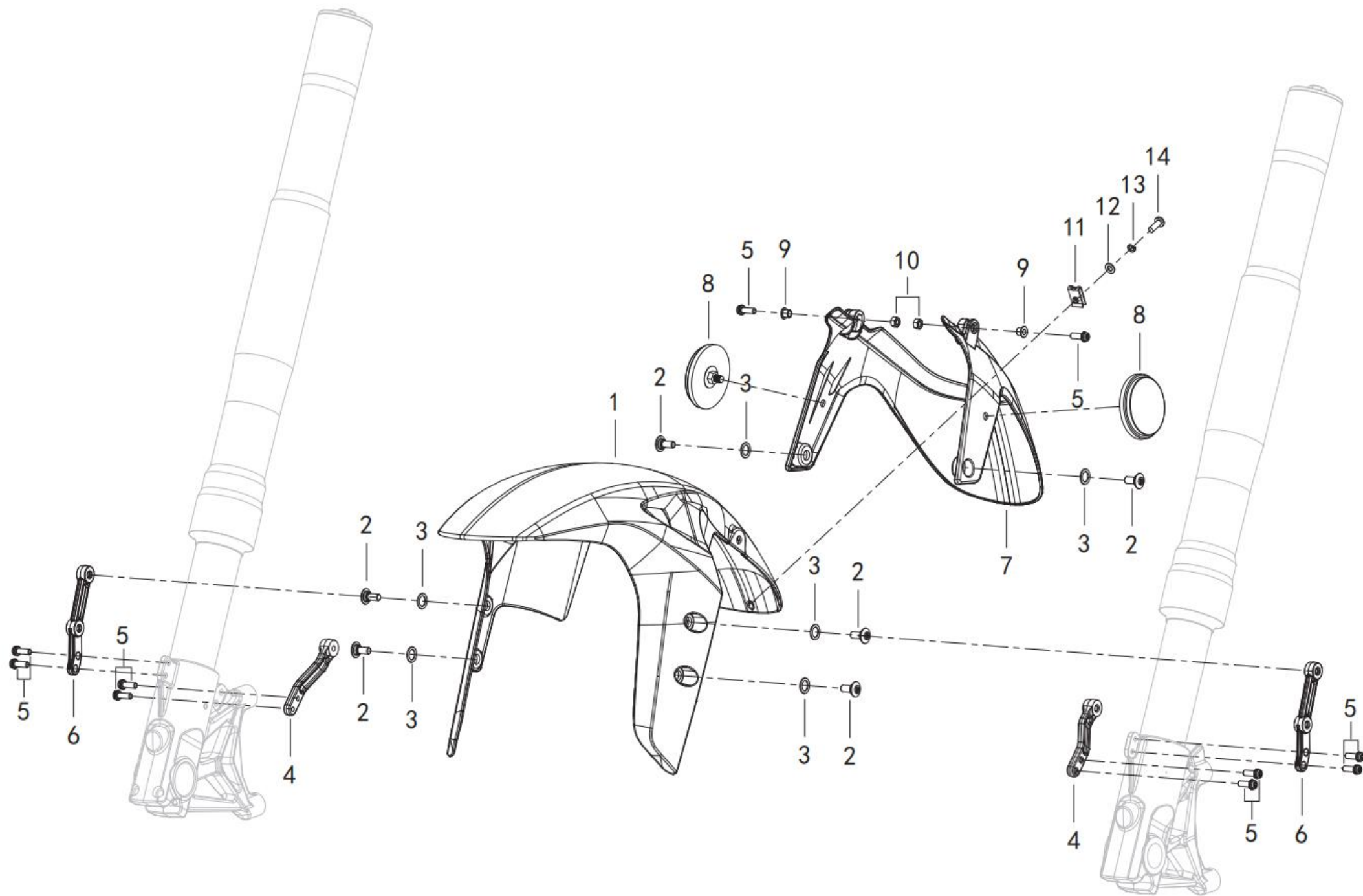
NO.	CODE	EN DESCRIPTION	QTY	REMARKS
F15-01	58217P100000	PEDAL MOUNTING PIN	1	
F15-02	58240P620000	FRONT RIGHT PEDAL ASSEMBLY	1	
F15-03	58222S010100	PEDAL SPRING	1	
F15-04	58246P620000	RIGHT FRONT PEDAL SUPPORT	1	
F15-05	B0226080256S	HEX SOCKET TORX CHEESE HEAD SCREW M8×25	2	
F15-06	B0703000060H	WASHER Ø6	1	
F15-07	B090002018AH	COTTER PIN Ø2×18	1	
F15-08	40706P250201	REAR BRAKE PEDAL MOUNTING SCREW	1	
F15-09	58511S010000	SELF LUBRICATING BUSHING	1	
F15-10	B0226060256S	HEX SOCKET TORX CHEESE HEAD SCREW M6×25	3	
F15-11	40712P250011	REAR BRAKE PEDAL	1	
F15-12	58216S010000	WASHER	1	
F15-13	40705P250000	ECCENTRIC PUSH ROD	1	
F15-14	40717P250001	LOWER SPRING PIN	1	
F15-15	B07800000502	GASKET 5,3×10×1 ZG	1	
F15-16	40273P250000	UPPER SPRING PIN	1	
F15-17	40702P250000	BRAKE PEDAL RETURN SPRING	1	
F15-18	40283S010000	JOINT M6	1	
F15-19	B0702000060G	FLAT WASHER Ø6	1	
F15-20	B04810600052	NUT M6×1	3	
F15-21	B04020600018	THIN NUT M6	1	
F15-22	55061P250005	FOOT PUMP PLUNGER SCREW	1	

F16 踏蹬总成Ⅲ PEDALING ASSY.



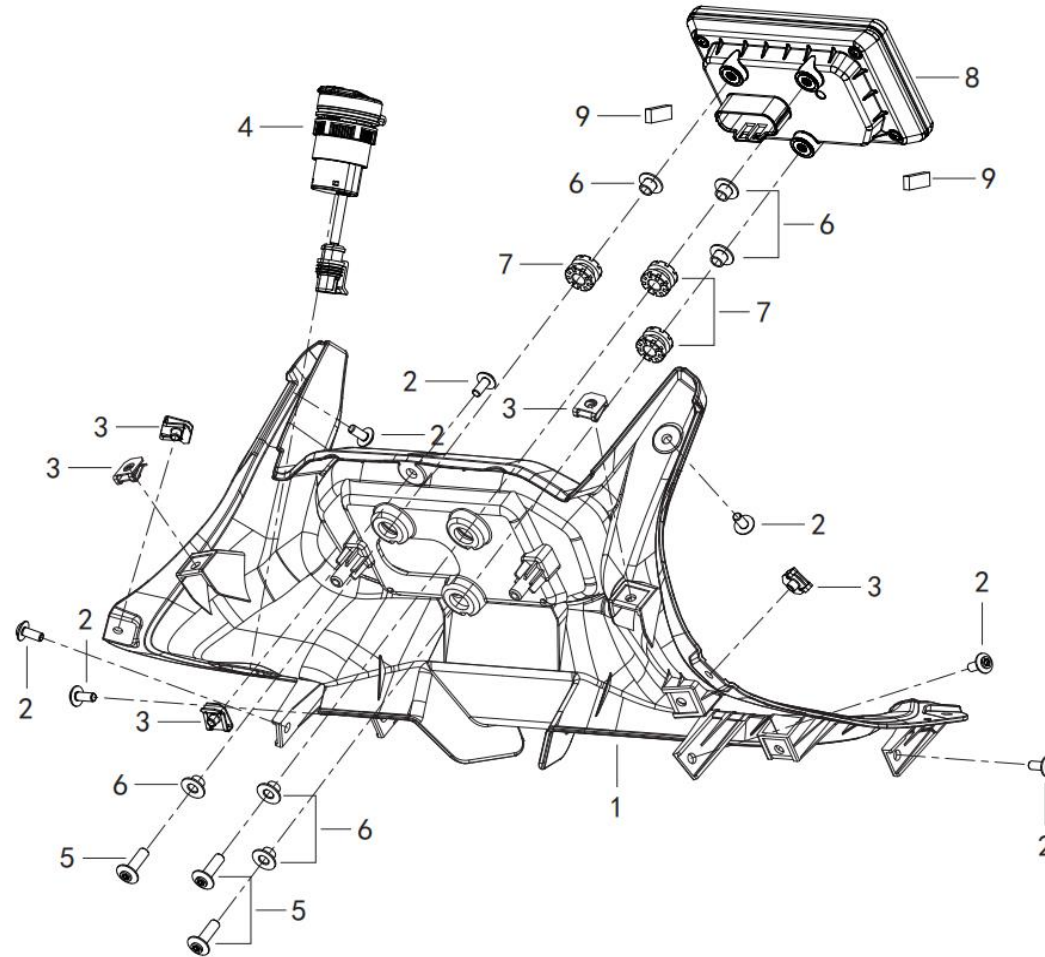
NO.	CODE	EN DESCRIPTION	QTY	REMARKS
F16-01	B0226080256S	HEXAGON SOCKET HEAD CAP SCREW M8×25	4	
F16-02	58266P250010	LEFT PEDAL AFTER STENT	1	
F16-03	58217P100000	PEDAL MOUNTING PIN	2	
F16-04	58266P910010	LEFT PEDAL	1	
F16-05	08352S020000	LEFT PEDAL RUBBER	1	
F16-06	58205S020000	LEFT PEDAL RUBBER PAD IS	1	
F16-07	B0280040100A	SCREW M4×10	2	
F16-08	58222B930000	PEDAL SPRING	2	
F16-09	B06000002000	PEDAL BALL	2	
F16-10	58451S010000	MOUNTING PLATE, KICK-PEDAL,	2	
F16-11	B0703000060H	WASHER Φ6	2	
F16-12	B090002018AH	COTTER PIN Φ2×18	2	
F16-13	58286PAK0000	RIGHT REAR PEDAL SUPPORT	1	
F16-14	B0226080306S	HEXAGON SOCKET HEAD CAP SCREW M8×30	1	
F16-15	B0417080004H	SELF LOCKING NUT M8	1	
F16-16	58405S020000	RIGHT FOOT PEDAL RUBBER PAD	1	
F16-17	58286P910010	RIGHT REAR PEDAL	1	
F16-18	08372S020000	RIGHT PEDAL RUBBER	1	

F17 前泥板 FRONT FENDER ASSY.



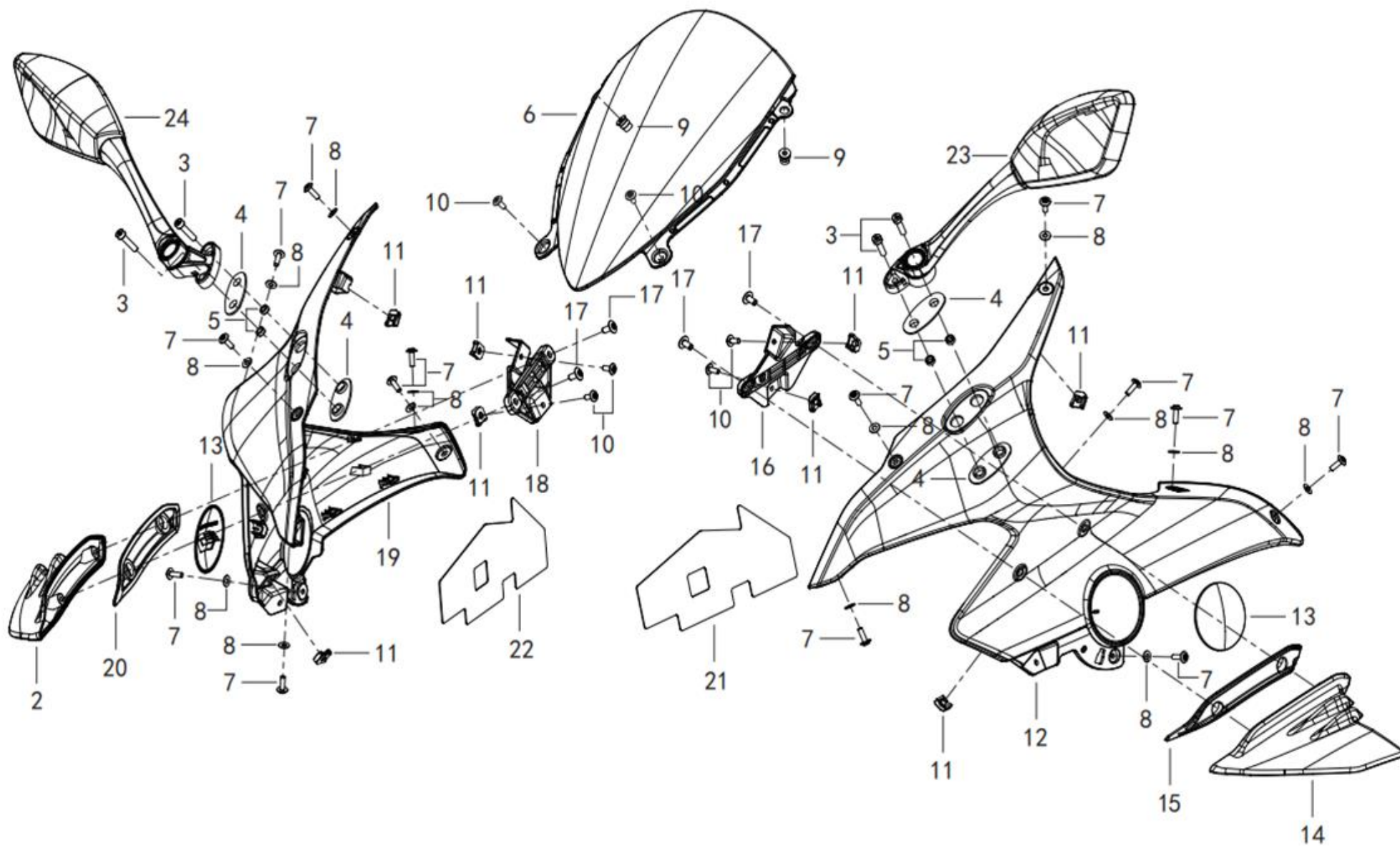
NO.	CODE	EN DESCRIPTION	QTY	REMARKS
F17-01	65101P62BW00	FRONT FENDER, BLACK BW	1	
F17-01	65101P62E700	FRONT FENDER, BLUE E7	1	
F17-02	08003P620100	HEX SOCKET FLOWER FLANGE STEP SCREW M6×15	6	
F17-03	47936S010000	GREY NYLON	4	
F17-04	65151P370100	FRONT MUDBOARD SUPPORT	2	
F17-05	B0226050146S	HEXAGON SOCKET HEAD CAP SCREW M5×14	10	
F17-06	65141S010000	FRONT MUDBOARD MOUNTING PLATE	2	
F17-07	65102P620000	FRONT SMALL FENDER	1	
F17-08	86300J000000	SIDE REFLECTOR	2	
F17-09	65105S040100	T-BUSHING 5×7×6×10×0.8	2	
F17-10	B0400050005H	NUT M5	2	
F17-11	08053G120100	GUARD MOUNTING CLAMP NUT	1	
F17-12	B0703000050A	WASHER Ø5	1	
F17-13	B0700000050A	SPRING WASHER Ø5	1	
F17-14	B0207050126S	HEXAGON SOCKET TORX PAN HEAD SCREW M5×12	1	

F18 仪表托罩 INSTRUMENT COVER ASSY.



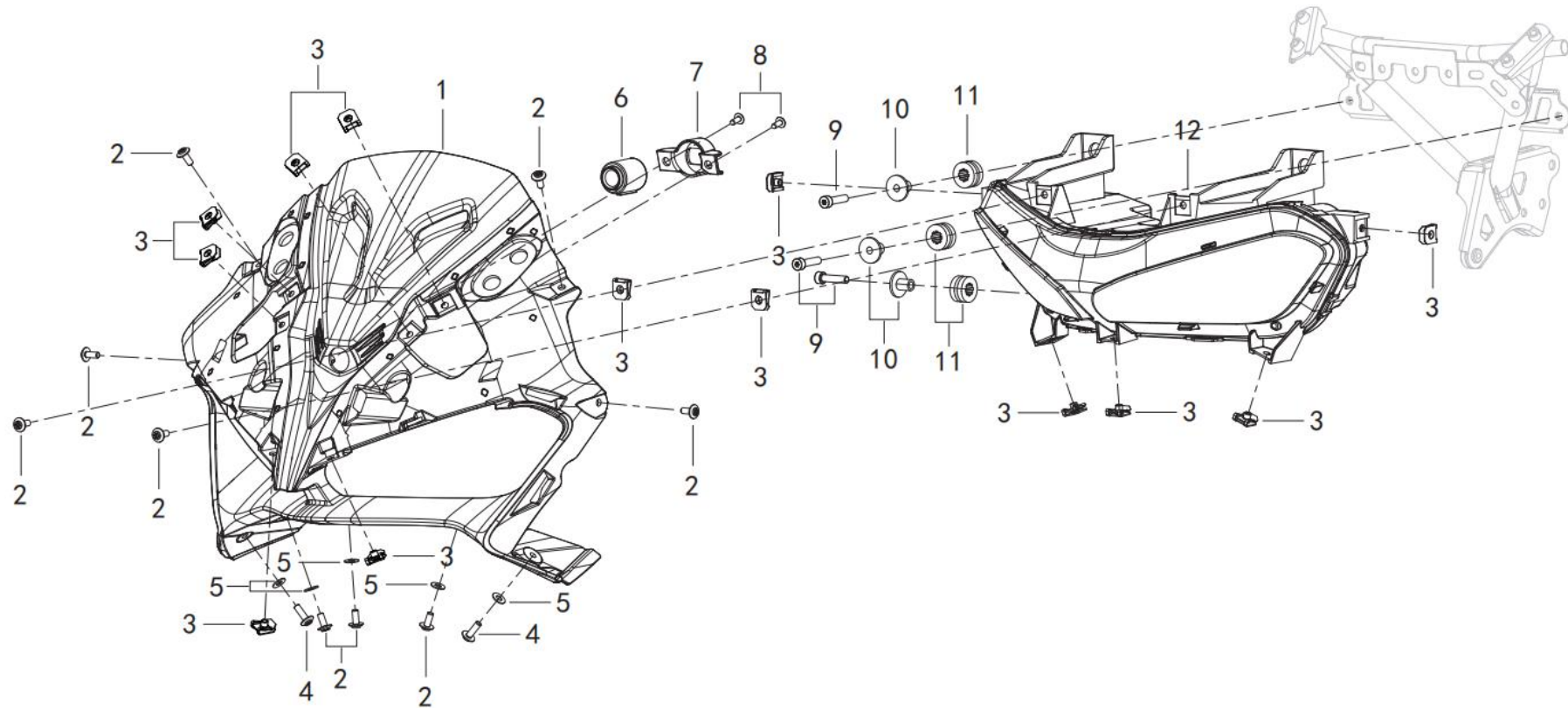
NO.	CODE	EN DESCRIPTION	QTY	REMARKS
F18-01	65202PAK0000	INSTRUMENT MOUNTING PANEL	1	
F18-02	08001P620000	HEXAGON SOCKET FLANGE SCREW M5×12	7	
F18-03	65624P160000	CLIP NUT M5	5	
F18-04	92950L790000	USB	1	
F18-05	08002P620003	HEXAGON SOCKET TORX FLANGE SCREW M6×20	3	
F18-06	82015S010010	BUSHING H6 ZINC	6	
F18-07	70168N290000	INSTRUMENT BUFFER RUBBER	3	
F18-08	70000PAK0005	INSTRUMENT ASSEMBLY	1	
F18-09	50023L420000	TANK SPONGE PAD	2	

F19 导流罩| BRACKET ASSY.



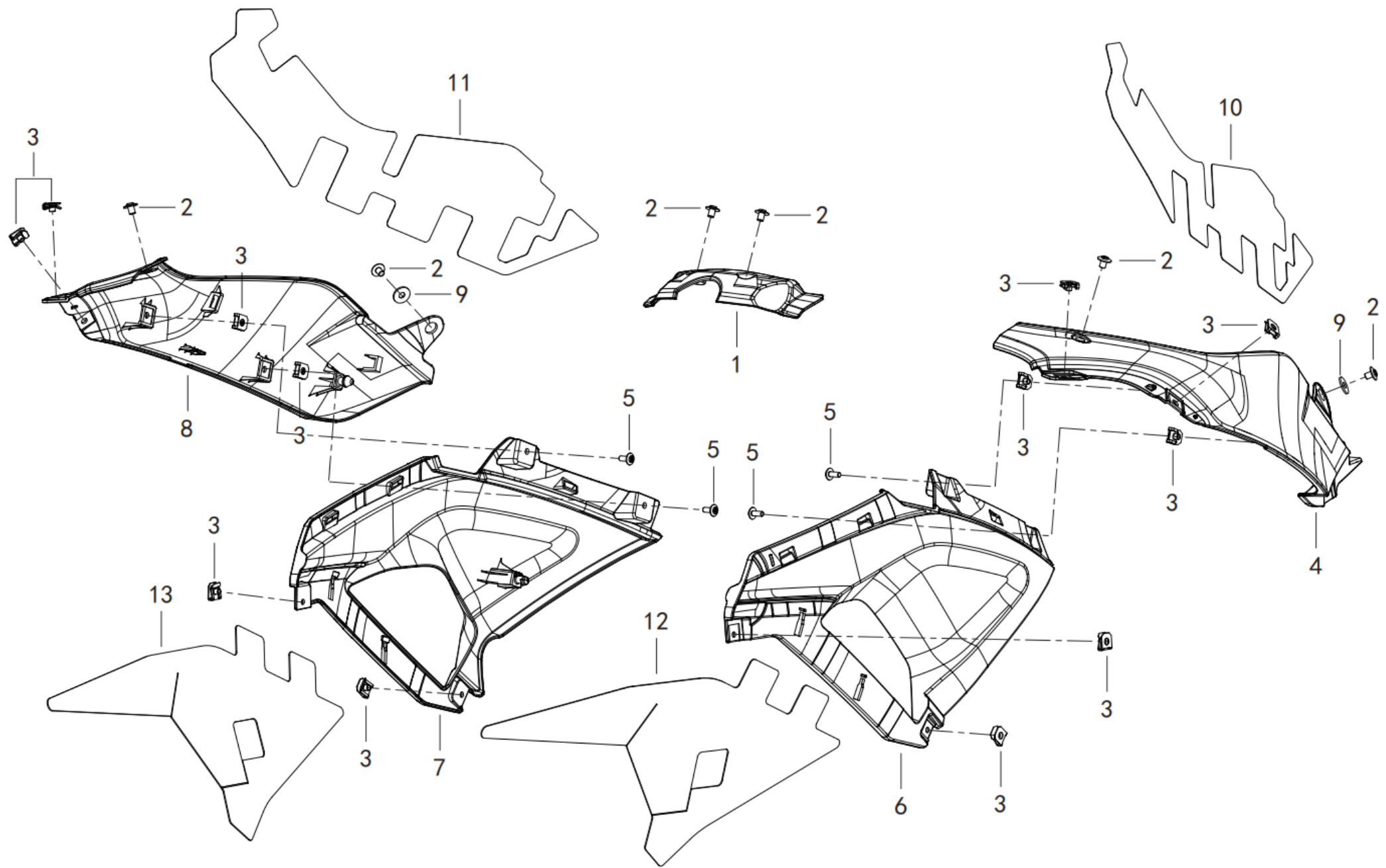
NO.	CODE	EN DESCRIPTION	QTY	REMARKS
F19-02	65682PAK0100	RIGHT FIXED WING	1	
F19-03	B0226060206S	HEX SOCKET TORX CHEESE HEAD SCREW M6×20	4	
F19-04	40011L340000	MIRROR BUFFER RUBBER	4	
F19-05	40047B470100	BUSHING	4	
F19-06	65503PAK0000	WINDSHIELD	1	
F19-07	08001P620001	HEXAGON SOCKET FLOWER FLANGE SCREW M5×16	14	
F19-08	65825PAK0000	WASHER Ø5	14	
F19-09	65570PAK0000	DRUM RUBBER NUT M5	2	
F19-10	08001P620000	HEXAGON SOCKET FLOWER FLANGE SCREW M5×12	6	
F19-11	65624P160000	SNAP NUT M5	8	
F19-12	65501PAK025Z	LEFT TRIM PANEL OF SHROUD, BLACK BW, WITH STICKER	1	
F19-12	65501PAK026Z	LEFT TRIM PANEL OF SHROUD, BLUE E7, WITH STICKER	1	
F19-13	05501P410001	NEW QIANJIANG ACRYLIC ROUND SIGN	2	
F19-14	65681PAK0100	LEFT FIXED WING	1	
F19-15	65804PAK0000	LEFT FIXED WING MOUNTING RUBBER	1	
F19-16	65671PAK0000	LEFT FIXED WING INNER PLATE	1	
F19-17	08002P620001	HEXAGON SOCKET FLOWER FLANGE SCREW M6×12	4	
F19-18	65672PAK0000	INNER PLATE OF RIGHT FIXED WING	1	
F19-19	65502PAK025Z	RIGHT TRIM PANEL OF SHROUD, BLACK BW, WITH STICKER	1	
F19-19	65502PAK026Z	RIGHT TRIM PANEL OF SHROUD, BLUE E7, WITH STICKER	1	
F19-20	65805PAK0000	RIGHT FIXED WING MOUNTING RUBBER	1	
F19-21	65504PAK0000	HEAT INSULATION TIN FOIL ON LEFT DECORATIVE PLATE OF DEFLECTOR	1	
F19-22	65505PAK0000	HEAT INSULATION FOIL ON THE RIGHT DECORATIVE PLATE OF THE DEFLECTOR	1	
F19-23	40450N490000	LEFT REARVIEW MIRROR ASSEMBLY	1	
F19-24	40480N490000	RIGHT REARVIEW MIRROR ASSEMBLY	1	

F20 导流罩II BRACKET ASSY.



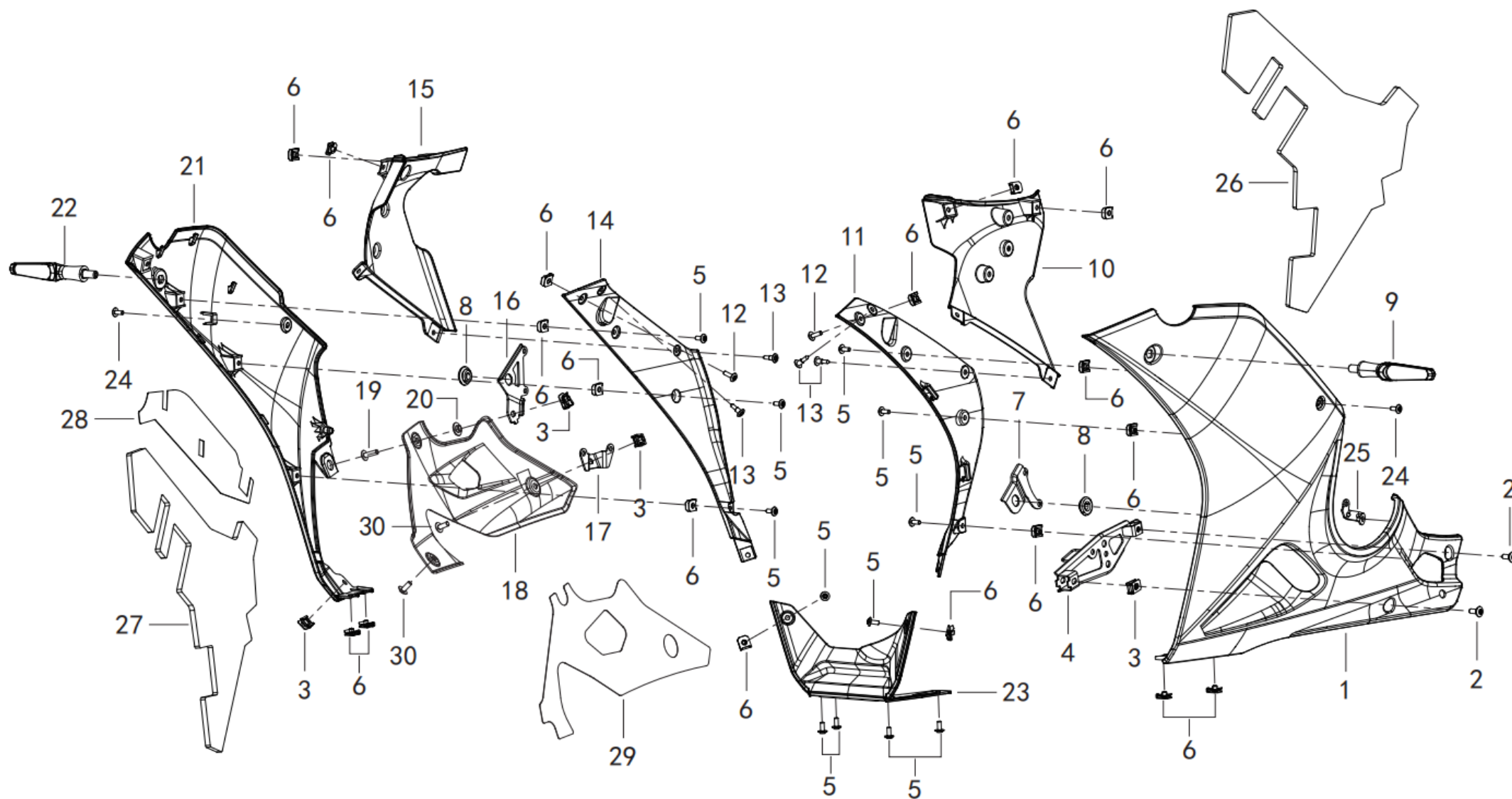
NO.	CODE	EN DESCRIPTION	QTY	REMARKS
F20-01	65304PAK0010	INNER TRIM PANEL OF SHROUD	1	
F20-02	08001P620000	HEXAGON SOCKET FLOWER FLANGE SCREW M5×12	9	
F20-03	65624P160000	SNAP NUT M5	13	
F20-04	08001P620001	HEXAGON SOCKET FLOWER FLANGE SCREW M5×16	2	
F20-05	65825PAK0000	WASHER Ø5	5	
F20-06	65313PAK0000	CAMERA MOUNTING HOLE PLUG	1	
F20-07	65312PAK0000	FRONT CAMERA MOUNTING PLATE	1	
F20-08	B0507350130H	TAPPING SCREWS ST3.5×13	2	
F20-09	B0226060256S	HEX SOCKET TORX CHEESE HEAD SCREW M6×25	3	
F20-10	08251T440000	SPACER SLEEVE FOR NUMBER PLATE SUPPORT	3	
F20-11	08331P620000	HEADLAMP BUFFER RUBBER	3	
F20-12	80000PAK0002	HEADLAMP	1	

F21 油箱护板 TANK PLATE BEFORE ASSY.



NO.	CODE	EN DESCRIPTION	QTY	REMARKS
F21-01	65673PAK0000	OIL TANK FRONT GUARD	1	
F21-02	08002P620000	HEXAGON SOCKET TORX FLANGE SCREW M6×8	6	
F21-03	65624P160000	SNAP NUT M5	12	
F21-04	65675PAK022Z	LEFT FUEL TANK GUARD, BLACK BW, WITH STICKER	1	
F21-04	65675PAK023Z	LEFT FUEL TANK GUARD, BLUE E7, WITH STICKER	1	
F21-05	08001P620000	HEXAGON SOCKET FLOWER FLANGE SCREW M5×12	4	
F21-06	65608PAK020Z	LEFT FOOT PROTECTIVE PLATE DECORATIVE PLATE, BLACK BW, WITH STICKER	1	
F21-06	65608PAK021Z	LEFT FOOT PROTECTIVE PLATE DECORATIVE PLATE, BLUE E7, WITH STICKER	1	
F21-07	65409PAK020Z	RIGHT FOOT PROTECTIVE PLATE DECORATIVE PLATE, BLACK BW, WITH STICKER	1	
F21-07	65409PAK021Z	RIGHT FOOT PROTECTIVE PLATE DECORATIVE PLATE, BLUE E7, WITH STICKER	1	
F21-08	65676PAK022Z	RIGHT GUARD PLATE OF OIL TANK, BLACK BW, WITH STICKER	1	
F21-08	65676PAK023Z	RIGHT GUARD PLATE OF OIL TANK, BLUE E7, WITH STICKER	1	
F21-09	B0702000060G	FLAT WASHER Ø6	2	
F21-10	65677PAK0000	THERMAL INSULATION TIN FOIL PAPER FOR LEFT GUARD PLATE OF OIL TANK	1	
F21-11	65678PAK0000	THERMAL INSULATION TIN FOIL PAPER FOR RIGHT GUARD PLATE OF OIL TANK	1	
F21-12	65609PAK0000	LEFT FOOT GUARD PLATE DECORATIVE PLATE HEAT INSULATION TIN FOIL	2	
F21-13	65611PAK0000	RIGHT FOOT GUARD PLATE DECORATIVE PLATE HEAT INSULATION TIN FOIL	2	

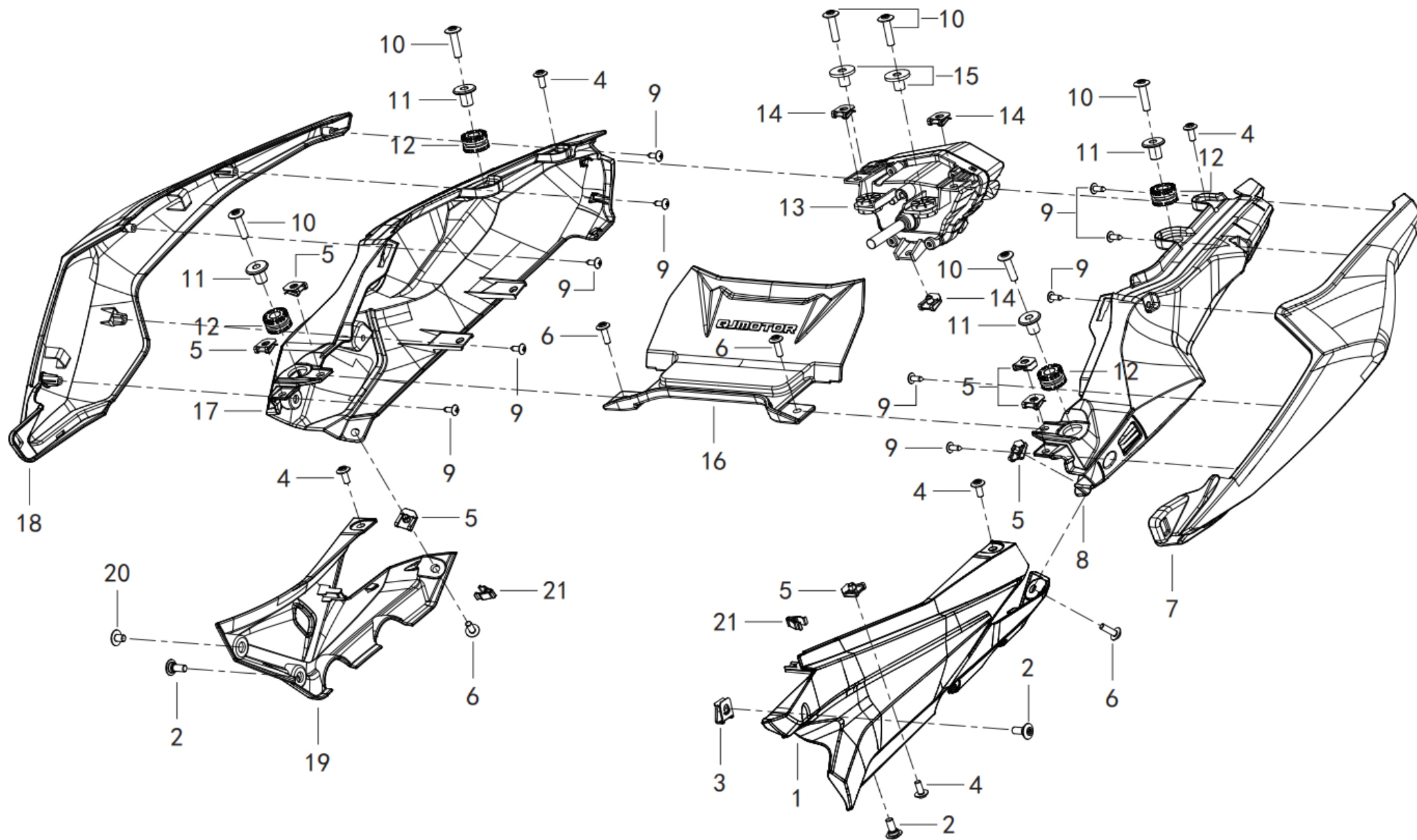
F22 脚防护板 REAR FENDER ASSY.



NO.	CODE	EN DESCRIPTION	QTY	REMARKS
F22-01	65402PAK020Z	LEFT FOOT GUARD BOARD, BLACK BW, WITH STICKER	1	
F22-01	65402PAK021Z	LEFT FOOT GUARD BOARD, BLUE E7, WITH STICKER	1	
F22-02	08003P620000	HEX SOCKET FLOWER FLANGE STEP SCREW M6×15	2	
F22-03	65625J560100	SNAP NUT M6	4	

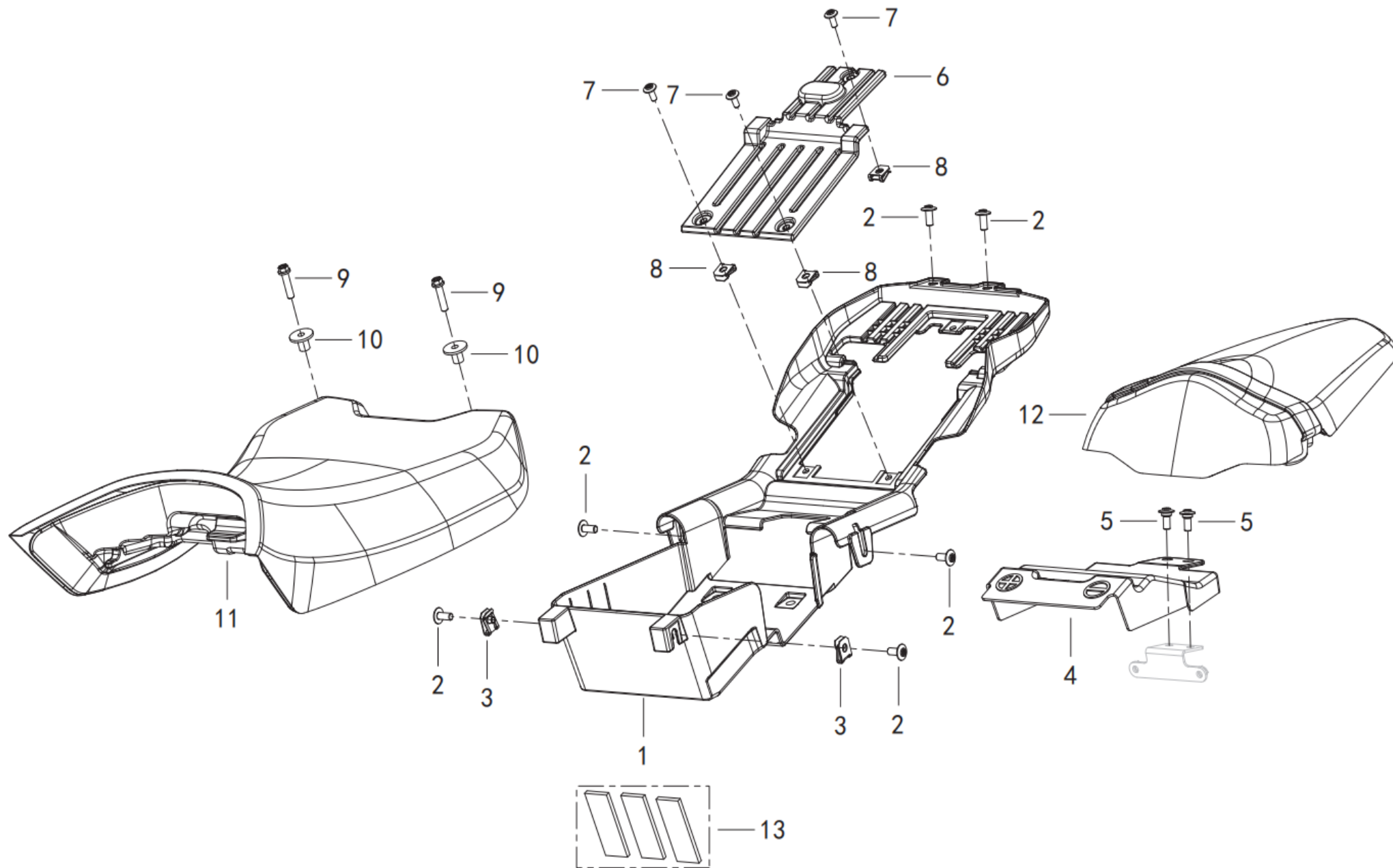
NO.	CODE	EN DESCRIPTION	QTY	REMARKS
F22-04	57980PAK0000	LEFT REAR GUARD BRACKET WELDING ASSEMBLY	1	
F22-05	08001P620100	HEXAGON SOCKET FLOWER FLANGE SCREW M5×12	12	
F22-06	65624P160000	SNAP NUT M5	18	
F22-07	57605PAK0000	LEFT FOOT GUARD MOUNTING PLATE	1	
F22-08	65618P420000	RUBBER PAD III	2	
F22-09	81100PAK0000	REAR LEFT TURN SIGNAL LAMP	1	
F22-10	65317PAK0000	UPPER LEFT INNER GUARD	1	
F22-11	65315PAK0000	LOWER LEFT INNER GUARD	1	
F22-12	08001P620001	HEXAGON SOCKET FLOWER FLANGE SCREW M5×16	2	
F22-13	65850K140000	EXPANSION SCREW ASSEMBLY	4	
F22-14	65316PAK0000	LOWER RIGHT INNER GUARD	1	
F22-15	65318PAK0000	UPPER RIGHT INNER GUARD	1	
F22-16	57606PAK0000	RIGHT FOOT GUARD MOUNTING PLATE	1	
F22-17	57991PAK0000	RIGHT REAR GUARD MOUNTING PLATE	1	
F22-18	65407PAK0100	RIGHT BOTTOM COVER	1	
F22-19	08002P620003	HEXAGON SOCKET FLOWER FLANGE SCREW M6×20	1	
F22-20	08305B400100	BUSHING	1	
F22-21	65422PAK020Z	RIGHT FOOT GUARD BOARD, BLACK BW, WITH STICKER	1	
F22-21	65422PAK021Z	RIGHT FOOT GUARD BOARD, BLUE E7, WITH STICKER	1	
F22-22	81300PAK0000	REAR RIGHT TURN SIGNAL LAMP	1	
F22-23	65605PAK0000	LEFT & RIGHT GUARD TRIM PANEL CONNECTING PLATE	1	
F22-24	08001P620000	HEXAGON SOCKET FLOWER FLANGE SCREW M5×12	2	
F22-25	08002P620002	HEXAGON SOCKET TORX FLANGE SCREW M6×14	2	
F22-26	65441PAK0000	LEFT FOOT GUARD INSULATED FOIL	1	
F22-27	65442PAK0000	RIGHT FOOT GUARD INSULATED FOIL	1	
F22-28	65612PAK0000	RIGHT FOOT PROTECTION PLATE INSULATION TIN FOIL II	1	
F22-29	65438PAK0000	RIGHT BOTTOM COVER THERMAL INSULATION TIN FOIL PAPER	1	

F23 护板| SIDE COVER ASSY.



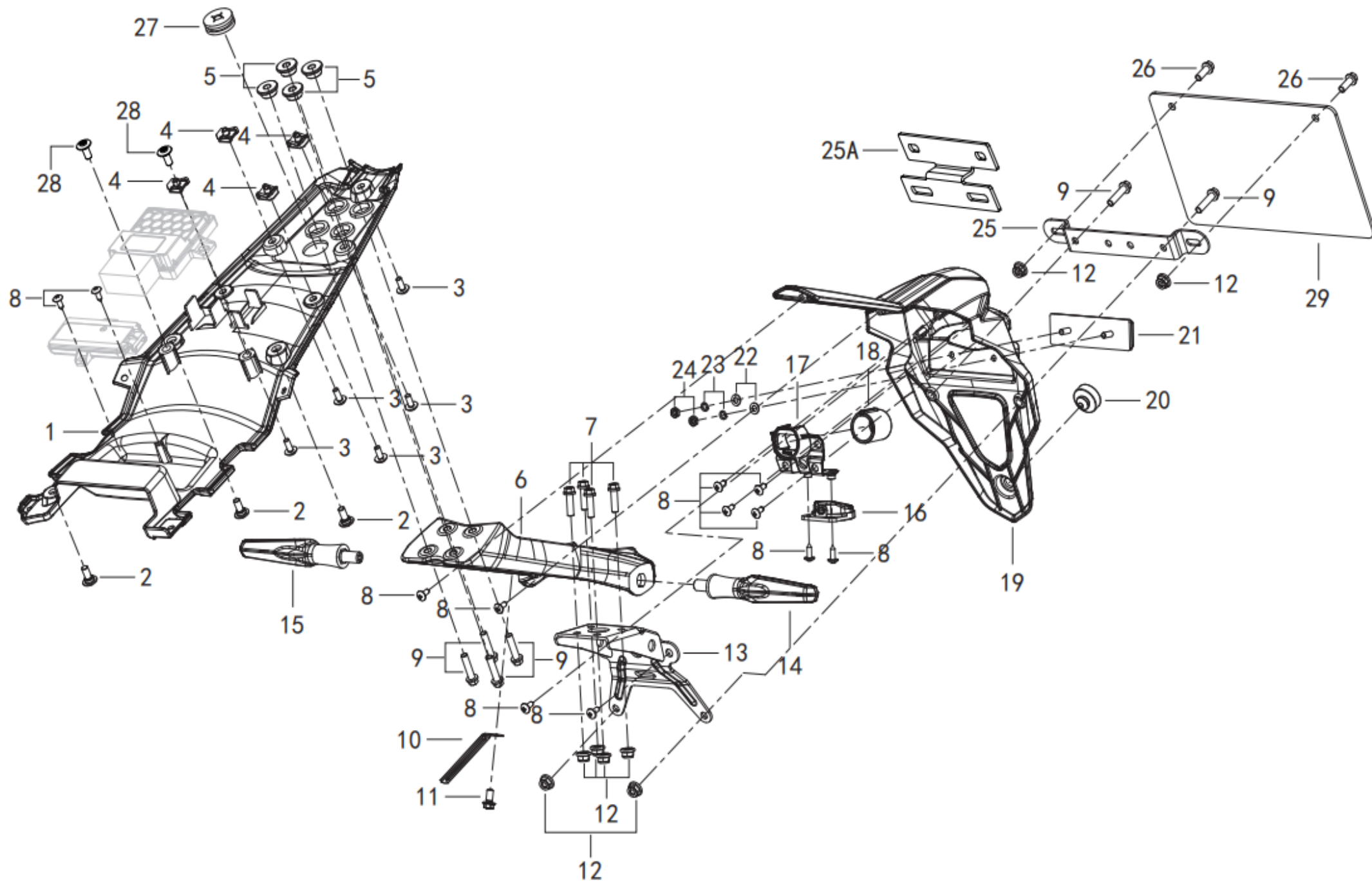
NO.	CODE	EN DESCRIPTION	QTY	REMARKS
F23-01	65601P62BW01	LEFT GUARD PLATE, BLACK BW	1	FOR BLACK AND BLUE BIKE
F23-02	08003P620000	HEX SOCKET FLOWER FLANGE STEP SCREW M6×15	3	
F23-03	65625J560100	SNAP NUT M6	1	
F23-04	08001P620000	HEXAGON SOCKET FLOWER FLANGE SCREW M5×12	5	
F23-05	65624P160000	SNAP NUT M5	10	
F23-06	08001P620001	HEXAGON SOCKET FLOWER FLANGE SCREW M5×16	4	
F23-07	65901P41053Z	LEFT TAIL COVER, BLUE E7, WITH STICKER	1	
F23-07	65901P41054Z	LEFT TAIL COVER, BLACK BW, WITH STICKER	1	
F23-08	65911P620001	LEFT REAR COVER BASE PLATE	1	
F23-09	B0507420130G	TAPPING SCREW ST4.2×13	10	
F23-10	08002P620004	HEXAGON SOCKET TORX FLANGE SCREW M6×25	6	
F23-11	14003S040200	RADIATOR UPPER BUSHING	4	
F23-12	65821S010000	RUBBER BLOCK	4	
F23-13	82000P410000	TAILLIGHT	1	
F23-14	08053G120100	GUARD PLATE MOUNTING CLAMP NUT	3	
F23-15	82018H010100	TAIL LAMP BUSHING	2	
F23-16	65626P410000	SEAT CUSHION CONNECTING PLATE	1	
F23-17	65912P620001	RIGHT REAR COVER BASE PLATE	1	
F23-18	65902P41053Z	RIGHT TAIL COVER, BLACK BW, WITH STICKER	1	
F23-18	65902P41054Z	RIGHT TAIL COVER, BLACK BW, WITH STICKER	1	
F23-19	65602P62BW01	RIGHT FRONT GUARD, BLACK BW	1	FOR BLACK AND BLUE BIKE
F23-20	08002P620000	HEXAGON SOCKET TORX FLANGE SCREW M6×8	1	
F23-21	96037D350000	PLASTIC CLIP	3	

F24 护板II SIDE COVER ASSY.



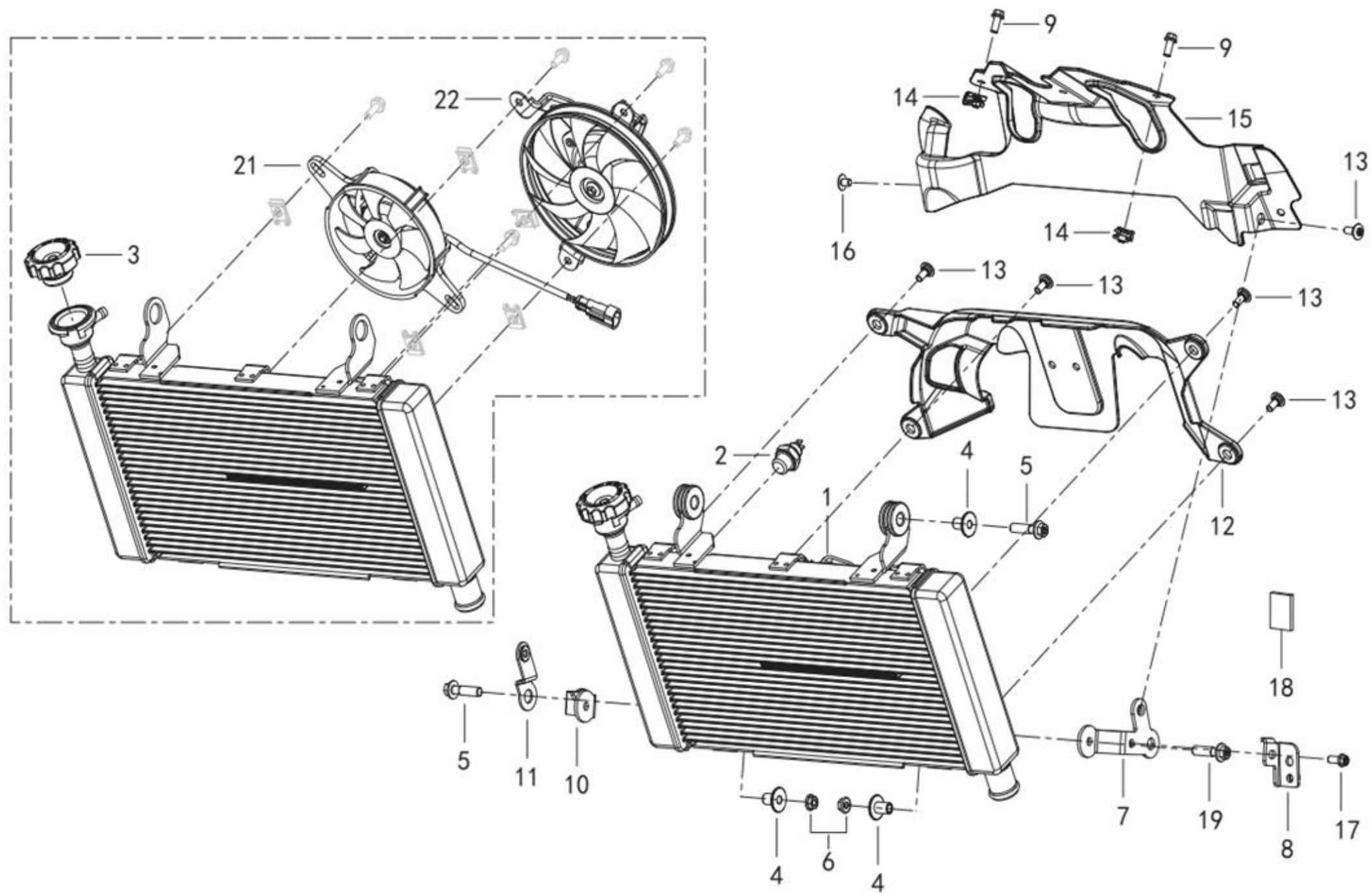
NO.	CODE	EN DESCRIPTION	QTY	REMARKS
F24-01	65810P620001	BATTERY BOX ASSEMBLY	1	
F24-02	08002P620002	HEXAGON SOCKET TORX FLANGE SCREW M6×14	6	
F24-03	65625J560100	SNAP NUT M6	2	
F24-04	65814P410000	BATTERY DUST COVER	1	
F24-05	08003P620000	HEX SOCKET FLOWER FLANGE STEP SCREW M6×15	2	
F24-06	65813P410000	BATTERY BOX COVER	1	
F24-07	08001P620000	HEXAGON SOCKET FLOWER FLANGE SCREW M5×12	3	
F24-08	65624P160000	SNAP NUT M5	3	
F24-09	160306030050	HEXAGON INNER RING BOLT M6×25	2	
F24-10	08251T440000	SPACER SLEEVE FOR NUMBER PLATE SUPPORT	2	
F24-11	51100P620001	FRONT SEAT CUSHION ASSEMBLY	1	
F24-12	51200P620010	CUSHION AS-REAR SEAT	1	
F24-13	65814H350000	BATTERY SPONGE CUSHION I	3	

F25 后泥板 FENDER ASSY.



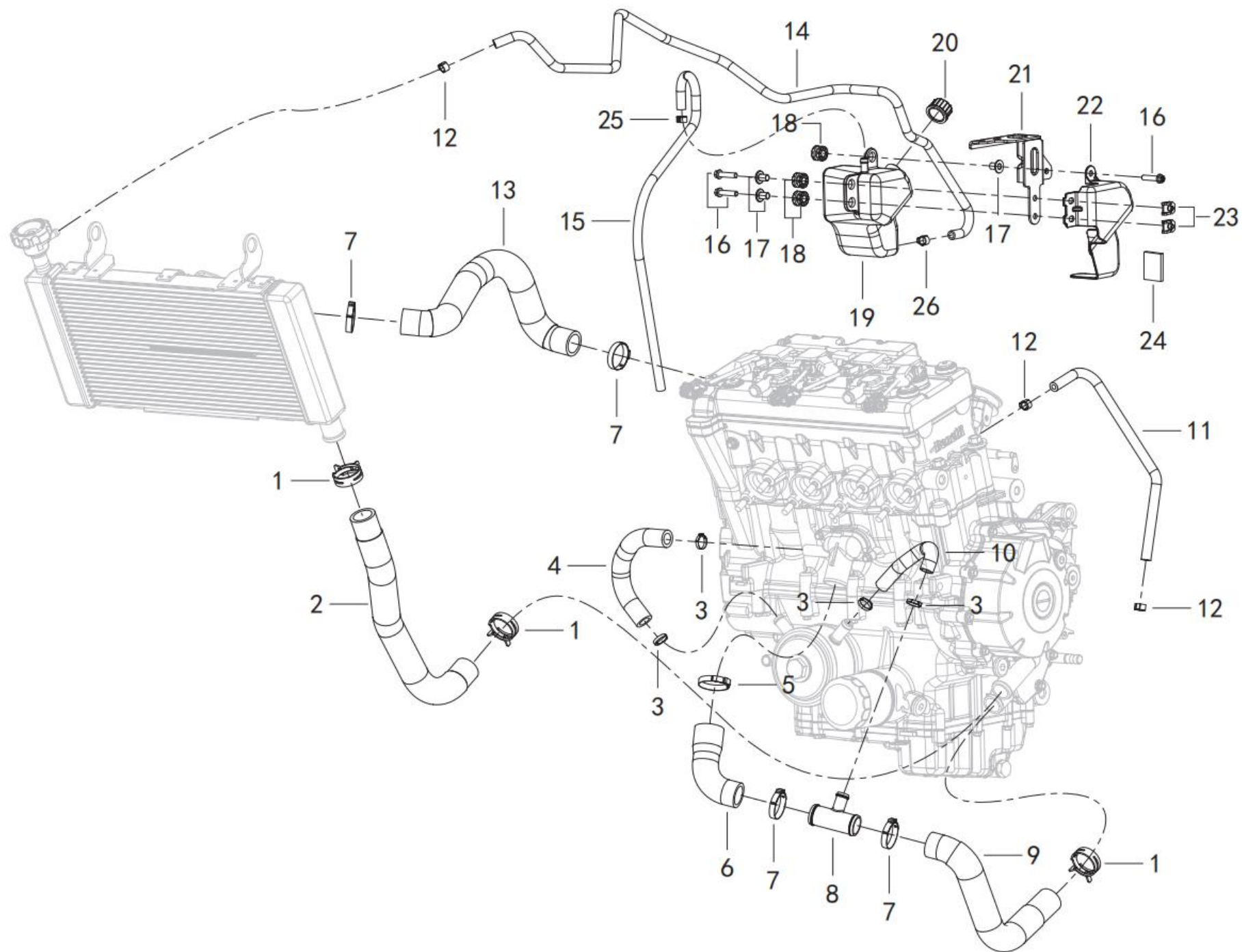
NO.	CODE	EN DESCRIPTION	QTY	REMARKS
F25-01	65730P620001	FRONT ASSEMBLY OF REAR FENDER	1	
F25-02	08003P620000	HEX SOCKET FLOWER FLANGE STEP SCREW M6×15	3	
F25-03	08001P620000	HEX SOCKET FLOWER FLANGE SCREW M5×12	5	
F25-04	65624P160000	SNAP NUT M5	4	
F25-05	65711L430000	REAR UPPER MUDBOARD SPACER	4	
F25-06	08252PAK0000	REAR LICENSE PLATE SUPPORT I	1	
F25-07	160306030030	HEXAGON TORX BOLT M6×20	4	
F25-08	B0507420130G	TAPPING SCREW ST4.2×13	12	
F25-09	160306030050	HEXAGON INNER RING BOLT M6×25	6	
F25-10	58430J000000	CLAMP ASSEMBLY	1	
F25-11	160306030010	HEXAGON TORX BOLT M6×12	1	
F25-12	B0417060004H	NUT M6	8	
F25-13	08257PAK0000	REAR LICENSE PLATE BRACKET MOUNTING PLATE	1	
F25-14	81500PAK0000	REAR LEFT TURN SIGNAL LAMP	1	
F25-15	81700PAK0000	REAR RIGHT TURN SIGNAL LAMP	1	
F25-16	82900N490000	LICENSE PLATE LAMP	1	
F25-17	65913PAK0000	REAR CAMERA MOUNTING PLATE	1	
F25-18	65313PAK0000	CAMERA MOUNTING HOLE PLUG	1	
F25-19	65705PAK0000	REAR LICENSE PLATE	1	
F25-20	51103V030000	CUSHION CUSHION RUBBER RING	1	
F25-21	86500B720001	REAR REFLECTOR	1	
F25-22	B0703000050H	FLAT WASHER Ø5	2	
F25-23	B0700000050A	SPRING WASHER Ø5	2	
F25-24	B0402050001H	HEXAGON THIN NUT M5	2	
F25-25	08252V020000	REAR LICENSE PLATE MOUNTING PLATE	1	
F25-26	160306030020	HEXAGON TORX BOLT M6×16	2	
F25-27	65713H160000	REAR FENDER RUBBER PAD I	1	
F25-28	08002P620002	HEXAGON SOCKET TORX FLANGE SCREW M6×14	2	

F26 冷却系统| COOLING SYSTEM ASSY.



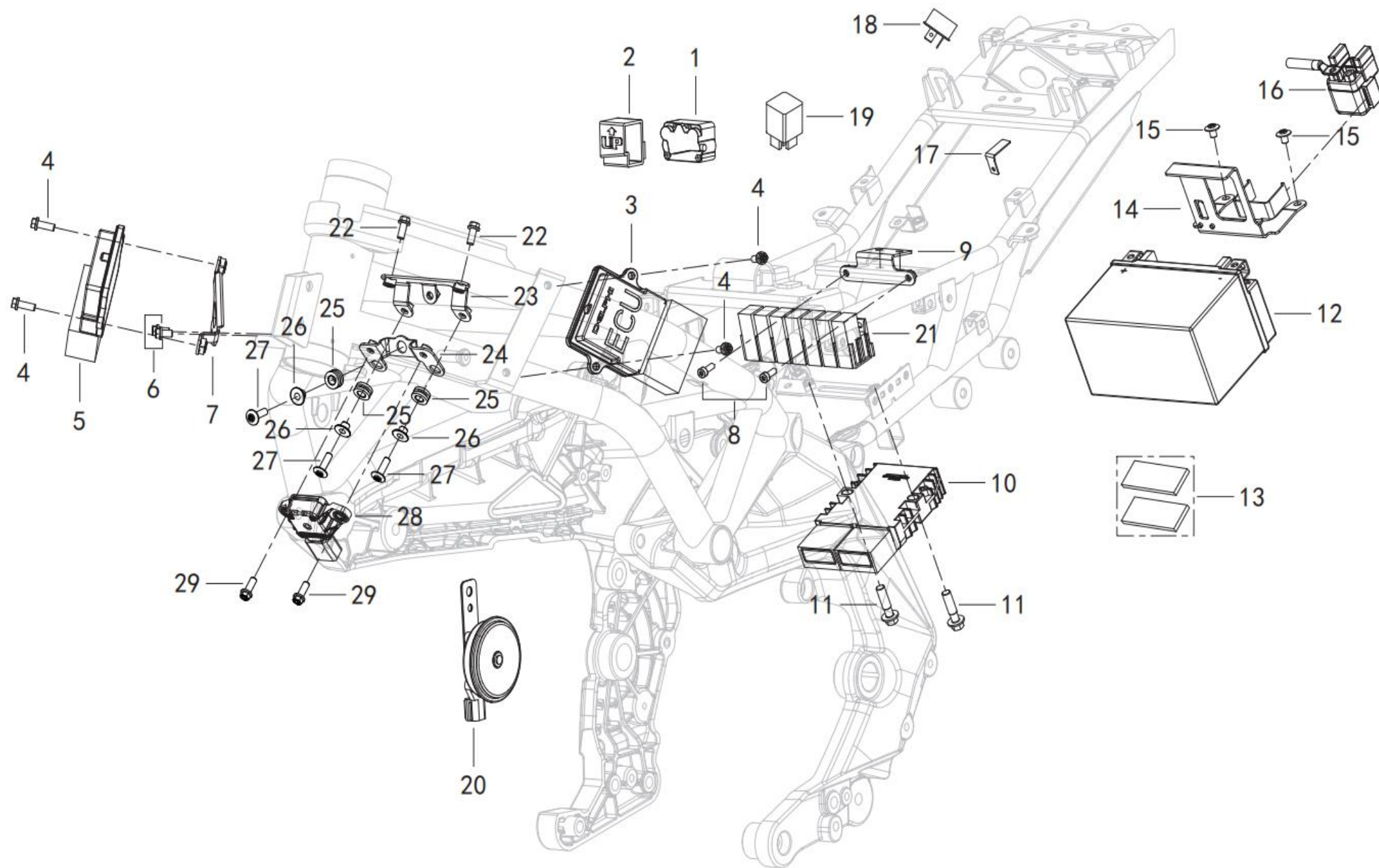
NO.	CODE	EN DESCRIPTION	QTY	REMARKS
F26-01	279126030050	WATER TANK ASSEMBLY	1	
F26-02	279115050003	WATER OUTLET TEMPERATURE SWITCH ASSEMBLY	1	
F26-03	270265050000	FILLER CAP SUBASSEMBLY	1	
F26-04	59452P250100	RADIATOR MOUNTING SPACER	3	
F26-05	160306030070	HEXAGON TORX BOLT M6×30	3	
F26-06	B0407060005H	HEXAGON FLANGE NUT M6	2	
F26-07	59510P620000	BRACKET AS-LEFT RADIATOR	1	
F26-08	59445PAK0000	HORN MOUNTING BASE	1	
F26-09	08013P620002	HEXAGON SOCKET HEXAGON FLANGE BOLT M6×14	3	
F26-10	59490P410000	RADIATOR LOWER RIGHT BRACKET ASSEMBLY	1	
F26-11	59520P620000	RIGHT SUPPORT WELDING ASSY OF HEAT SHIELD	1	
F26-12	65685PAK0000	RADIATOR WIND SHIELD	1	
F26-13	08003P620000	HEX SOCKET FLOWER FLANGE STEP SCREW M6×15	5	
F26-14	65625J560100	CARD NUT M6	2	
F26-15	65691PAK0000	RADIATOR REAR COVER	1	
F26-16	08002P620000	HEXAGON SOCKET TORX FLANGE SCREW M6×8	1	
F26-17	160306030020	HEXAGON TORX BOLT M6×16	1	
F26-18	59447PAK0000	HORN INSULATION BOARD TIN FOIL	1	
F26-19	160306030080	HEXAGON TORX BOLT M6×35	1	
F26-21	279023300001	FAN	1	
F26-22	279026350000	FAN ASSEMBLY 1	1	

F27 冷却系统II COOLING SYSTEM ASSY.



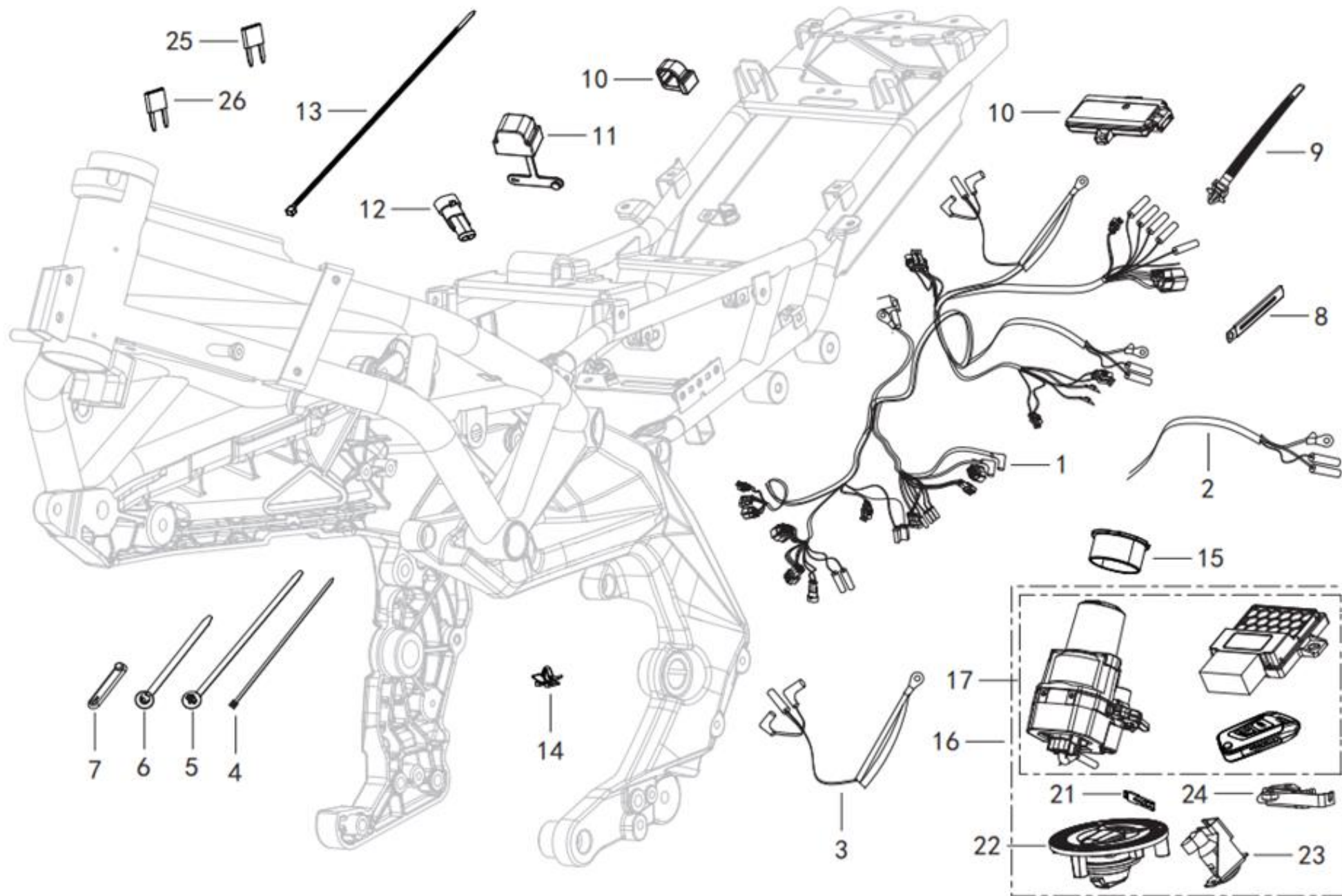
NO.	CODE	EN DESCRIPTION	QTY	REMARKS
F27-01	06103P160100	WATER PIPE PLATE CLAMP Φ32	3	
F27-02	06210P620000	ENGINE WATER INLET PIPE ASSEMBLY I	1	
F27-03	06104P250000	CLAMP 24.1-706R	4	
F27-04	06255P250010	OIL COOLER RETURN PIPE	1	
F27-05	320186090000	CLAMP 036.1-706R0	1	
F27-06	06212P250010	ENGINE WATER INLET PIPE II	1	
F27-07	49650S010000	CLAMP 033.1-706R	4	
F27-08	06214P250001	TEE	1	
F27-09	06220P410000	ENGINE WATER INLET PIPE ASSEMBLY II	1	
F27-10	06215P250010	WATER INLET PIPE OF OIL COOLER	1	
F27-11	06227P250010	CONNECTING PIPE BETWEEN WATER PUMP & WATER JACKET	1	
F27-12	50376S010000	CLAMP Φ10	3	
F27-13	06250P410000	WATER OUTLET PIPE AS-ENGINE	1	
F27-14	06102P620000	RADIATOR OVERFLOW PIPE	1	
F27-15	06101P620000	OUTLET PIPE OF EXPANSION KETTLE	1	
F27-16	160306030050	HEXAGON INNER RING BOLT M6×25	3	
F27-17	65517K320010	SHROUD SPACER	3	
F27-18	70168N290000	INSTRUMENT BUFFER RUBBER	3	
F27-19	06111P410000	EXPANSION KETTLE	1	
F27-20	06113P180000	EXPANSION KETTLE COVER	1	
F27-21	06150P410001	KETTLE SUPPORT WELDING ASSEMBLY	1	
F27-22	06112P410000	DECORATIVE COVER OF EXPANSION KETTLE	1	
F27-23	65625J560100	CARD NUT M6	2	
F27-24	58752J00000A	BATTERY SPONGE PAD	1	
F27-25	50306J690000	BAND 13.3-706R	1	
F27-26	50306T450300	PLATE CARD HOOP	1	

F28 电器 | ELECTRICAL EQUIPMENT ASSY.



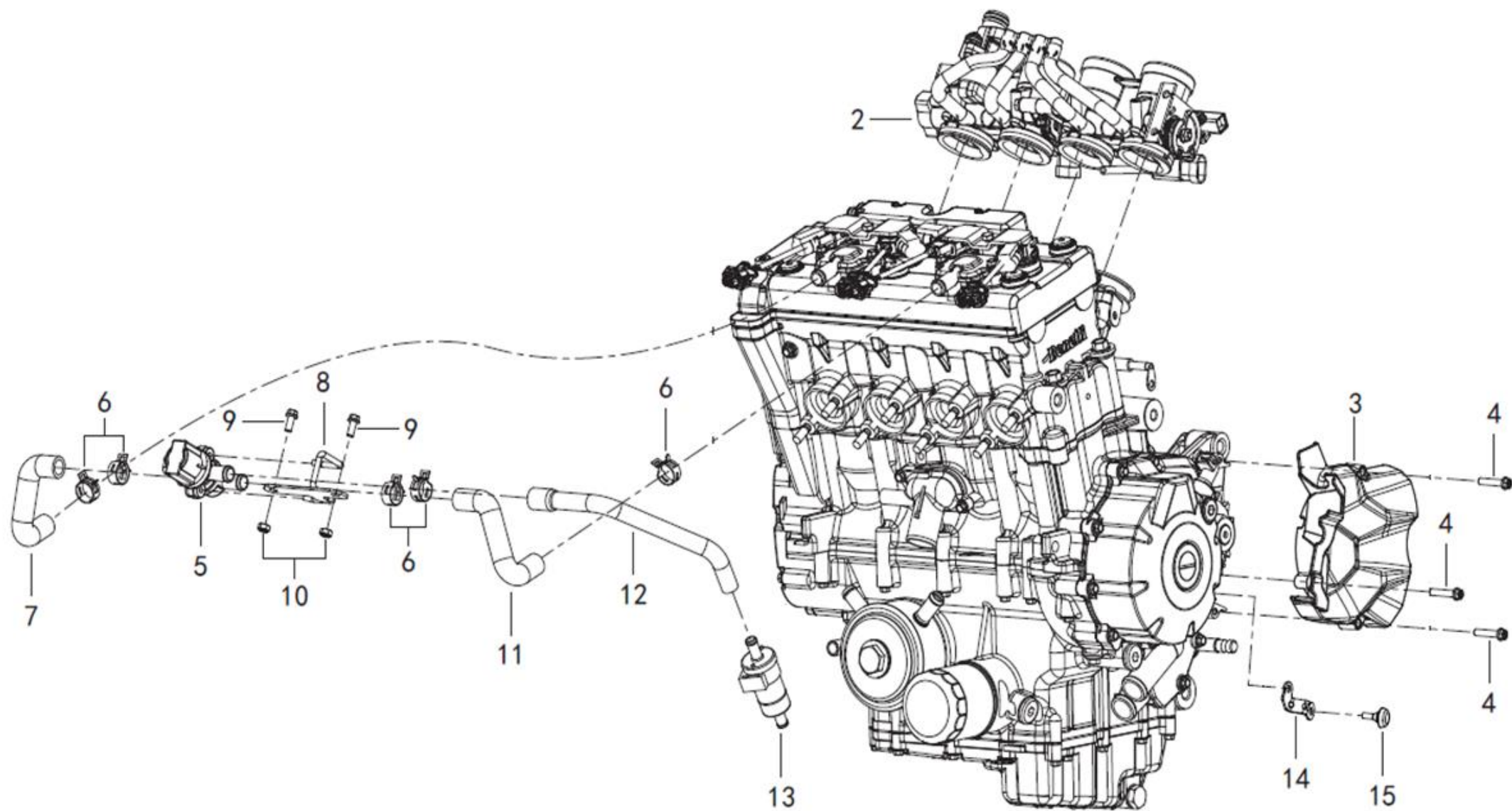
NO.	CODE	EN DESCRIPTION	QTY	REMARKS
F28-01	91210N300000	ROLLOVER SWITCH	1	
F28-02	98901S010000	SENSOR RUBBER	1	
F28-03	96C00U358900	ECU	1	
F28-04	08013P620002	HEXAGON SOCKET HEXAGON FLANGE BOLT M6×14	4	
F28-05	96C00U358800	ECU	1	
F28-06	08013P620000	HEXAGON SOCKET HEXAGON FLANGE BOLT M6×10	2	
F28-07	58950P410000	RIGHT ECU MOUNTING BASE	1	
F28-08	B0226050146S	HEXAGON SOCKET HEAD CAP SCREW M5×14	2	
F28-09	59470P410000	RELAY GROUP MOUNTING BASE	1	
F28-10	299066570000	RECTIFIER	1	
F28-11	160306030050	HEXAGON TORX BOLT M6×25	2	
F28-12	AC-YT12A-BS (HW)	BATTERY	1	
F28-13	58752P250000	BATTERY SPONGE PAD	5	
F28-14	58820P410000	BATTERY PRESSING PLATE ASSEMBLY	1	
F28-15	08002P620000	HEXAGON SOCKET TORX FLANGE SCREW M6×8	2	
F28-16	94000S010000	START RELAY	1	
F28-17	57088P250000	FUSE BOX MOUNTING PLATE	1	
F28-18	96700K060000	STARTING DIODE	3	
F28-19	96400P930001	FLASHER	1	
F28-20	95100P180011	HORN	1	
F28-21	92039S010000	RELAY	7	

F29 电器II ELECTRICAL EQUIPMENT ASSY.



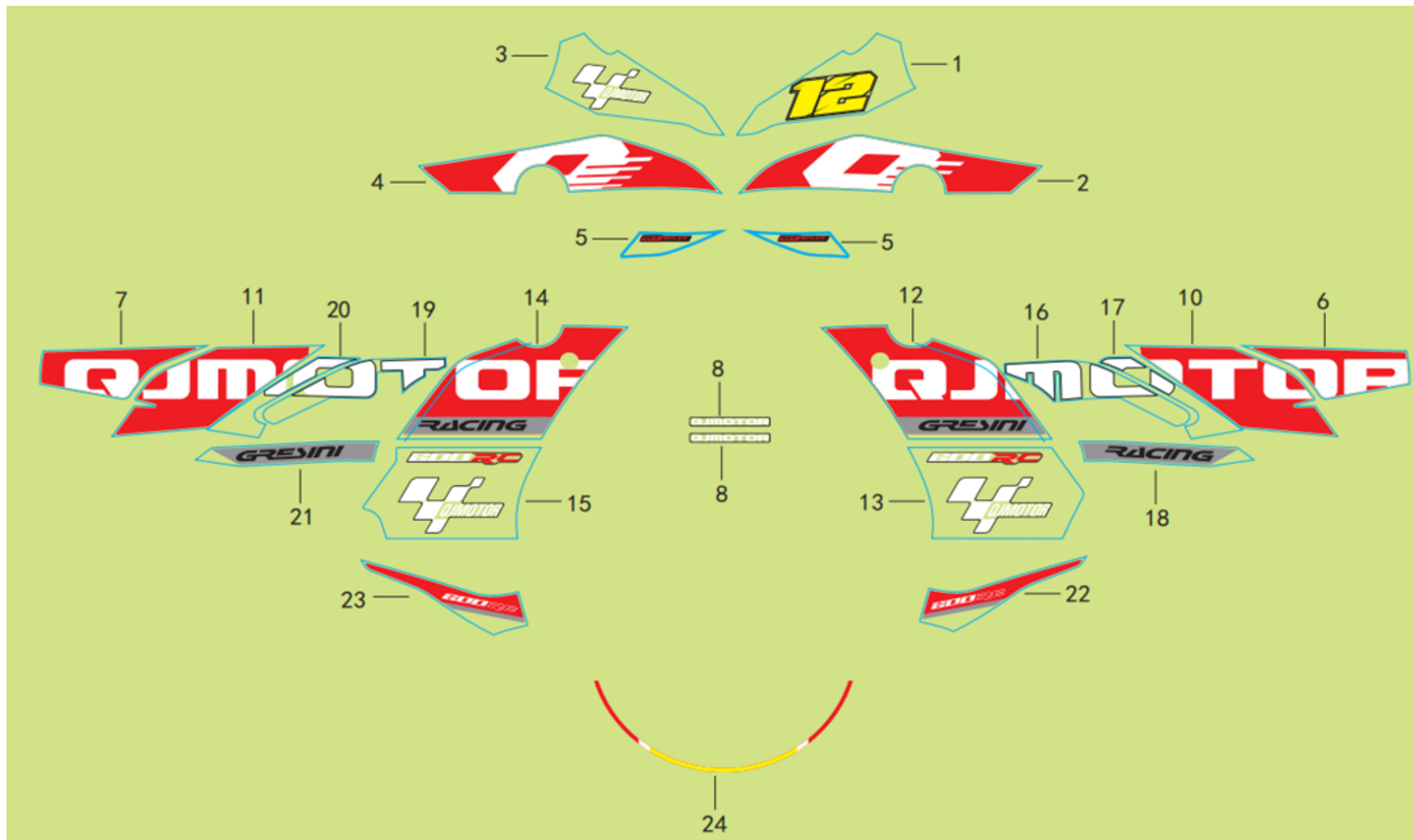
NO.	CODE	EN DESCRIPTION	QTY	REMARKS
F29-01	92000PAK000D	CABLE ASSEMBLY	1	
F29-02	92300P250002	MOTOR LINE	1	
F29-03	92500P250000	GROUNDING WIRE	1	
F29-04	40098B450000	BINDING STRAP 3×150	12	
F29-05	96001N350000	BANDAGE	2	
F29-06	96001P360000	THREAD TIE	11	
F29-07	96003P250000	CORD CLAMP	6	
F29-08	58430J000000	CLAMP ASSEMBLY	5	
F29-09	65841P160000	STRAP 11-012	1	
F29-10	57041P410000	ECU CHECK SOCKET MOUNTING RUBBER	2	
F29-11	57042P410000	ABS INSPECTION SOCKET INSTALLATION RUBBER	1	
F29-12	92058P060000	ABS SWITCH PAIR PLUG-IN	1	
F29-13	96003P360000	NYLON CABLE TIES	6	
F29-14	96031N350000	SNAP 1.5 SERIES	6	
F29-15	88108PAK0001	POWER SUPPLY LOCK RUBBER	1	
F29-16	88000P620000	SLEEVE LOCK	1	
F29-17	89100S070001	ELECTRONIC LOCK	1	
F29-21	88901P410000	KEY LOCK PIECE	2	
F29-22	88400P250003	TANK LOCK	1	
F29-23	88800P410000	SEAT CUSHION LOCK	1	
F29-24	58800P410000	SEAT CUSHION LOCK	1	
F29-25	96810P060000	MINI FUSE /10A	2	
F29-26	96820P060000	MINI FUSE /15A	6	

F30 发动机附件 ENGINE ATTACHMENT ASSY.



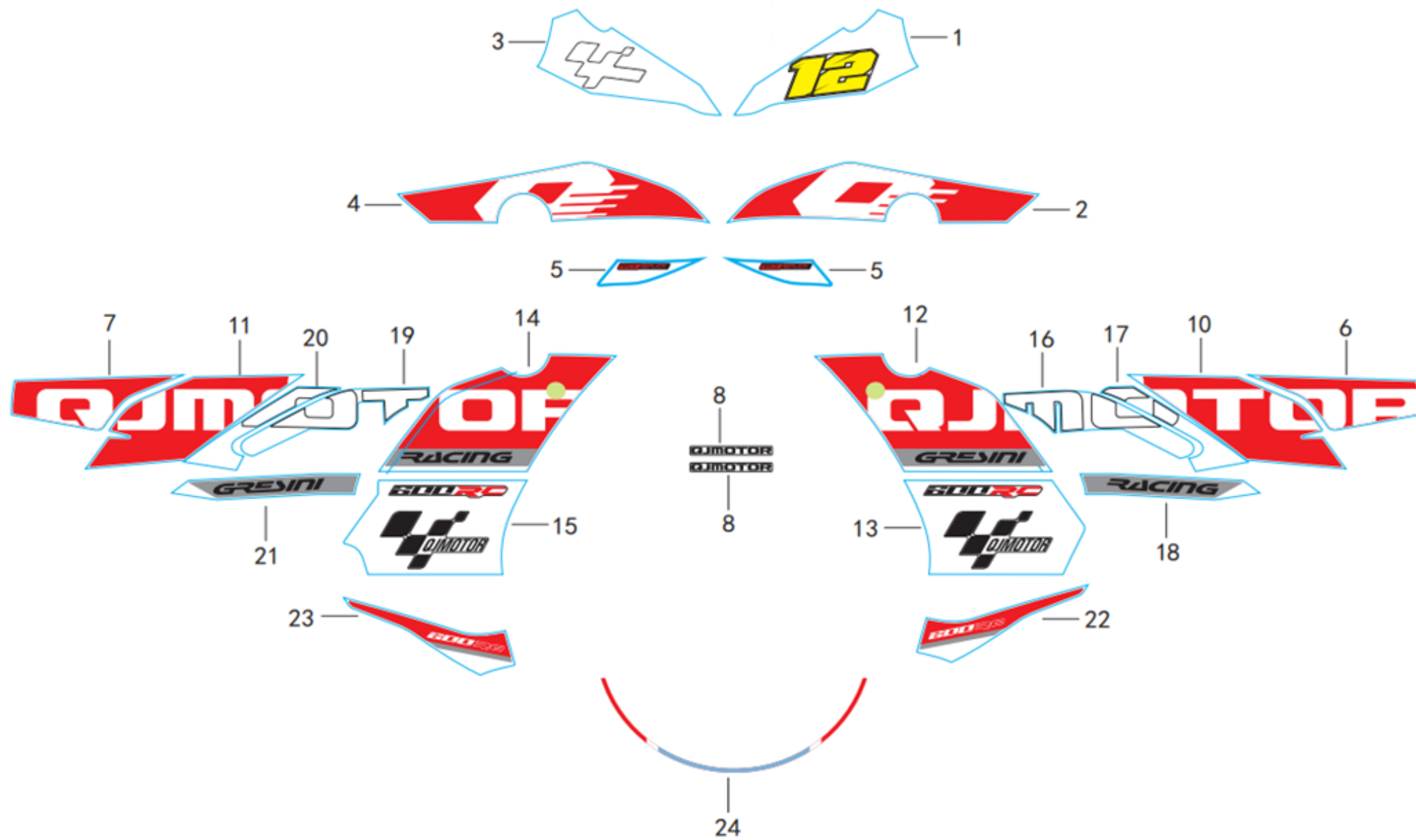
NO.	CODE	EN DESCRIPTION	QTY	REMARKS
F30-02	289006030130	THROTTLE BODY ASSEMBLY	1	
F30-03	16904603MM01	REAR COVER AS-LH	1	
F30-04	160306030070	HEXAGON TORX BOLT M6×30	3	
F30-05	49760P830000	E-CONTROLLED-GULP VALVE	1	
F30-06	49805B570200	PLATE CARD HOOP Φ19.3×10×1	5	
F30-07	49808PAK0000	RIGHT CONNECTING PIPE BETWEEN E-CONTROLLED-GULP VALVE AND CYLINDER HEAD	1	
F30-08	59750PAK0000	MOUNTING SEAT OF E-CONTROLLED-GULP VALVE	1	
F30-09	08013P620002	HEXAGON SOCKET HEXAGON FLANGE BOLT M6×14	2	
F30-10	B04810600052	NUT M6×1	2	
F30-11	49807PAK0000	LEFT CONNECTING PIPE BETWEEN E-CONTROLLED-GULP VALVE AND CYLINDER HEAD	1	
F30-12	49809PAK0000	CONNECTING PIPE BETWEEN E-CONTROLLED-GULP VALVE AND SMALL AIR FILTER	1	
F30-13	49870K980000	SMALL AIR FILTER	1	
F30-14	57601PAK0000	LEFT FOOT GUARD PLATE SUPPORT PLATE	1	
F30-15	58302B450000	BUFFER BLOCK	1	

F37 STICKER ASSY (FOR BLACK COLOUR BIKE)



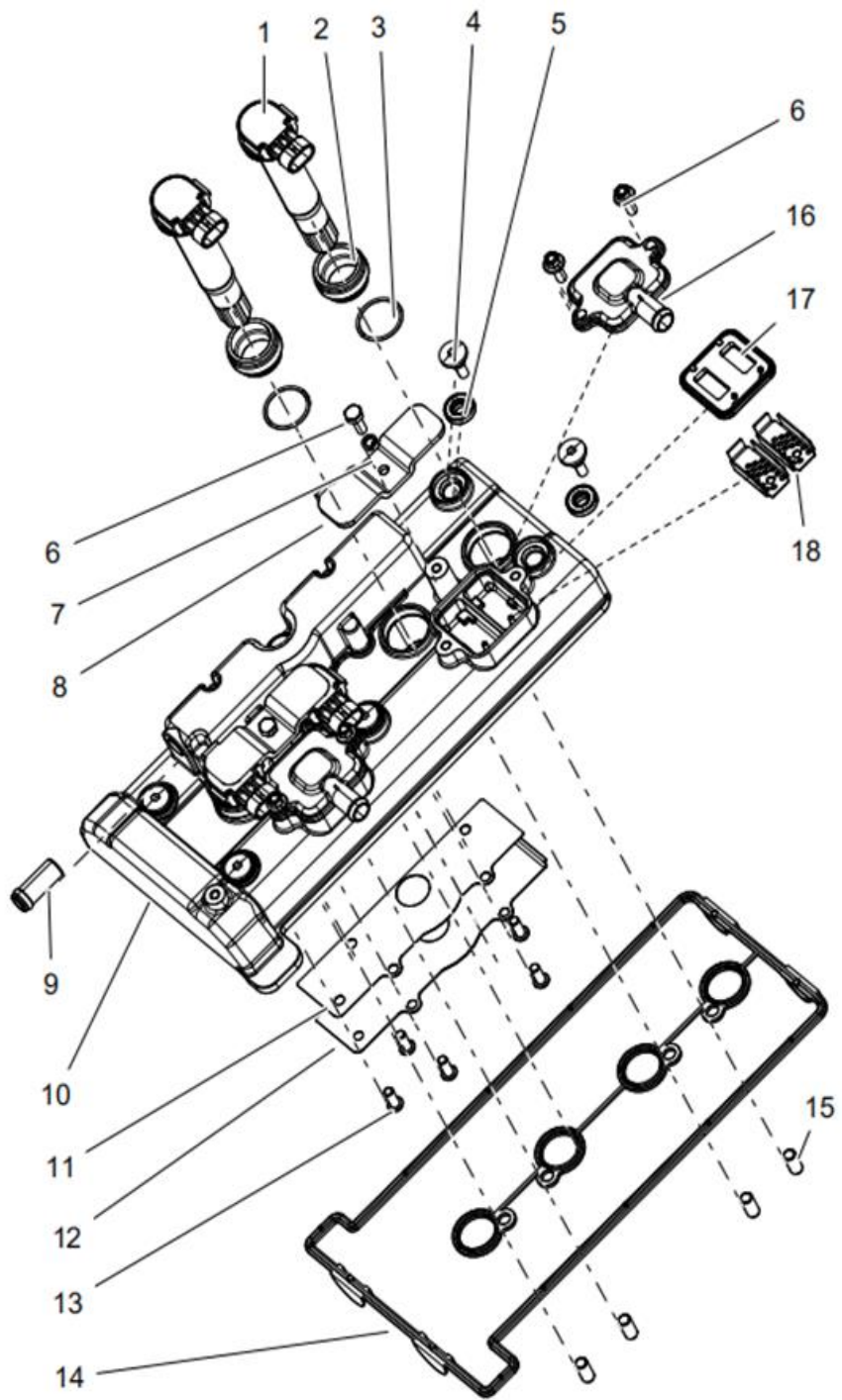
NO.	CODE	EN DESCRIPTION	QTY	REMARKS
F37-01	05521PAKBW09	DEFLECTOR HOOD LEFT TRIM PANEL FRONT DECAL	1	FOR BLACK COLOUR BIKE
F37-02	05523PAKBW09	DEFLECTOR HOOD LEFT DECORATIVE PLATE BEHIND DECAL	1	FOR BLACK COLOUR BIKE
F37-03	05522PAKBW09	DEFLECTOR HOOD RIGHT TRIM PANEL FRONT DECAL	1	FOR BLACK COLOUR BIKE
F37-04	05524PAKBW09	DEFLECTOR HOOD RIGHT DECORATIVE PLATE BEHIND DECAL	1	FOR BLACK COLOUR BIKE
F37-05	05522PAKHV02	FIXED WIND WING DECAL	2	FOR BLACK COLOUR BIKE
F37-06	05531PAKBW09	TANK LEFT DECAL	1	FOR BLACK COLOUR BIKE
F37-07	05532PAKBW09	TANK RIGHT DECAL	1	FOR BLACK COLOUR BIKE
F37-08	05533PAKBW02	QJMOTOR FUEL TANK DECAL	2	FOR BLACK COLOUR BIKE
F37-10	05533PAKBW09	OIL TANK LEFT GUARD DECAL	1	FOR BLACK COLOUR BIKE
F37-11	05534PAKBW09	OIL TANK RIGHT GUARD DECAL	1	FOR BLACK COLOUR BIKE
F37-12	05541PAKBW09	DECAL ON THE LEFT FOOT GUARD	1	FOR BLACK COLOUR BIKE
F37-13	05543PAKBW09	DECAL UNDER LEFT FOOT SHIELD	1	FOR BLACK COLOUR BIKE
F37-14	05542PAKBW09	DECAL ON RIGHT FOOT SHIELD	1	FOR BLACK COLOUR BIKE
F37-15	05544PAKBW09	DECAL UNDER RIGHT FOOT SHIELD	1	FOR BLACK COLOUR BIKE
F37-16	05545PAKBW09	LEFT FOOT GUARD DECORATIVE PLATE DECAL	1	FOR BLACK COLOUR BIKE
F37-17	05547PAKBW09	LEFT FOOT GUARD BOARD DECORATIVE REAR BOARD DECAL	1	FOR BLACK COLOUR BIKE
F37-18	05549PAKBW09	LEFT FOOT GUARD PLATE DECORATIVE LOWER PLATE DECAL	1	FOR BLACK COLOUR BIKE
F37-19	05546PAKBW09	RIGHT FOOT GUARD BOARD DECORATIVE BOARD DECAL	1	FOR BLACK COLOUR BIKE
F37-20	05548PAKBW09	RIGHT FOOT GUARD BOARD DECORATIVE REAR BOARD DECAL	1	FOR BLACK COLOUR BIKE
F37-21	05551PAKBW09	RIGHT FOOT GUARD BOARD DECORATIVE LOWER BOARD DECAL	1	FOR BLACK COLOUR BIKE
F37-22	05571PAKBW09	LEFT TAIL COVER DECAL	1	FOR BLACK COLOUR BIKE
F37-23	05572PAKBW09	RIGHT TAIL COVER DECAL	1	FOR BLACK COLOUR BIKE
F37-24	05582PAKBW09	RIM DECALS	4	FOR BLACK COLOUR BIKE

F38 STICKER ASSY (FOR BLUE COLOUR BIKE)



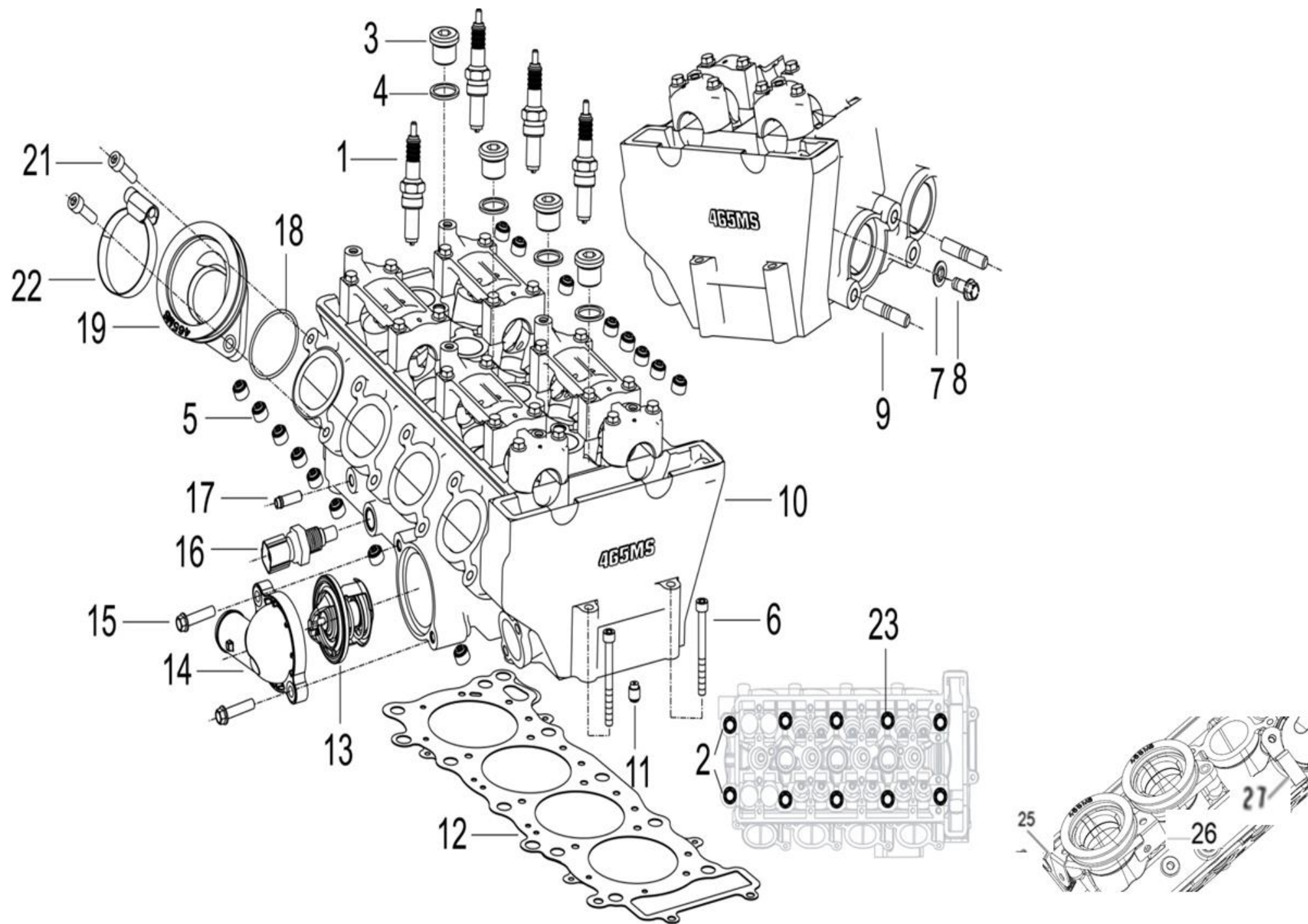
NO.	CODE	EN DESCRIPTION	QTY	REMARKS
F38-01	05521PAKBW09	DEFLECTOR HOOD LEFT TRIM PANEL FRONT DECAL	1	FOR BLUE COLOUR BIKE
F38-02	05523PAKBW09	DEFLECTOR HOOD LEFT DECORATIVE PLATE BEHIND DECAL	1	FOR BLUE COLOUR BIKE
F38-03	05522PAKBW09	DEFLECTOR HOOD RIGHT TRIM PANEL FRONT DECAL	1	FOR BLUE COLOUR BIKE
F38-04	05524PAKBW09	DEFLECTOR HOOD RIGHT DECORATIVE PLATE BEHIND DECAL	1	FOR BLUE COLOUR BIKE
F38-05	05522PAKHV02	FIXED WIND WING DECAL	2	FOR BLUE COLOUR BIKE
F38-06	05531PAKBW09	TANK LEFT DECAL	1	FOR BLUE COLOUR BIKE
F38-07	05532PAKBW09	TANK RIGHT DECAL	1	FOR BLUE COLOUR BIKE
F38-08	05533PAKBW03	QJMOTOR FUEL TANK DECAL	2	FOR BLUE COLOUR BIKE
F38-10	05533PAKBW09	OIL TANK LEFT GUARD DECAL	1	FOR BLUE COLOUR BIKE
F38-11	05534PAKBW09	OIL TANK RIGHT GUARD DECAL	1	FOR BLUE COLOUR BIKE
F38-12	05541PAKBW09	DECAL ON THE LEFT FOOT GUARD	1	FOR BLUE COLOUR BIKE
F38-13	05543PAKE709	DECAL UNDER LEFT FOOT SHIELD	1	FOR BLUE COLOUR BIKE
F38-14	05542PAKBW09	DECAL ON RIGHT FOOT SHIELD	1	FOR BLUE COLOUR BIKE
F38-15	05544PAKE709	DECAL UNDER RIGHT FOOT SHIELD	1	FOR BLUE COLOUR BIKE
F38-16	05545PAKBW09	LEFT FOOT GUARD DECORATIVE PLATE DECAL	1	FOR BLUE COLOUR BIKE
F38-17	05547PAKBW09	LEFT FOOT GUARD BOARD DECORATIVE REAR BOARD DECAL	1	FOR BLUE COLOUR BIKE
F38-18	05549PAKBW09	LEFT FOOT GUARD PLATE DECORATIVE LOWER PLATE DECAL	1	FOR BLUE COLOUR BIKE
F38-19	05546PAKBW09	RIGHT FOOT GUARD BOARD DECORATIVE BOARD DECAL	1	FOR BLUE COLOUR BIKE
F38-20	05548PAKBW09	RIGHT FOOT GUARD BOARD DECORATIVE REAR BOARD DECAL	1	FOR BLUE COLOUR BIKE
F38-21	05551PAKBW09	RIGHT FOOT GUARD BOARD DECORATIVE LOWER BOARD DECAL	1	FOR BLUE COLOUR BIKE
F38-22	05571PAKBW09	LEFT TAIL COVER DECAL	1	FOR BLUE COLOUR BIKE
F38-23	05572PAKBW09	RIGHT TAIL COVER DECAL	1	FOR BLUE COLOUR BIKE
F38-24	05582PAKE709	RIM DECALS	4	FOR BLUE COLOUR BIKE

E01 气缸盖罩分总成 CYLINDER HEAD COVER ASSY



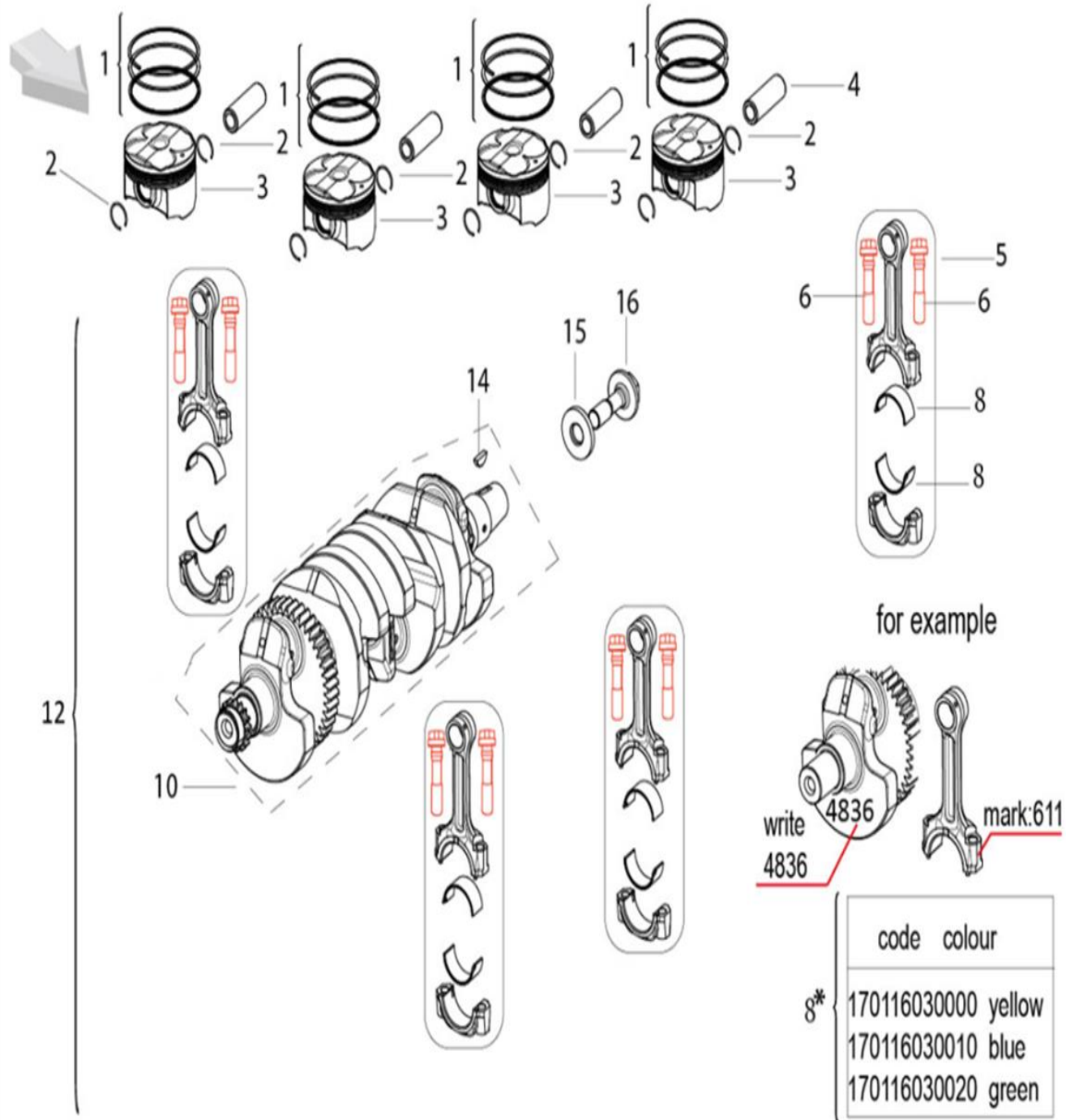
NO.	CODE	EN DESCRIPTION	QTY	REMARKS
E01-01	96200P250000	HIGH VOLTAGE IGNITION COIL	4	
E01-02	100286030000	CAP, IGNITION COIL	4	
E01-03	B190102650B0	O-RING	4	
E01-04	110026030010	SCREW PIN	6	
E01-05	100066030000	RING ASSY	6	
E01-06	160306030020	BOLT M6×16	6	
E01-07	B0700000060H	ELASTIC WASHER	2	
E01-08	10027603002X	COIL POSITIONING CLIP	2	
E01-09	100296030000	PLUG	1	
E01-10	10901603HT40	CYLINDER HEAD COVER,GREY	1	
E01-11	110056030000	GASKET,COVER PLATE	1	
E01-12	110046030000	COVER PLATE	1	
E01-13	B0200060142H	SCREW M6×14	5	
E01-14	100046030000	GASKET,HEAD COVER,MODULE	1	
E01-15	100136030000	PIN DOWEL	4	
E01-16	11001603HT20	SECONDARY INTAKE VALVE COVER	1	
E01-17	110066030000	REED VALVE SUBASSEMBLY	2	
E01-18	110036030000	FLASHBACK ARRESTOR	4	

E02 气缸盖分总成 CYLINDER HEAD



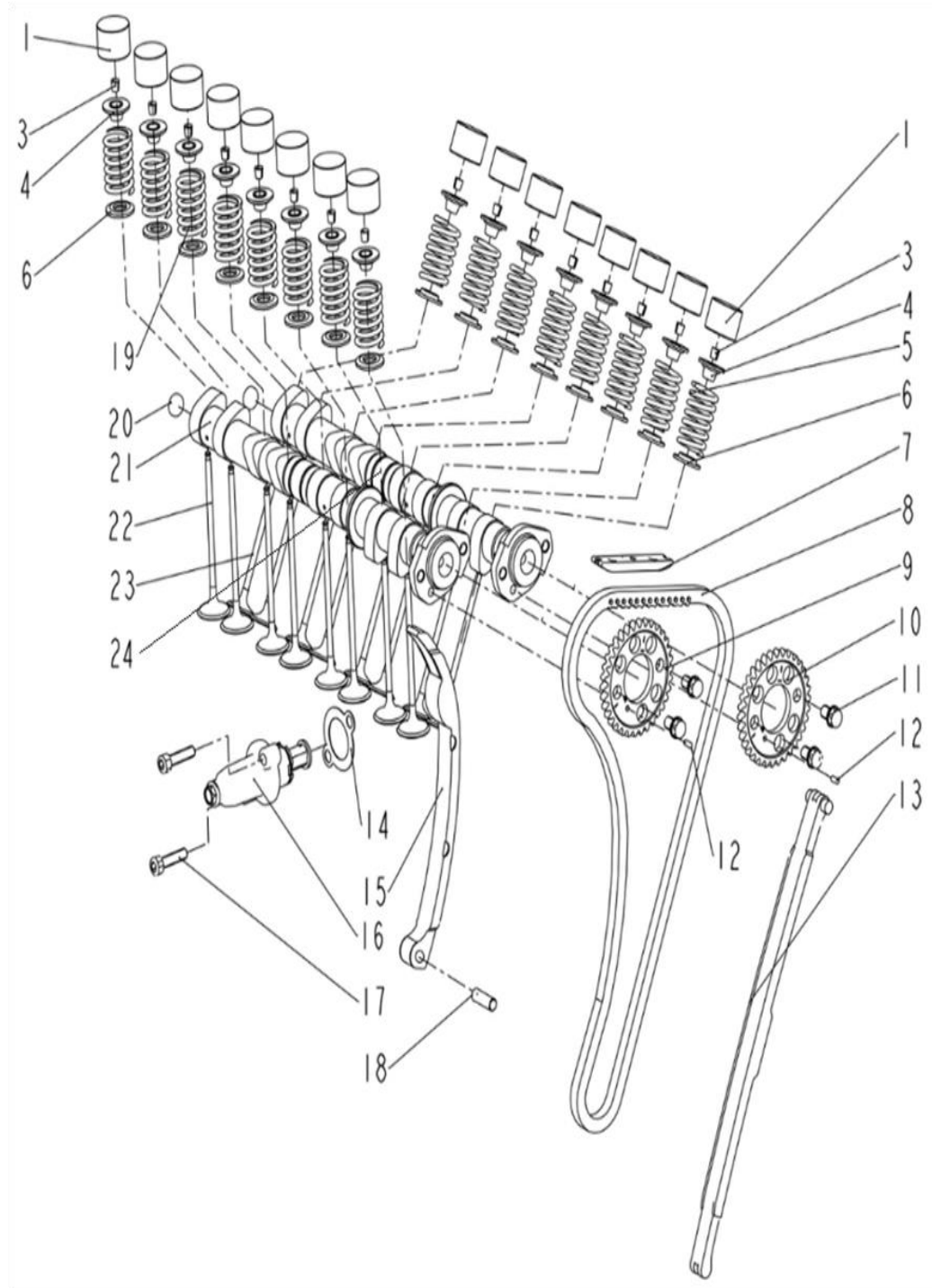
NO.	CODE	EN DESCRIPTION	QTY	REMARKS
E02-01	AC-005-1201-0009	SPARK PLUG,NGK CR8E	4	
E02-02	100236030000	COMBINATION BOLT,SILVER	2	
E02-03	150136030100	WATER JACKET LOCATING SCREW	3	
E02-04	100126030000	WASHER M16	3	
E02-05	120126030000	OIL SEAL ASSY	16	
E02-06	160316030060	SCREW M6×60	2	
E02-07	120133090002	GASKET	1	
E02-08	160306030010	BOLT M6×12	1	
E02-09	12003505011X	BOLT M8×36.5	8	
E02-10	109056030050	CYLINDER HEAD ASSY, GREY	1	
E02-11	120166030100	BOLT M6×8	1	
E02-12	100196030000	GASKET,CYLINDER HEAD	1	
E02-13	100186030000	WATER TEMPERATURE REGULATOR	1	
E02-14	100306030010	A THERMOSTAT COVER	1	
E02-15	160306030050	BOLT M6×25	2	
E02-16	100096030000	WATER TEMPERATURE SENSOR	1	
E02-17	100106030000	WATER PIPE	1	
E02-18	160056090000	O-RING	4	
E02-19	280146030000	AIR INTAKE PIPE ASSY.	4	
E02-21	160316030010	SCREW M6×20	8	
E02-22	280426030000	CLIP ASSY.	4	
E02-23	100236030000	COMBINATION BOLT,BLACK	8	
E02-25	280616060000	CLAMP II	1	
E02-26	110016220020	CLAMP 4	1	
E02-27	110126030000	CLAMP 3	1	

E03 活塞连杆曲轴分总成 PISTON,CONNECTING ROD & CRANKSHAFT ASSY



NO.	CODE	EN DESCRIPTION	QTY	REMARKS
E03-01	170146030030	PISTON RING ASSY.	4	
E03-02	179155140000	CIRCLIP	8	
E03-03	179136030030	PISTON	4	
E03-04	179146030000	PIN,PISTON	4	
E03-05	179036030020	CONNECTING ROD	4	
E03-06	170036280010	BOLT M8×1	8	
E03-08	170116030000	BEARING,YELLOW	8	
E03-08	170116030010	BEARING,BLUE	8	
E03-08	170116030011	BEARING,GREEN	8	
E03-10	179016030000	CRANKSHAFT COMPONENT	1	
E03-12	17901603001Z	CRANKSHAFT ROD BUSHING ASSY	1	
E03-14	B11810400016	HAIF-ROUND KEY 4×6.5×16	1	
E03-15	170106030000	FLY WHEEL GASKET	1	
E03-16	170066030100	FLY WHEEL LOCK NUT M12×40	1	

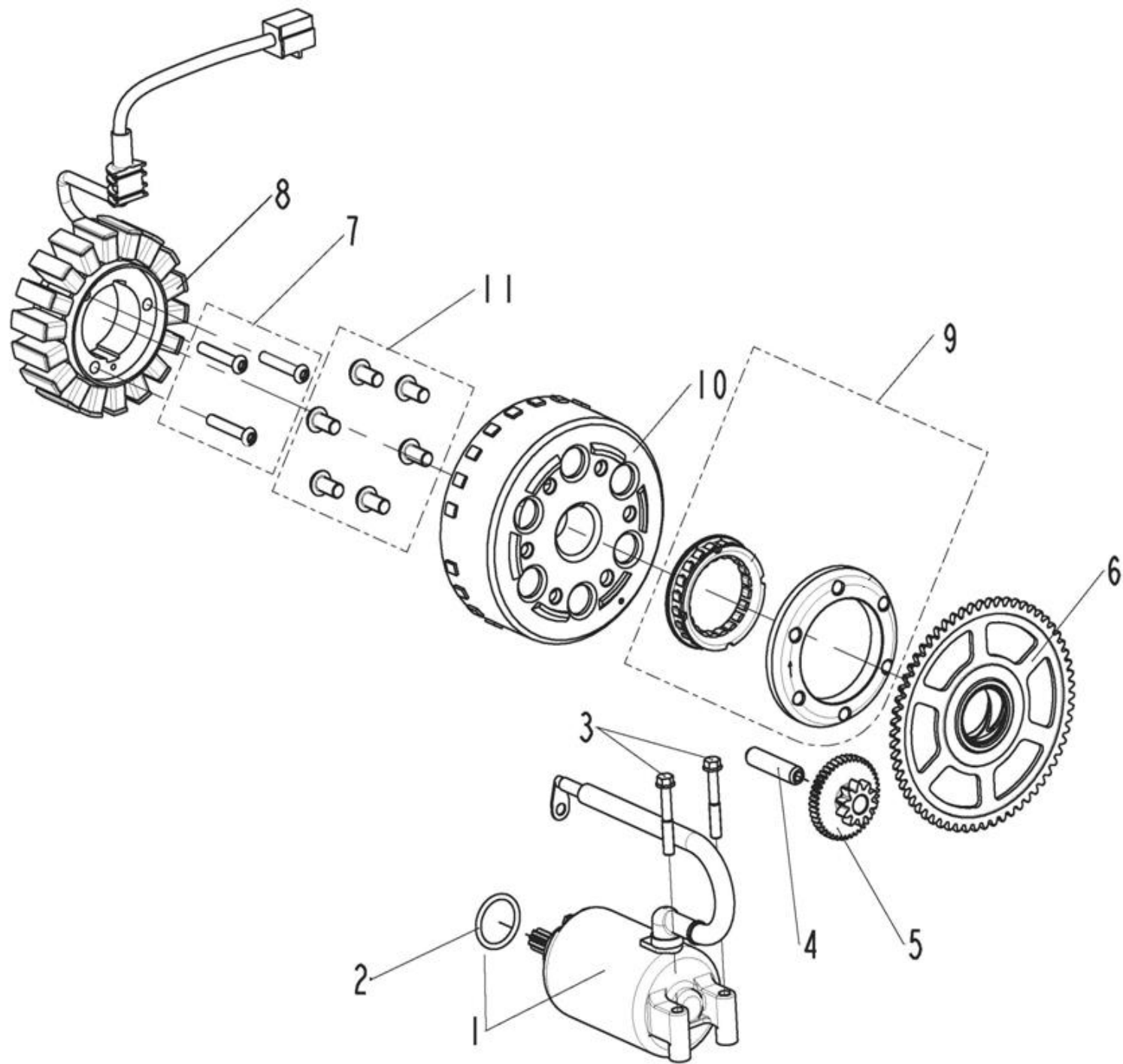
E04 凸轮轴链条张紧器分总成 CAMSHAFT&CHAIN TENSIONER ASSY



NO.	CODE	EN DESCRIPTION	QTY	REMARKS
E04-01	120506030430	TAPPET,MARK:430	8	
E04-01	120506030432	TAPPET,MARK:432	8	
E04-01	120506030434	TAPPET,MARK:434	8	
E04-01	120506030436	TAPPET,MARK:436	8	
E04-01	120506030438	TAPPET,MARK:438	8	
E04-01	120506030440	TAPPET,MARK:440	8	
E04-01	120506030442	TAPPET,MARK:442	8	
E04-01	120506030444	TAPPET,MARK:444	8	
E04-01	120506030446	TAPPET,MARK:446	8	
E04-01	120506030448	TAPPET,MARK:448	8	
E04-01	120506030450	TAPPET,MARK:450	8	
E04-01	120506030452	TAPPET,MARK:452	8	
E04-01	120506030454	TAPPET,MARK:454	8	
E04-01	120506030456	TAPPET,MARK:456	8	
E04-01	120506030458	TAPPET,MARK:458	8	
E04-01	120506030460	TAPPET,MARK:460	8	
E04-03	120086030000	PUNCH HEEL VALVE	32	
E04-04	129336220000	UPPER SPRING SEAT	16	
E04-05	120186220000	SPRING,EXHAUST VALVE,length:40.5mm	8	
E04-06	129216220000	LOWER SPRING SEAT	16	
E04-07	140186030000	CHAIN PLATE COMPONENTS	1	
E04-08	140016030000	CHAIN	1	
E04-09	129036030001	SPROCKET,INTAKE CAMSHAFT	1	
E04-10	129036030000	SPROCKET,EXHAUST CAMSHAFT	1	
E04-11	120156030000	BOLT M7	4	
E04-12	B090103006A4	PIN 3×6	2	
E04-13	140216030000	GUIDE 1, STARTING CHAIN	1	
E04-14	140176030000	BACKUP PLATE	1	
E04-15	140256030000	GUIDE-PLATE	1	
E04-16	140036030000	TENSIONER	1	

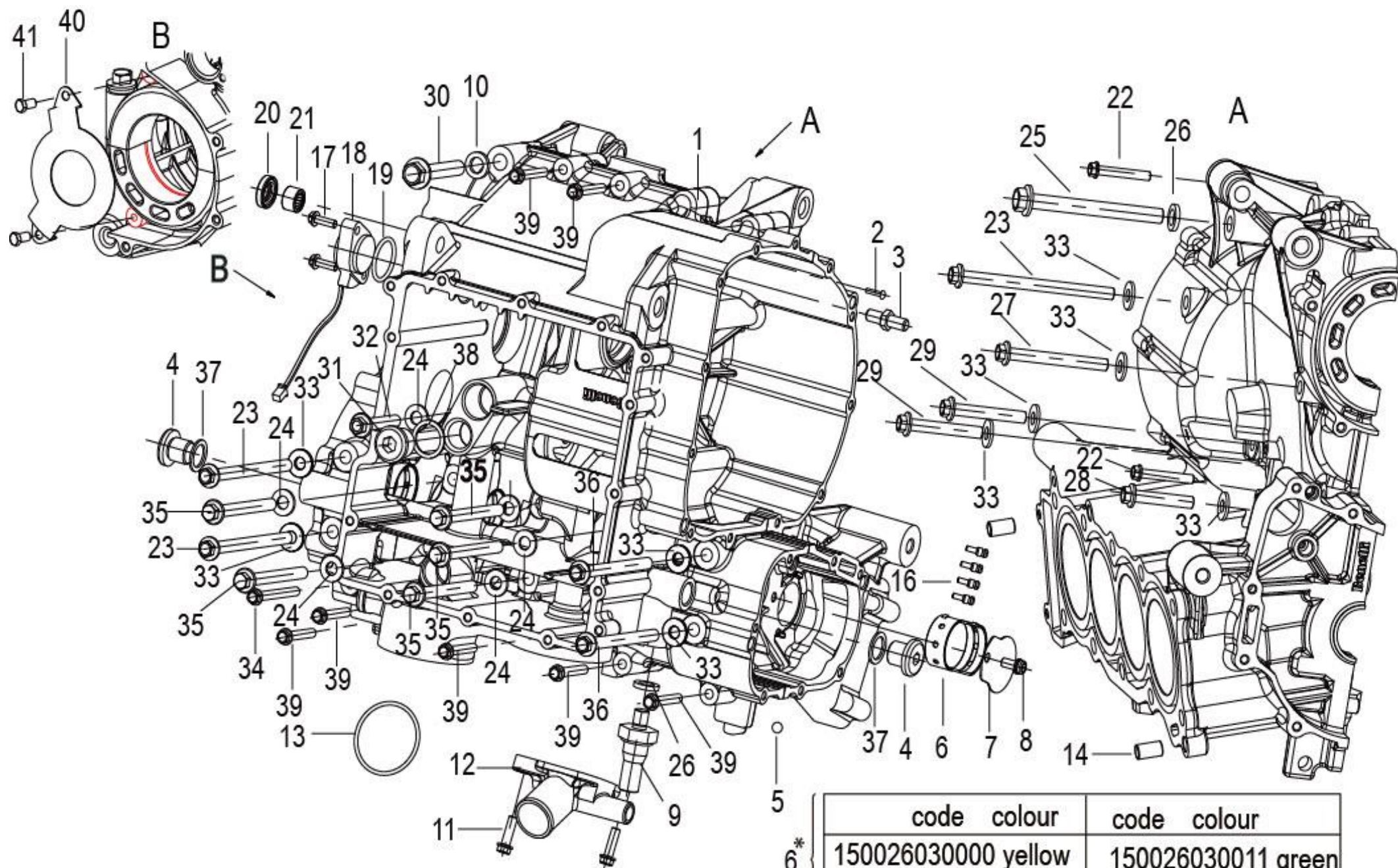
NO.	CODE	EN DESCRIPTION	QTY	REMARKS
E04-17	160306030050	BOLT M6×25	2	
E04-18	140026030000	SHAFT	1	
E04-19	120176220000	SPRING,INTAKE VALVE,length:37.2mm	8	
E04-20	250086090000	SEALING COVER D13	2	
E04-21	129076030040	INTAKE CAMSHAFT ASSY	2	
E04-22	129186030000	INTAKE VAVLE	8	
E04-23	129196030000	EXHAUST VALVE	8	
E04-24	129106030010	EXHAUST CAMSHAFT ASSY	2	

E05 电启动分总成 ELECTRIC STARTER ASSY



NO.	CODE	EN DESCRIPTION	QTY	REMARKS
E05-01	249016030000	MOTOR ASSY,STARTING	1	
E05-02	240013060000	O RING $\Phi 24 \times \Phi 3.1$	1	
E05-03	160306030090	BOLT M6 \times 38	2	
E05-04	16020307001X	SHAFT, STARTER IDLER GEAR,SIZE: $\Phi 10 \times 45$	1	
E05-05	249046030000	GEAR,STARTER IDLER	1	
E05-06	249076030000	BIG GEAR COMP,STARTING	1	
E05-07	B0205060326H	SCREW M6 \times 32	3	
E05-08	299036030000	COIL ASSY	1	
E05-09	240026030000	COMPLETE STARTER CLUTCH, OUTER DIA: 89MM	1	
E05-10	299026030000	FLY WHEEL	1	
E05-11	B0207080168H	SCREW M8 \times 16	6	

E06 曲轴箱分总成 CRANKCASE SUB-ASSY

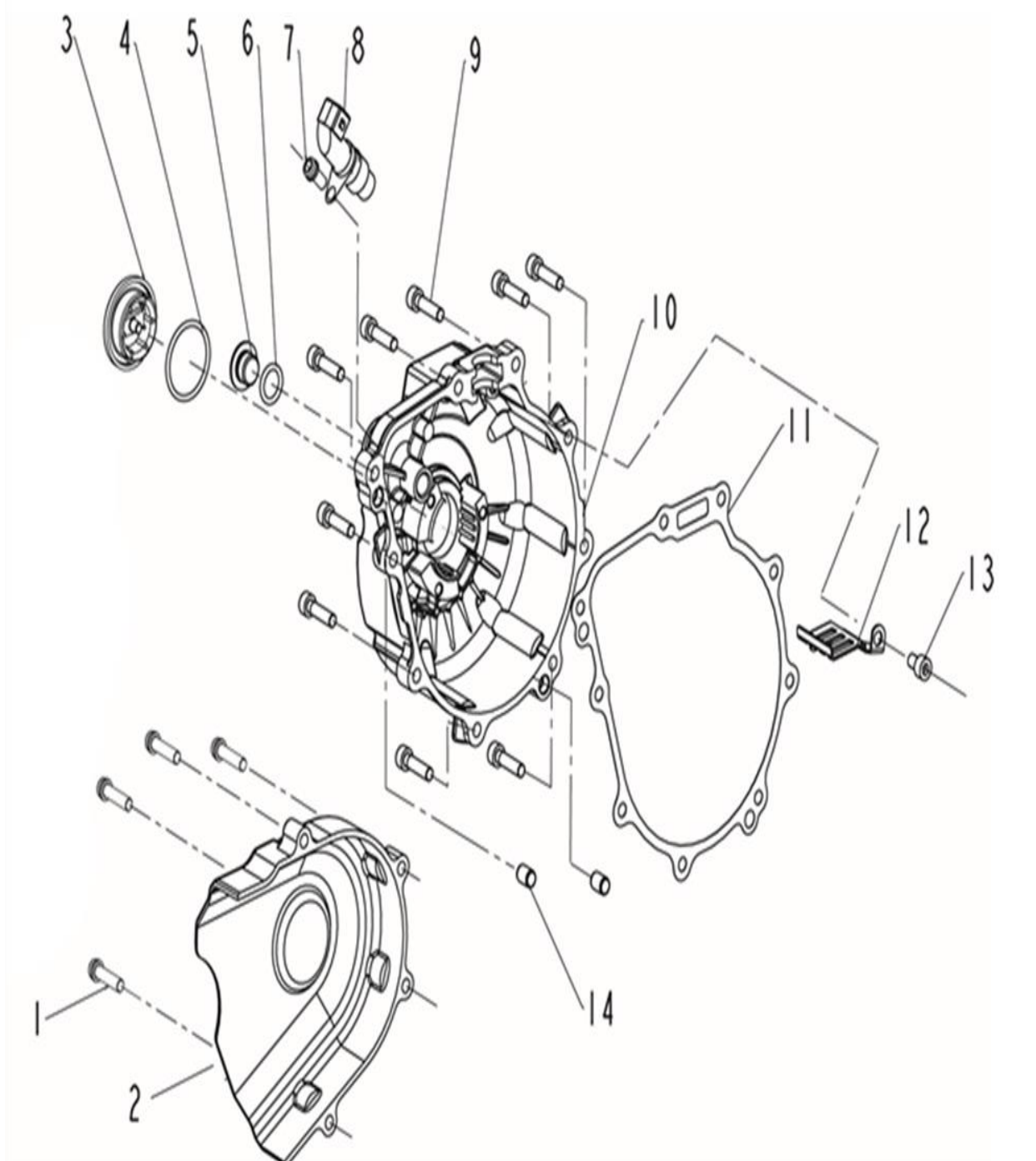


code colour		code colour	
150026030000	yellow	150026030011	green
150026030010	red	150026030012	blue

NO.	CODE	EN DESCRIPTION	QTY	REMARKS
E06-01	15014603HT01	UPPER CRANKCASE/LOWER CRANKCASE,GREY	1	
E06-02	150126030100	RIVET 3×13	1	
E06-03	150116030100	ARM ASSY POSITIONING SHAFT	1	
E06-04	150086030100	SCREW STOPPER M16×1×15	3	
E06-05	B06010240000	BALL 9/32	1	
E06-06	150026030000	MAIN BEARING ,YELLOW	10	
E06-06	150026030010	MAIN BEARING ,RED	10	
E06-06	150026030011	MAIN BEARING ,GREEN	10	
E06-06	150026030012	MAIN BEARING ,BLUE	10	
E06-07	150096030000	COVER	1	
E06-08	B0205060128H	SCREW M6×12	1	
E06-09	240026090000	MINIMUM OIL PRESSURE SWITCH	1	
E06-10	240056090000	WASHER 11×18×3	1	
E06-11	160306030030	BOLT M6×20	2	
E06-12	150356030010	WATER INLET COVER	1	
E06-13	150066030000	SEAL RING 46×2.4	1	
E06-14	150056030000	PIN	2	
E06-16	120166030100	BOLT M6×8	4	
E06-17	150316030180	BOLT M5×16	2	
E06-18	150196030020	STALL THE SENSOR	1	
E06-19	B190102580B0	O-RING 25.8×2.65	1	
E06-20	150025040000	OIL SEALI 12×22×5	1	
E06-21	B1212K121002	NEEDLE BEARING 12×16×10	1	
E06-22	150316030150	BOLT M6×40	2	
E06-23	150316030130	BOLT M8×115	3	
E06-24	150156030000	WASHER 8	12	
E06-25	150316030120	BOLT M10×100	1	
E06-26	240056090000	WASHER 11×18×3	2	
E06-27	150316030110	BOLT M8×75	1	
E06-28	150316030140	BOLT M8×45	1	

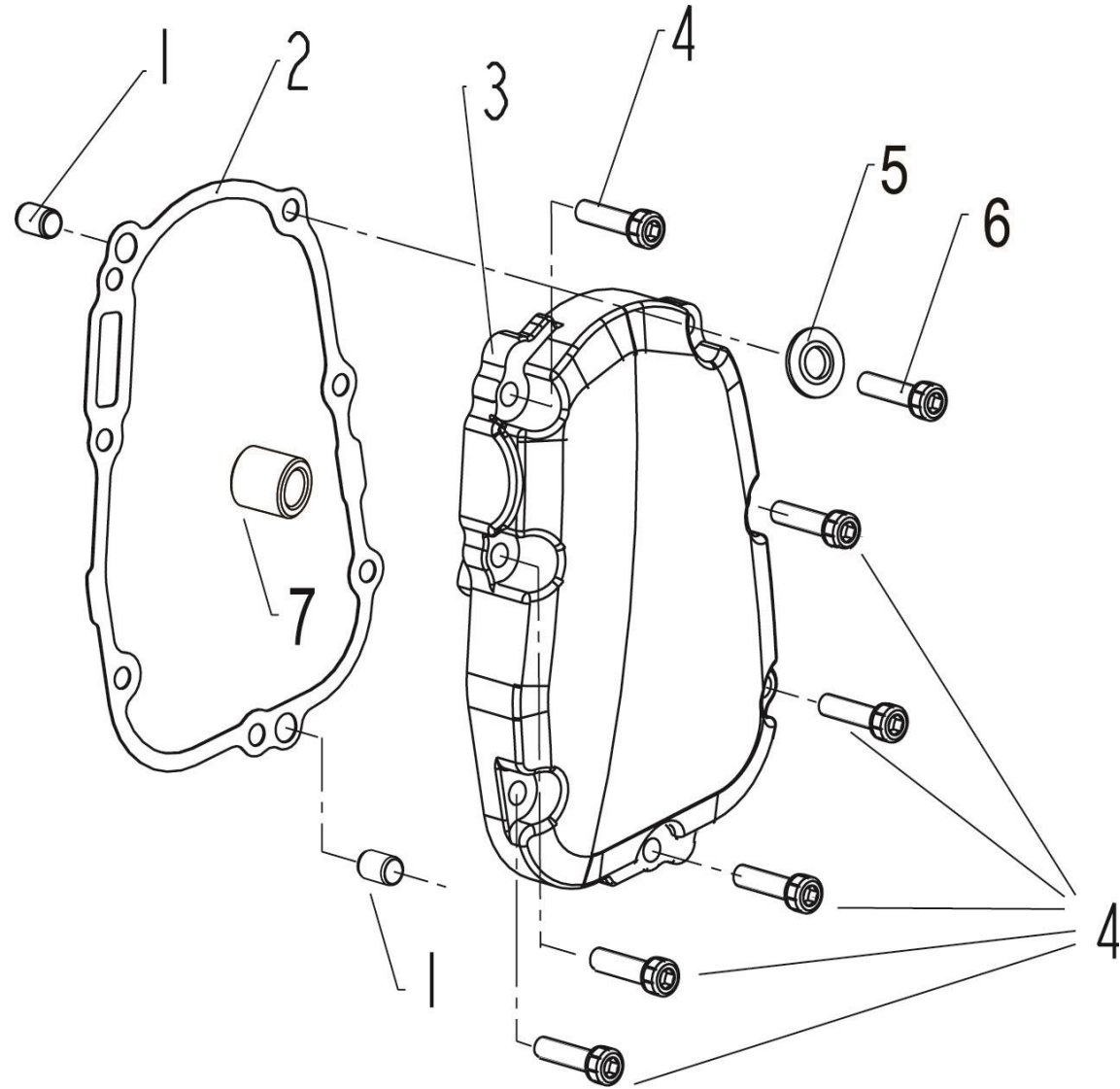
NO.	CODE	EN DESCRIPTION	QTY	REMARKS
E06-30	150316030160	BOLT M10×60	1	
E06-31	150136030100	SCREW STOPPER M20×1.5×15	1	
E06-32	B01070805089	BOLT M8×50	1	
E06-33	150135050010	WASHER	4	
E06-34	160306030120	BOLT M6×60	1	
E06-35	B0107080858H	BOLT M8×85	6	
E06-36	150316030H00	BOLT M8×100	2	
E06-37	150086220000	WASHER 16	3	
E06-38	150126080000	WASHER 20.2×26×1.5	1	
E06-39	160306030100	BOLT M6×45	7	
E06-40	150346030030	PLATE	1	
E06-41	160306030010	BOLT M6×12	2	

E07 左盖分总成 LEFT COVER ASSY



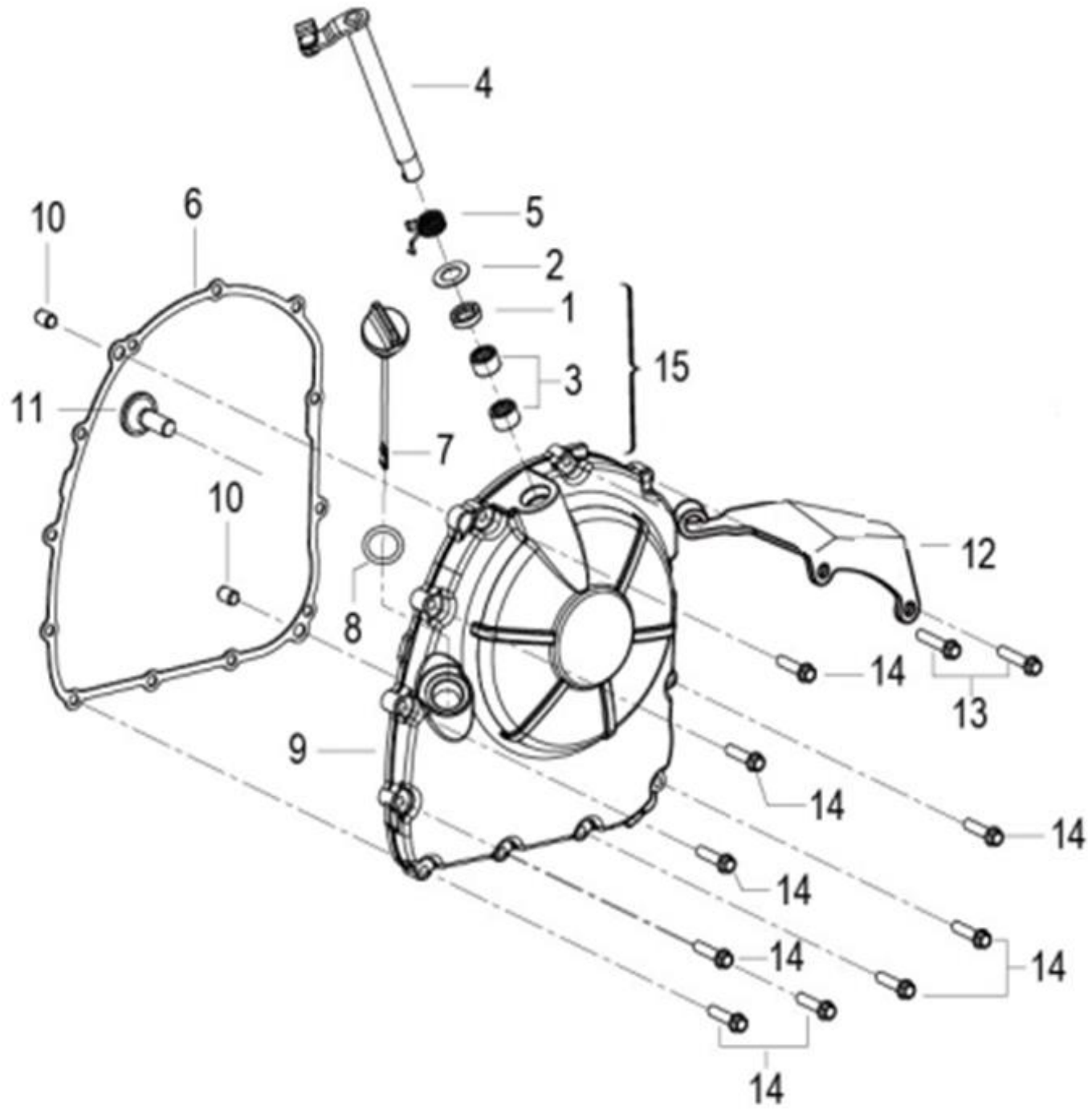
NO.	CODE	EN DESCRIPTION	QTY	REMARKS
E07-01	160306030050	BOLT M6×25	4	
E07-02	16904603MM01	LEFT BACK COVER	1	
E07-03	16916603MM01	PLUG,COVER MAGNETO,TITANIUM	1	
E07-04	160076030000	O RING 32×2.5	1	
E07-05	16005307MM01	PLUG,TITANIUM	1	
E07-06	B190101330B0	O RING 13.3×2.65	1	
E07-07	160306030010	SCREW M6×12	1	
E07-08	290016220000	PHASE SENSOR	1	
E07-09	160306030050	BOLT M6×25	9	
E07-10	16902603MM01	LEFT COVER,TITANIUM	1	
E07-12	160046030000	CLAMP	1	
E07-13	B0205060128H	SCREW M6×12	1	
E07-14	160056030000	PIN	2	

E08 右盖分总成 RIGHT COVER ASSY



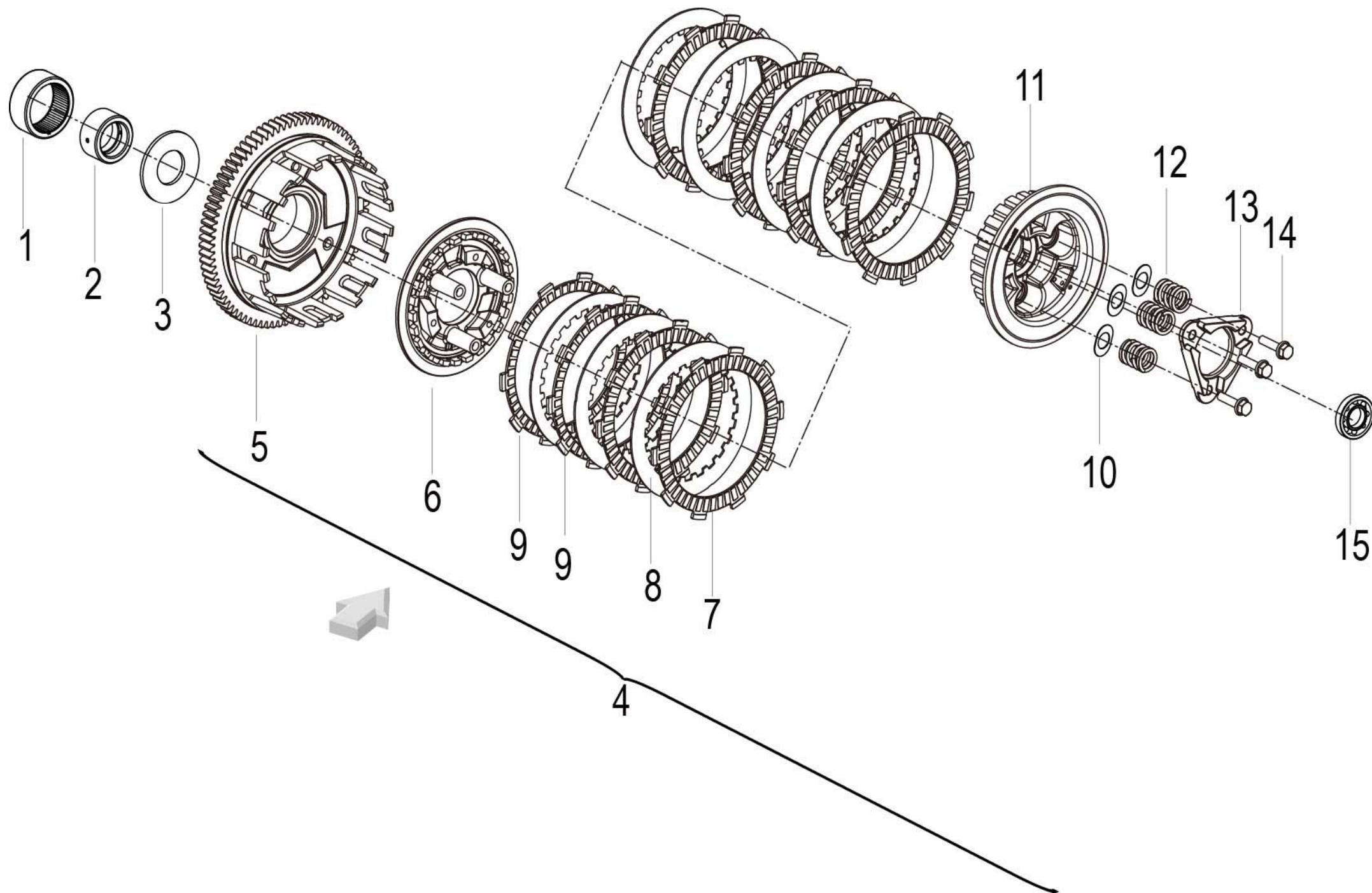
NO.	CODE	EN DESCRIPTION	QTY	REMARKS
E08-01	160056030000	PIN 6.6 × 8 × 11.5	2	
E08-03	169106030150	RIGHT COVER,TITANIUM	1	
E08-04	160306030040	BOLT M6×22	6	
E08-05	120133090002	WASHER	1	
E08-06	160306030050	BOLT M6×25	1	
E08-07	160176030000	BUSH	1	

E09 CLUTCH COVER ASSY (离合器盖分总成)



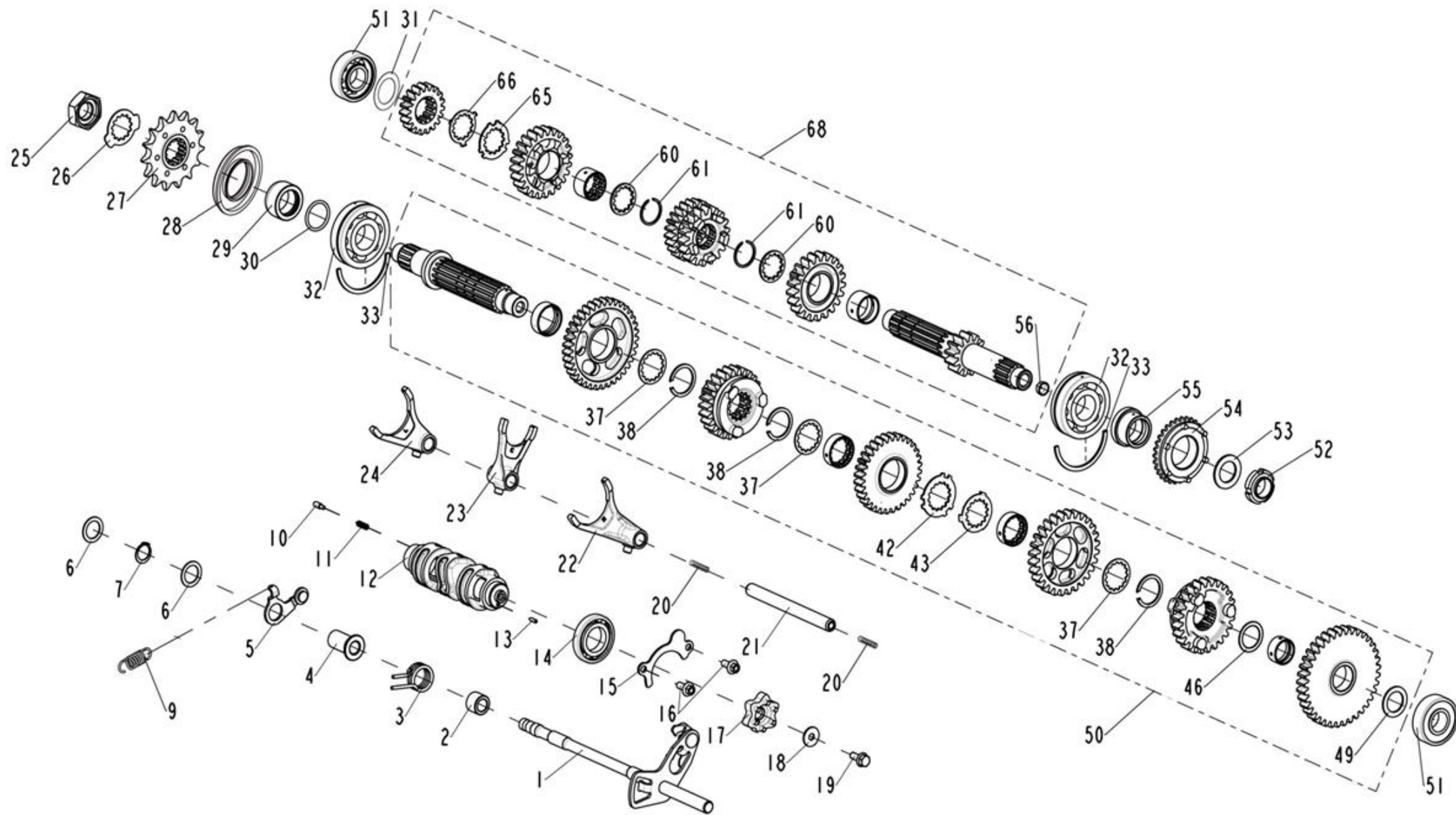
NO.	CODE	EN DESCRIPTION	QTY	REMARKS
E09-01	200001050000	OIL SEAL	1	
E09-02	200056030010	WASHER 12×22×0.8	1	
E09-03	B1212K121002	NEEDLE BEARING 12×16×10	2	
E09-04	200096030030	OPERATING LEVER WELD ASSY	1	
E09-05	200046030000	SPRING	1	
E09-06	200076030000	CLUTCH COVER GASKET	1	
E09-07	200166030000	GAUGE,OIL LEVER	1	
E09-08	160063070000	O RING 18×3.5	1	
E09-09	20001603MM1X	CLUTCH COVER,TITANIUM	1	
E09-10	160056030000	PIN DOWEL Φ8×11.5	2	
E09-11	200066030000	HANDSPIKE	1	
E09-12	200036030040	PLATE STRETCH	1	
E09-13	160306030070	BOLT M6×30	2	
E09-14	160306030050	BOLT M6×25	10	
E09-15	20045603MM1Z	CLUTCH COVER ASSY	1	

E10 离合器分总成 CLUTCH SYSTEM



NO.	CODE	EN DESCRIPTION	QTY	REMARKS
E10-01	200476030000	NEEDLE BEARING	1	
E10-02	200176030001	BUSHING	1	
E10-03	200446030000	WASHER 25×52×3	1	
E10-04	209106030010	CLUTCH ASSEMBLY	1	
E10-05	200276030001	CLUTCH INITIAIVE HUB ASSEMBLY	1	
E10-06	209156280030	CLUTCH DRIVEN HUB	1	
E10-07	200376030000	FRICTIONAL GASKET(II)	6	
E10-08	200216030000	CLUTCH GASKET	6	
E10-09	200366030000	FRICTIONAL GASKET(I)	2	
E10-10	200326280000	GASKET 2	3	
E10-11	209146280030	CLUTCH DRIVEN HUB ASSEMBLY	1	
E10-12	209186280030	CLUTCH SPRING	3	
E10-13	209166280030	BINDER PLATE	1	
E10-14	B0109060306H	BOLT M6×30	3	
E10-15	B12016600401	ROLL BEARING	1	

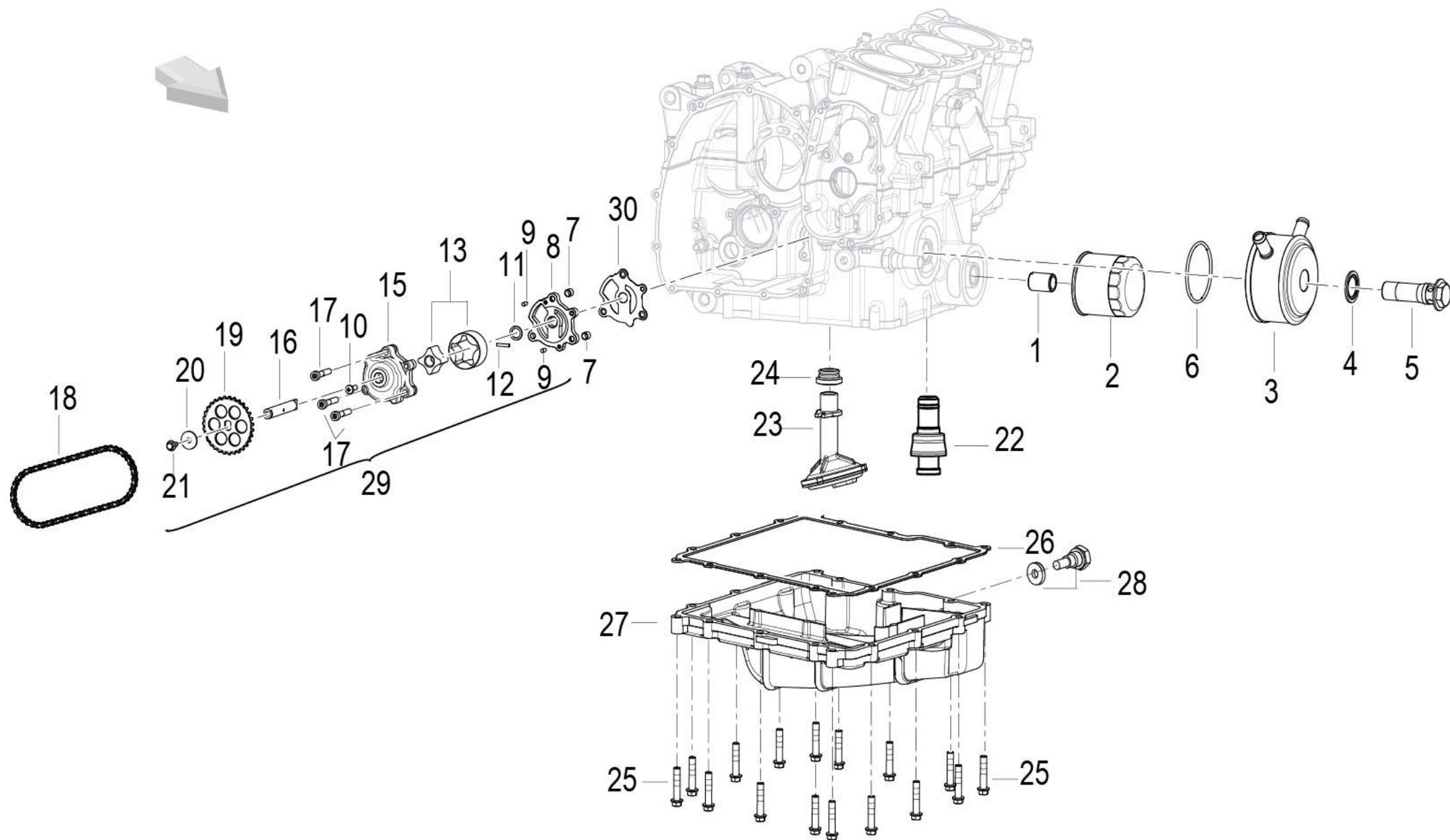
E11 变速换挡机构分总成 COUNTER&DRIVE SHAFT ASSY & GEAR SHIFT MECHANISM



NO.	CODE	EN DESCRIPTION	QTY	REMARKS
E11-01	210456030010	SHAFT ASSY,GEAR SHIFT	1	
E11-02	210046030000	AXLE SET,GEAR SHIFT	1	
E11-03	210056030000	SPRING,GEAR SHIFT	1	
E11-04	210396030000	AXLE SET	1	
E11-05	210416030010	ROCKER ASSY	1	
E11-06	210406030000	WASHER	2	
E11-07	B08010001701	CIRCLIP Φ 17	1	
E11-09	210026030000	SPRING	1	
E11-10	210323090000	ANTENNA	1	
E11-11	210313090000	SPRING	1	
E11-12	219056030020	CAM,GEAR SHIFT	1	
E11-13	210356030000	PIN	1	
E11-14	B12016600501	BEARING 16005	1	
E11-15	210036030000	PLATE	1	
E11-16	B0109060146H	BOLT M6 \times 14	2	
E11-17	210366030000	PLATE,GEAR SHIFT CAM	1	
E11-18	210376030000	WASHER	1	
E11-19	B0107060156H	BOLT M6 \times 15	1	
E11-20	210016030000	SPRING,SHAFT,SHIFT FORK	2	
E11-21	219086030000	SHAFT,SHIFT FORK	1	
E11-22	219126030000	FORK,GEAR SHIFT RH	1	
E11-23	219116030000	FORK,GEAR SHIFT CENTER	1	
E11-24	219106030000	FORK,GEAR SHIFT LH	1	
E11-25	210196030000	NUT M18 \times 1.0	1	
E11-26	210306030000	WASHER	1	
E11-27	219296030000	SPROCKET	1	
E11-28	210216030010	OIL SEAL,NEW TYPE	1	
E11-29	210206030000	BUSHING 25	1	
E11-30	210316030000	O RING Φ 25 \times Φ 2.5	1	
E11-31	210566030010	WASHER Φ 30 \times Φ 20.3 \times 0.4	1	

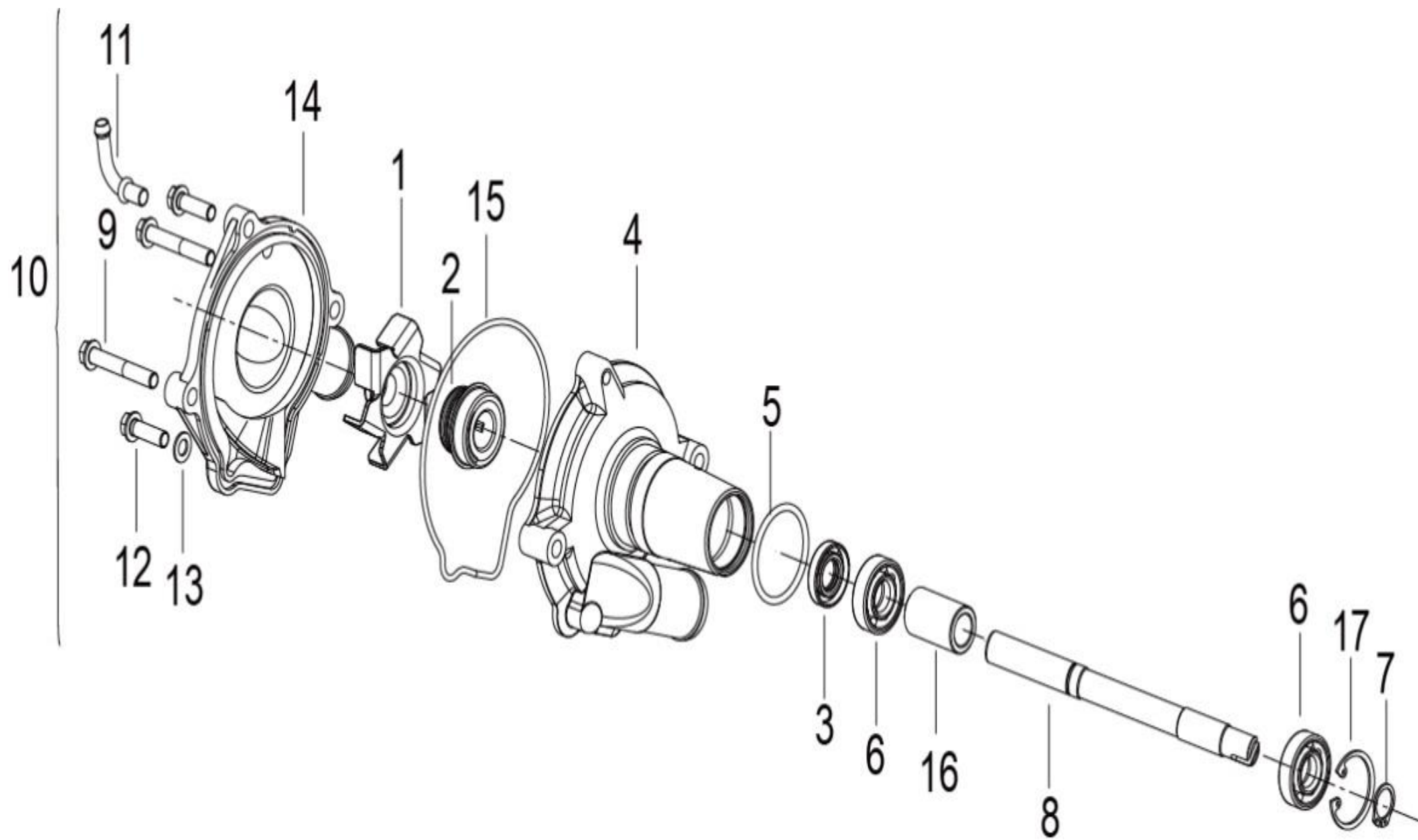
NO.	CODE	EN DESCRIPTION	QTY	REMARKS
E11-32	210136030020	BEARING	2	
E11-33	210186030000	CIRCLIP, BEARING	2	
E11-37	210236030000	WASHER	3	
E11-38	210246030000	CIRCLIP Φ 28	3	
E11-42	210266030000	WASHER	1	
E11-43	210276030000	WASHER	1	
E11-46	210326030000	WASHER Φ 22 \times Φ 30 \times 1	1	
E11-49	210296030000	WASHER Φ 20	1	
E11-50	219216030000	DRIVER SHAFT ASSY	1	
E11-51	B12016020406	BEARING 6204-Z	2	
E11-52	210166030001	NUT M20 \times 1.0	1	
E11-53	210156030001	WASHER	1	
E11-54	269116030000	SPROCKET ENGINE, OIL PUMP	1	
E11-55	210146030000	BUSHING Φ 25, SPROCKET	1	
E11-56	210556030000	STOPPER	1	
E11-60	210096030000	WASHER	2	
E11-61	210106060000	CIRCLIP Φ 24	2	
E11-65	210076030000	WASHER	1	
E11-66	210066030000	WASHER	1	
E11-68	219136030001	COUNTER SHAFT ASSY	1	

E12 润滑系统分总成 LUBRICATE SYSTEM



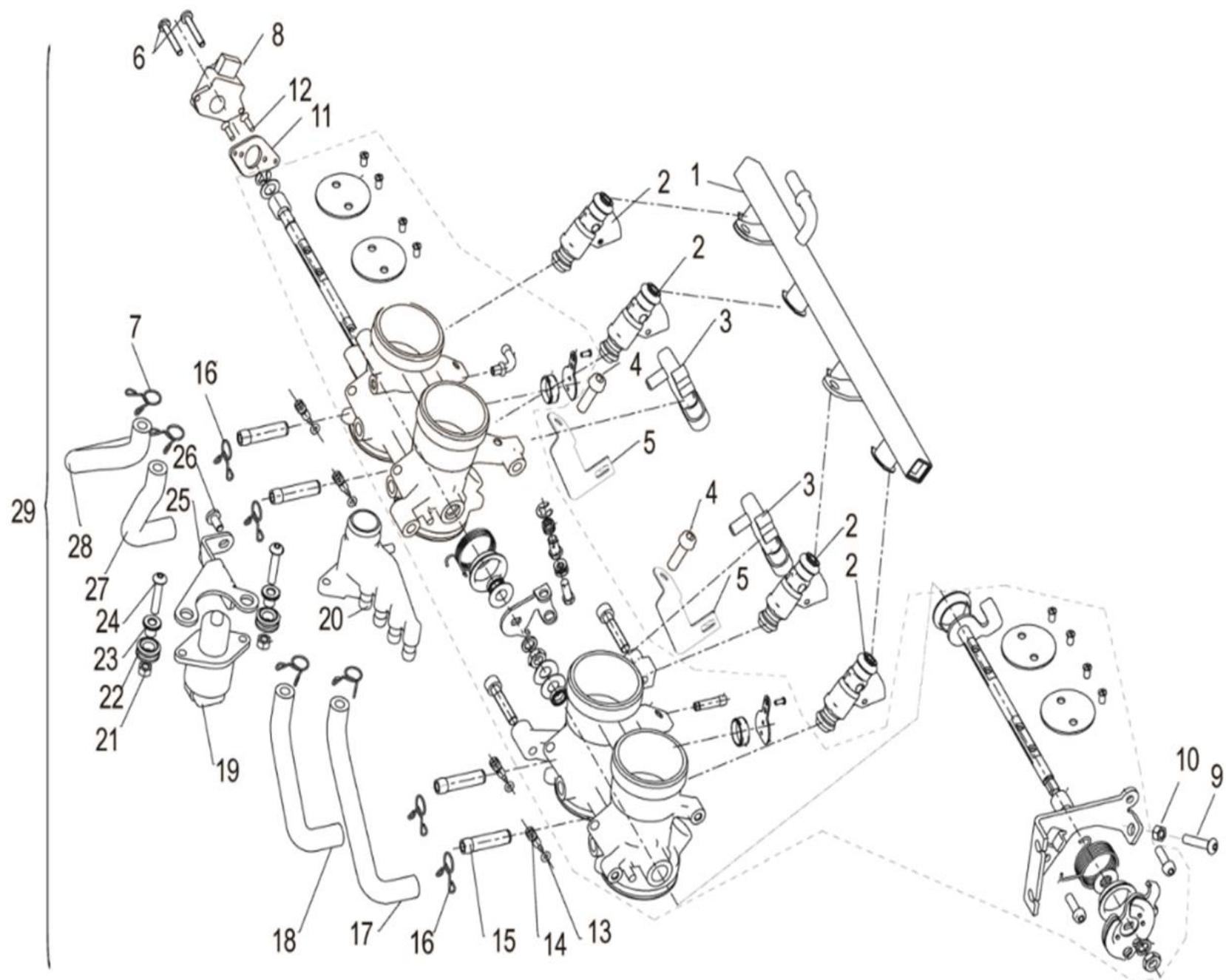
NO.	CODE	EN DESCRIPTION	QTY	REMARKS
E12-01	160106110000	JOINT BOLT	1	
E12-02	260146090011	OIL FILTER	1	
E12-03	279236030001	OIL COOLER ASSY	1	
E12-04	270036030000	ASSEMBLED GASKET	1	
E12-05	270046030100	BOLT M20×1.5×70	1	
E12-06	270226030000	O-RING	1	
E12-07	200086030000	ORIENTATION PIN Φ8×8	2	
E12-08	269106030000	OIL PUMP LID	1	
E12-09	B091403008A1	ORIENTATION PIN	2	
E12-10	B02040501629	SCREW M5×16	1	
E12-11	260086030000	WASHER 11×15×1	1	
E12-12	B090103016B0	PIN 3×16	1	
E12-13	260066030000	INSIDE & OUTSIDE ROTOR	1	
E12-15	269096030000	OIL PUMP BODY	1	
E12-16	269086030000	OIL PUMP SHAFT	1	
E12-17	B0107060406H	BOLT M6×40	3	
E12-18	269056030010	OIL PUMP CHAIN	1	
E12-19	260116030000	OIL PUMP CHAIN WHEEL	1	
E12-20	260106030000	GASKET 5×20×1.5	1	
E12-21	B0107050106H	BOLT M5×10	1	
E12-22	260126030010	OVERFALL VALVE	1	
E12-23	260186030000	CARELESS OIL FILTER ASSEMBLY	1	
E12-24	260036030000	THE CARELESS OIL FILTER COVER	1	
E12-25	160306030070	HEXAGON BOLT M6×30	16	
E12-26	260026030000	UNDERSIDE OIL COVER GASKET	1	
E12-27	170056030010	UNDERSIDE OIL COVER	1	
E12-28	260346030010	MAGNETISM BOLT	1	
E12-29	269016030001	OIL PUMP	1	
E12-30	260236030000	GASKET,OIL PUMP	1	

E13 冷却系统分总成 COOLING SYSTEM



NO.	CODE	EN DESCRIPTION	QTY	REMARKS
E13-01	279216030000	IMPELLER	1	
E13-02	270216030000	EKK SEAL COMPONENTS	1	
E13-03	270153160010	OIL SEAL 12×24×5	1	
E13-04	279316030010	WATER PUMP BODY,GREY	1	
E13-05	B190103350B2	O-RING 33.5×2.65	1	
E13-06	B12016000100	BEARING 6001	2	
E13-07	B08010001201	CIRCLIP	1	
E13-08	27922603001X	WATER PUMP SHAFT	1	
E13-09	150316030150	SCREW M6×40	2	
E13-10	27920603HT01	WATER PUMP,GREY	1	
E13-11	270076030000	PIPE	1	
E13-12	160306030030	BOLT M6×20	2	
E13-13	270345050000	WASHER	1	
E13-14	279336030010	WATER PUMP COVER,GREY	1	
E13-15	270066030010	SMALL SEAL RING	1	
E13-16	270166030000	BUSH	1	
E13-17	B08000002801	CIRCLIP 28	1	

E14 THROTTLE ASSY(节流阀体分总成)



NO.	CODE	EN DESCRIPTION	QTY	REMARKS
E14-01	280086030000	OIL ROAD	1	
E14-02	289036030000	OIL INSUFFLATING IMPLEMENT	4	
E14-03	96910PAK0000	INTAKE PRESSURE SENSOR	2	
E14-04	B02040501629	SCREW M5×16	2	
E14-05	280406030010	KICKSTAND II	2	
E14-06	B1308040102H	SCREW, SPRING WASHER, FLAT WASHER ASSY M4×10	2	
E14-07	B00010130007	CLAMP Φ13	4	
E14-08	280756030010	THROTTLE LOCATION SENSOR	1	
E14-09	B02000502529	SCREW M5×25	1	
E14-10	B04000500059	NUT M5	1	
E14-11	280116130000	FIXING BOARD	1	
E14-12	B02010401225	SCREW M4×12	1	
E14-13	280416090000	O RING,SCREW AIR	4	
E14-14	280406090000	SCREW,AIR	4	
E14-15	280716030000	PLUG	4	
E14-16	06103N140000	CLAMP	4	
E14-17	280636030000	TIMING SYSTEM HOSES IV	1	
E14-18	280626030000	TIMING SYSTEM HOSES III	1	
E14-19	280476030000	STEPPER MOTOR	1	
E14-20	280646030000	TIMING SYSTEM COMPONENTS	1	
E14-21	B04000500059	NUT M5	2	
E14-22	57039S010010	RUBBER CUSHION	2	
E14-23	49004S010000	BUSH T D5.2 D7.2	2	
E14-24	B02000502529	SCREW M5×25	2	
E14-25	280396030000	MOUNTING BRACKET I	1	
E14-26	B02000501029	SCREW M5×10	1	
E14-27	280616030000	TIMING SYSTEM HOSES II	1	
E14-28	280606030000	TIMING SYSTEM HOSES I	1	
E14-29	289006030130	THROTTLE ASSY.	1	