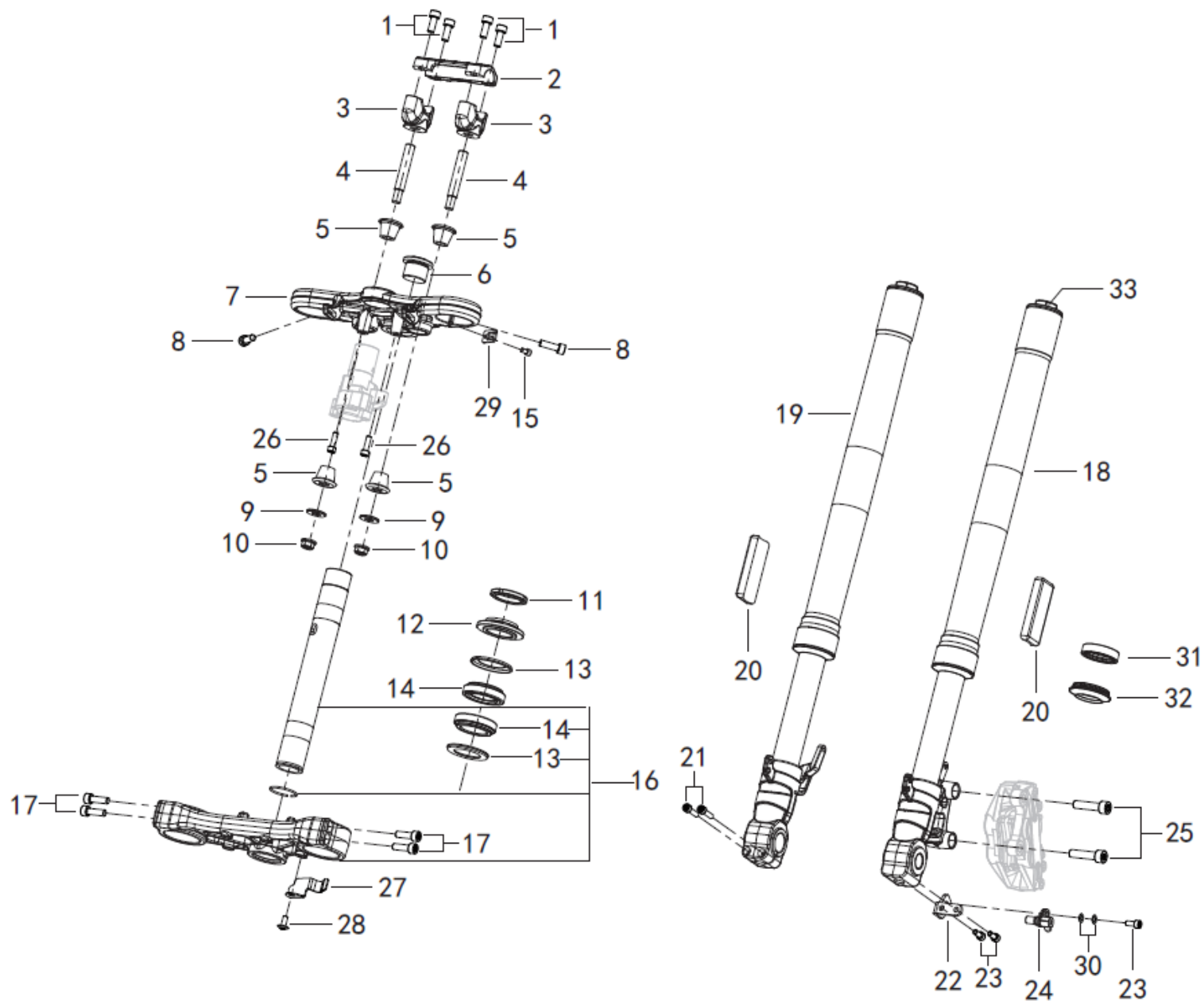


NO.	CODE	CN DESCRIPTION	EN DESCRIPTION	QTY	REMARKS
F01-01	40450P180001	左后视镜组件	MIRROR AS-LEFT	1	
F01-02	40480P180001	右后视镜组件	MIRROR AS-RIGHT	1	
F01-03	40101P260012	方向把	STEERING HANDLE	1	
F01-04	B0226060306S	内六角花形圆柱头螺钉M6×30	HEXAGON SOCKET HEAD CAP SCREW M6x30	2	
F01-05	B0700000060H	弹簧垫圈6	SPRING WASHER 6	2	
F01-06	40031P130003	平衡块	BALANCE WEIGHT	2	
F01-07	40040P130000	缓冲衬套	BUFFER BUSHING	2	
F01-08	B080000020A1	孔用弹性挡圈20	CIRCLIP FOR HOLE 20	2	
F01-09	40032P250000	平衡块安装座	BALANCE BLOCK MOUNTING	2	
F01-10	40001K740000	左方向把套	LEFT HANDLEBAR GRIP	1	
F01-11	40500N490002	左组合开关	LEFT COMBINATION SWITCH	1	
F01-12	40600N490003	右组合开关	RIGHT COMBINATION SWITCH	1	
F01-13	40210P280000	右握把组件	RIGHT GRIP ASSY	1	
F01-14	40300P320003	油门线组件 I	ACCELERATOR LINE ASSY I	1	
F01-15	40330P320003	油门线组件 II	ACCELERATOR LINE ASSY II	1	
F01-16	40400P060002	离合器线组件	LINE AS-CLUTCH	1	
F01-17	96003P250000	软线夹	CORD CLAMP	4	
F01-18	B090406014AH	销轴6×14	PIN SHAFT Φ 6×14	1	
F01-19	B090002018AH	开口销2×18	SPLIT PIN Φ 2×18	1	
F01-20	40080P250000	左手柄组件	CLUTCH LEVER ASSY	1	
F01-21	43035J040000	里程表线线夹	ODOMETER CLAMP	1	
F01-23	40084P250001	离合器手柄	CLUTCH LEVER	1	
F01-24	91090P250000	离合开关组件	CLUTCH SWITCH ASSY	1	
F01-25	40012P130000	后视镜橡胶堵头	REAR VIEW MIRROR RUBBER PLUG	2	

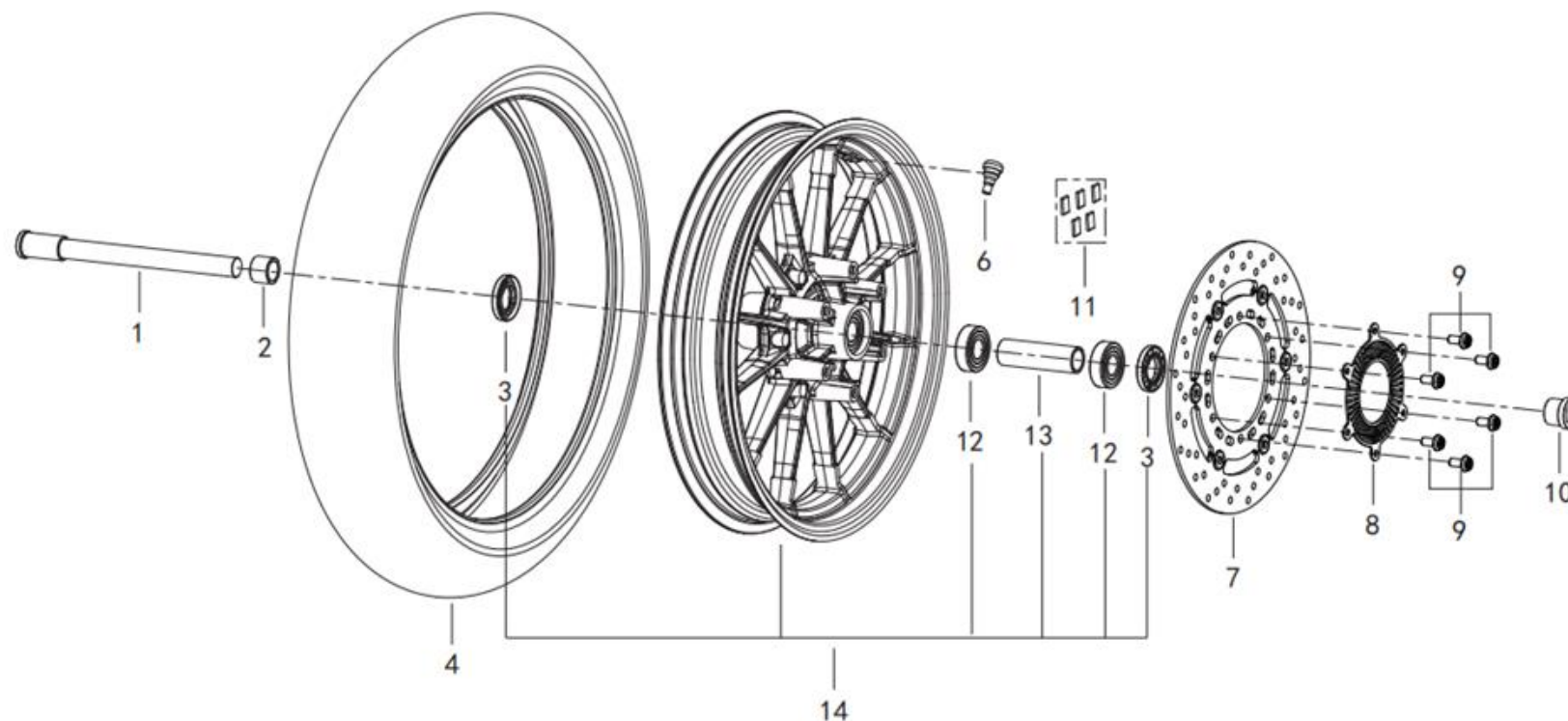
F02 前叉总成 FORK ASSY.



NO.	CODE	CN DESCRIPTION	EN DESCRIPTION	QTY	REMARKS
F02-01	08001P32000J	内六角螺钉M8×25	HEXAGON SOCKET HEAD CAP SCREW M8×25	4	
F02-02	43014P540001	手把上压块	PRESS THE HANDLE ON THE BLOCK	1	
F02-03	43014P010100	下把手定位器	LOWER HANDLE LOCATOR	2	

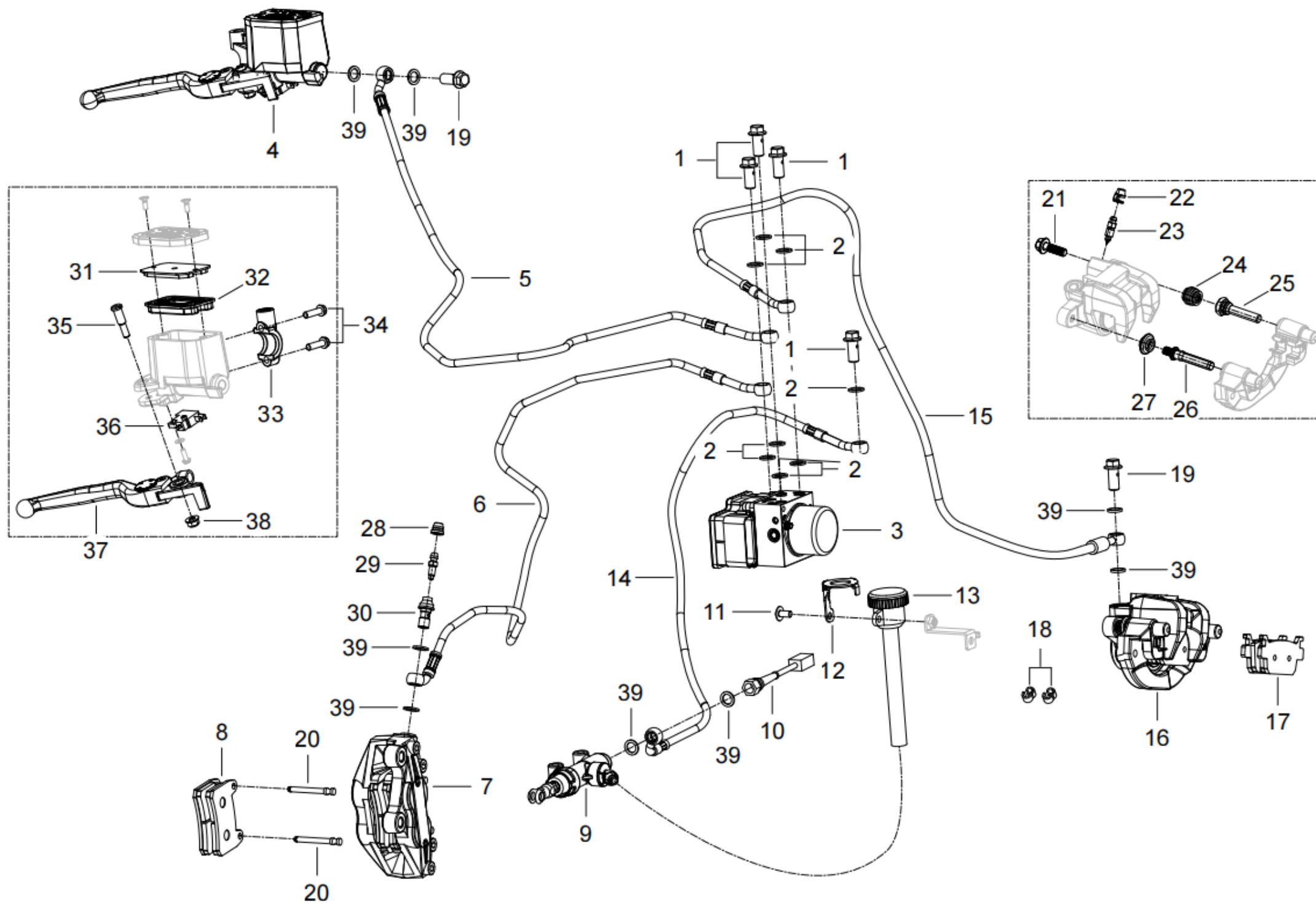
NO.	CODE	CN DESCRIPTION	EN DESCRIPTION	QTY	REMARKS
F02-04	40086P010002	把手定位双头螺柱	HANDLE POSITIONING STUD	2	
F02-05	47015P010010	消音塞	SILENCING PLUG	4	
F02-06	43049P250000	上联板紧固螺钉	UPPER CONNECTING PLATE FASTENING SCREW	1	
F02-07	43011P540000	上联板	UPPER CONNECTING PLATE	1	
F02-08	08001P32000J	内六角花形圆柱头螺钉M8×25	HEXAGON SOCKET HEAD CAP SCREW M8×25	2	
F02-09	40089P010100	把手定位垫片	HANDLE POSITIONING GASKET	2	
F02-10	B04821012552	自锁螺母M10×1.25	SELF LOCKING NUT M10×1.25	2	
F02-11	43008S010010	上联板紧固螺母	FASTENING NUT OF UPPER CONNECTING PLATE	1	
F02-12	43009P260000	压紧螺母	COMPRESSION NUT	1	
F02-13	43005S010000	防尘圈	DUST RING	2	
F02-14	43130S010000	转向轴承	STEERING BEARING	2	
F02-15	B0226040106S	内六角花形圆柱头螺钉M4×10	HEXAGON SOCKET HEAD CAP SCREW M4×10	1	
F02-16	43100N25010Z	下联板组件	LOWER COUPLING PLATE ASSY	1	
F02-17	08002P56000J	内六角花形圆柱头螺钉M8×30	HEXAGON SOCKET HEAD CAP SCREW M8×30	4	
F02-18	43200N221103	前左减震器组件	FRONT LEFT SHOCK ABSORBER ASSY	1	
F02-19	43300N221103	前右减震器组件	FRONT RIGHT SHOCK ABSORBER ASSY	1	
F02-20	86200P250001	前侧反射体	FRONT REFLECTOR	2	
F02-21	B0226060306S	内六角花形圆柱头螺钉M6×30	HEXAGON SOCKET HEAD CAP SCREW M6×30	2	
F02-22	45094P100000	ABS连接块	ABS CONNECTION BLOCK	1	
F02-23	B0226060126S	内六角花形圆柱头螺钉M6×12	HEXAGON SOCKET HEAD CAP SCREW M6×12	3	
F02-24	45710P100000	前轮速传感器	FRONT WHEEL SPEED SENSOR	1	
F02-25	B0276100406P	内六角圆柱头螺钉 M10×1.25×40	HEXAGON SOCKET HEAD SCREW M10×1.25×40	2	
F02-26	B0226060206S	内六角花形盘头螺钉M6×20	HEXAGON SOCKET PAN HEAD SCREW M6×20	2	
F02-27	43035P420000	液刹管线夹	HYDRAULIC BRAKE PIPE CLAMP	1	
F02-28	08002P620002	内六角花形法兰面螺钉M6×14	HEXAGON SOCKET FLANGE SCREW M6×14	1	
F02-29	43021P540000	仪表线夹	INSTRUMENT CLAMP	1	
F02-30	43283P100010	垫片	SHIM	2	
F02-31	43260K990000	油封组件	OIL SEAL	2	
F02-32	43290N100000	防尘圈组件	DUST RING ASSY	2	
F02-33	43204J300002	螺栓	BOLT	2	

F03 前轮总成 FRONT WHEEL ASSY.



NO.	CODE	CN DESCRIPTION	EN DESCRIPTION	QTY	REMARKS
F03-01	44004P060001	前轮轴	FRONT WHEEL AXLE M20×1.5×205	1	
F03-02	44016P100100	前轮右衬套	RIGHT FRONT WHEEL BUSHING	1	
F03-03	60200J000001	防尘圈组件	DUST RING ASSY	2	
F03-04	B140107E1620	真空胎120/80-16	VACUUM TIRE 120 / 80-16	1	
F03-06	B1403Z201100	气门嘴	VALVE STEM	1	
F03-07	45030P540000	前制动盘组件	FRONT BRAKE DISC ASSY	1	
F03-08	45702P100000	前轮速齿圈	FRONT WHEEL SPEED RING GEAR	1	
F03-09	08005P620000	薄内六角花形法兰面螺钉M8×16	THIN HEXAGON FLANGE SCREW M8×16	6	
F03-10	44005P100100	前轮左衬套	LEFT FRONT WHEEL BUSHING	1	
F03-11	44091P290000	5克动平衡块	5G DYNAMIC BALANCE WEIGHT	5	
F03-12	B12016020400	滚动轴承6204-2RS	ROLLING BEARING 6204-2RS	2	
F03-13	44006P100100	前中间隔套	FRONT AND MIDDLE SPACER SLEEVE	1	
F03-14	44100P54001Z	前轮圈组件	FRONT WHEEL RIM ASSEMBLY	1	

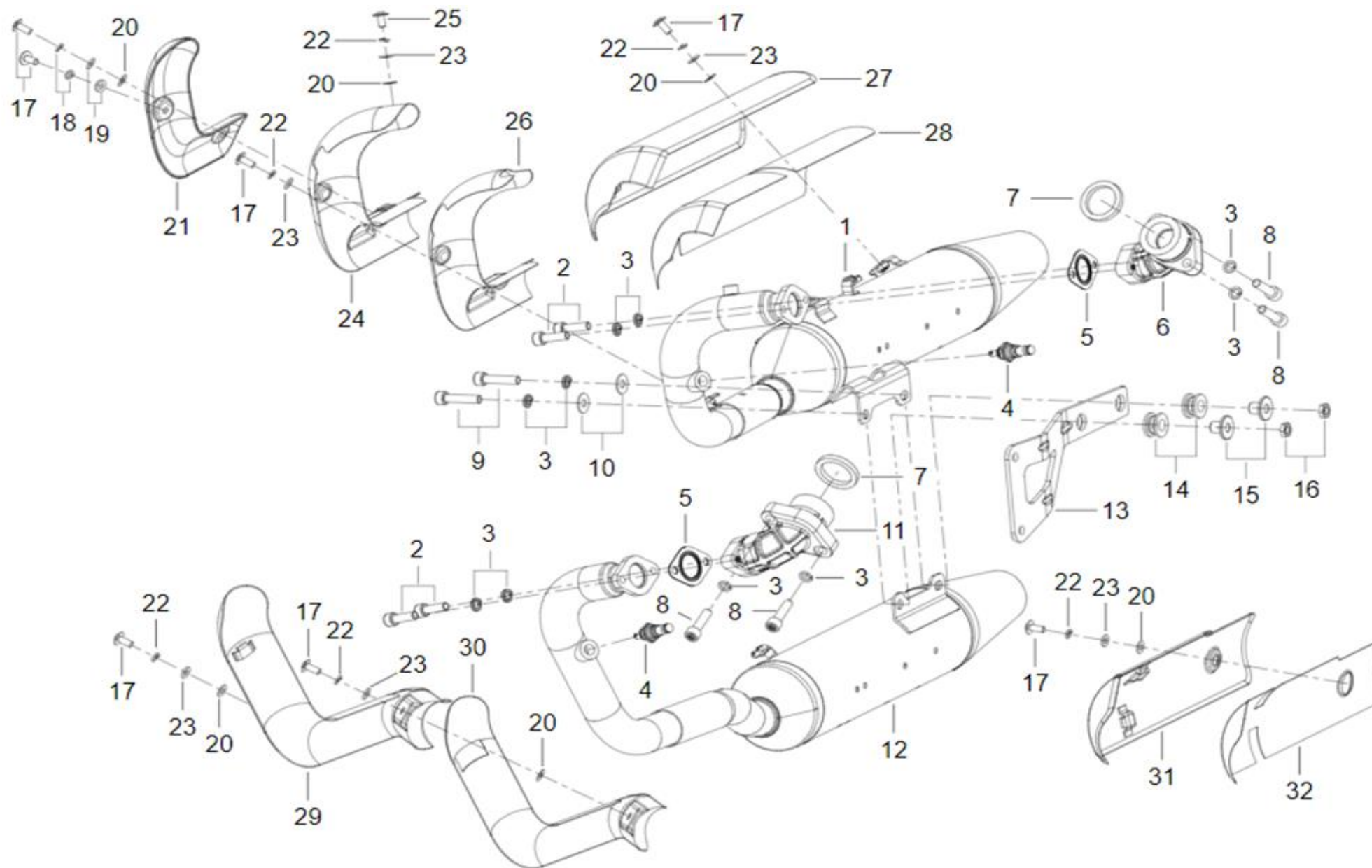
F04 液刹总成 BRAKE ASSY.



NO.	CODE	CN DESCRIPTION	EN DESCRIPTION	QTY	REMARKS
F04-01	55037P250100	ABS油管螺栓	ABS OIL PIPE BOLT	4	
F04-02	45078P440001	垫圈	WASHER	8	
F04-03	45700P540010	双通道ABS总成	DUAL CHANNEL ABS ASSY	1	
F04-04	45400N300010	前油泵体组件	FRONT OIL PUMP BODY ASSY	1	
F04-05	45240P540000	前液刹油管总成I	FRONT HYDRAULIC BRAKE OIL PIPE ASSY I	1	
F04-06	45270P540000	前液刹油管总成II	FRONT HYDRAULIC BRAKE OIL PIPE ASSY II	1	
F04-07	45500J800015	前左制动缸组件	FRONT LEFT BRAKE CYLINDER ASSY	1	
F04-08	45110P100001	前摩擦片组件	FRONT FRICTION PLATE ASSY	1 set	
F04-09	55400P540000	后油泵体组件	BODY AS-REAR OIL PUMP	1	
F04-10	55300P100001	后刹车压力开关	REAR BRAKE PRESSURE SWITCH	1	
F04-11	08002P620002	内六角花形法兰面螺钉M6×14	HEXAGON SOCKET FLANGE SCREW M6×14	1	
F04-12	57041V030001	油杯防拆盖	OIL CUP ANTI REMOVAL COVER	1	
F04-13	55140P260000	后油杯组件	REAR OIL CUP ASSY	1	
F04-14	55270P540000	后液刹油管总成II	REAR HYDRAULIC BRAKE OIL PIPE ASSY II	1	
F04-15	55240P540000	后液刹油管总成I	REAR HYDRAULIC BRAKE OIL PIPE ASSY I	1	
F04-16	55500P100130	后制动缸组件	REAR BRAKE CYLINDER ASSY	1	
F04-17	55110P100001	后摩擦片组件	BRAKE PAD ASSY,REAR (2PCS/SET)	1 set	
F04-18	50920S070000	传感器线卡扣	SENSOR WIRE CLIP	8	
F04-19	45037J000200	六角法兰面螺栓	HEXAGON FLANGE FACE BOLT	2	
F04-20	45074J800001	导轴	GUIDE SHAFT	2	
F04-21	B01090802562	螺栓	BOLT	1	
F04-22	45021J000000	放气嘴防尘罩	EXHAUST NOZZLE DUST COVER	1	
F04-23	45019J000000	放气嘴	VENT NOZZLE	1	
F04-24	55016P100000	导柱防尘罩	GUIDE POST DUST COVER	1	
F04-25	55053P100000	导柱2	GUIDE POST 2	1	
F04-26	55014P100000	导柱1	GUIDE POST 1	1	
F04-27	55015P100000	导柱防尘罩	GUIDE POST DUST COVER	1	
F04-28	45021B510000	放气嘴防尘罩	EXHAUST NOZZLE DUST COVER	1	
F04-29	45019N100100	放气嘴	VENT NOZZLE	1	
F04-30	45037P300200	油管安装螺栓	TUBING MOUNTING BOLT	1	

NO.	CODE	CN DESCRIPTION	EN DESCRIPTION	QTY	REMARKS
F04-31	45013P300001	油杯衬垫	OIL CUP LINER	1	
F04-32	45011P300001	油杯垫	OIL COASTER	1	
F04-33	45023P250000	手柄固定盖	HANDLE FIXING COVER	1	
F04-34	B02810602562	螺钉M6X25-8.8-ZG	SCREW M6X25-8.8-ZG	2	
F04-35	45024P300000	手柄固定螺栓	HANDLE FIXING BOLT	1	
F04-36	45300J000010	前制动开关组件	FRONT BRAKE SWITCH ASSEMBLY	1	
F04-37	45020P300000	前液刹手柄组件	FRONT LIQUID BRAKE HANDLE ASSEMBLY	1	
F04-38	B04170600055	自锁螺母	SELF-LOCKING NUT	1	
F04-39	45180J000100	密封垫圈	SEAL WASHER	8	

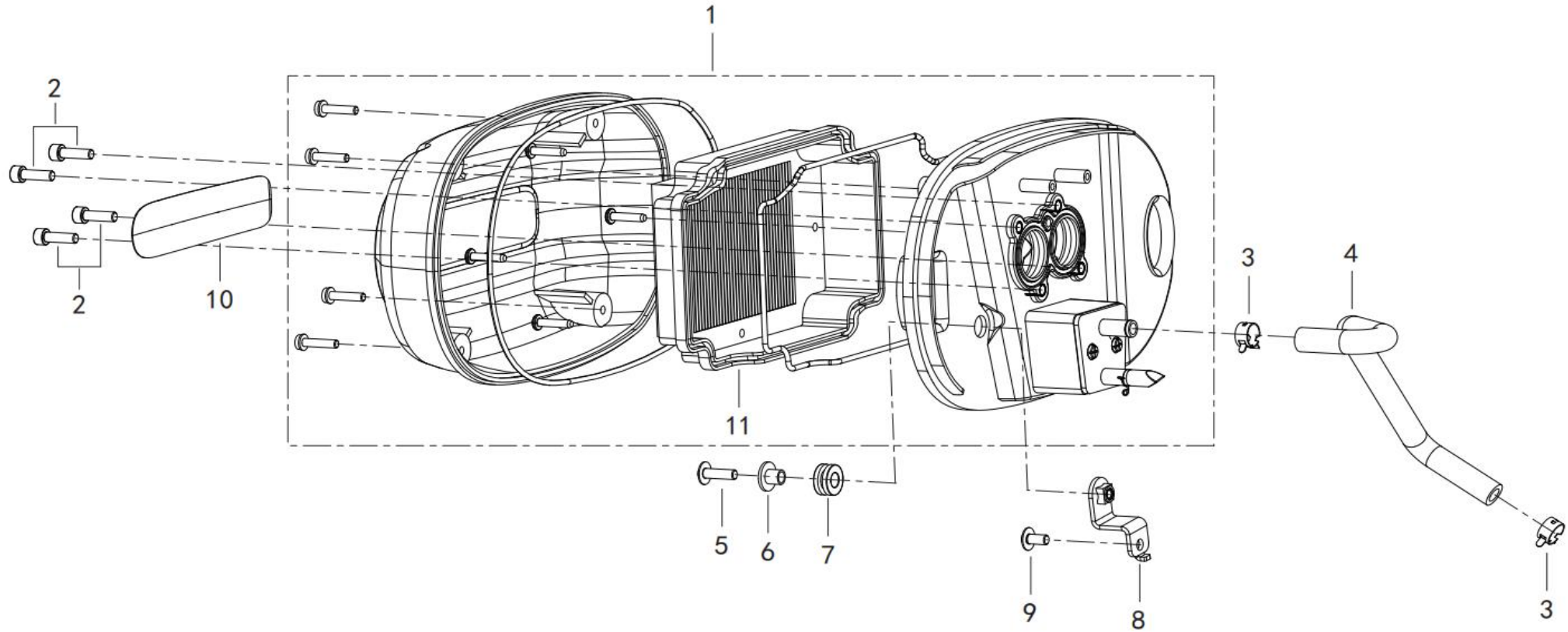
F05 消声器总成 MUFFLER ASSY.



NO.	CODE	CN DESCRIPTION	EN DESCRIPTION	QTY	REMARKS
F05-01	47100P540021	消声器焊接组件	MUFFLER AS-REAR	1	
F05-02	B0281080256G	螺栓M8×25	BOLT M8×25	4	
F05-03	B0700000080A	弹簧垫圈8	SPRING WASHER 8	10	

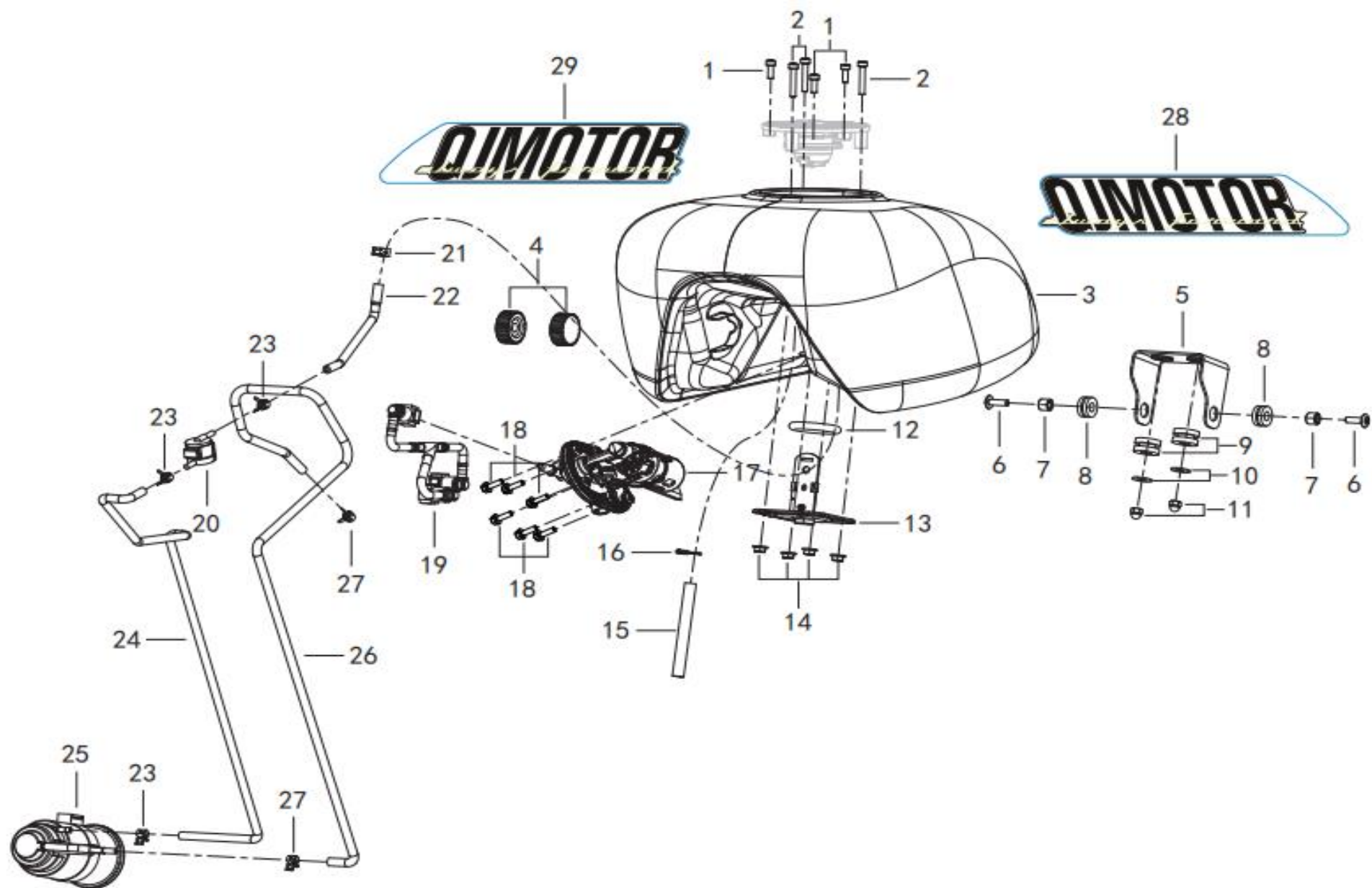
NO.	CODE	CN DESCRIPTION	EN DESCRIPTION	QTY	REMARKS
F05-04	31902P540001	氧传感器	OXYGEN SENSOR	2	
F05-05	47490P540000	密封垫组件	GASKET AS-GASKET	2	
F05-06	47841P540000	排气歧管 I	EXHAUST MANIFOLD I	1	
F05-07	47800J060000	排气管衬垫组件	EXHAUST PIPE GASKET ASSY	2	
F05-08	B0226080356S	内六角花形圆柱头螺钉M8×35	HEXAGON SOCKET HEAD SCREW M8×35	4	
F05-09	B02810803562	螺栓M8×1.25×35	BOLT M8×1.25×35	2	
F05-10	54018J04000A	垫片	SHIM	2	
F05-11	48841P540000	排气歧管 II	EXHAUST MANIFOLD II	1	
F05-12	48100P540021	消声器焊接组件	MUFFLER AS-FRONT	1	
F05-13	58080P540000	消音器安装座	MUFFLER MOUNT	1	
F05-14	65617H010010	橡胶套II	RUBBER SLEEVE II	2	
F05-15	65613P260000	护板衬套	SHIELD BUSHING	2	
F05-16	B0402080001H	六角薄螺母M8	HEXAGON THIN NUT M8	2	
F05-17	08002P620002	内六角花形法兰面螺钉M6×14	HEXAGON SOCKET FLANGE SCREW M6×14	7	
F05-18	B0700000060H	弹簧垫圈6	SPRING WASHER 6	2	
F05-19	B0702000060H	垫圈Φ6	WASHER Φ 6	2	
F05-20	08022N050000	隔热垫片	INSULATION GASKET	6	
F05-21	47024P54MM00	装饰罩 III	DECORATIVE COVER III	1	
F05-22	B0700000060H	弹簧垫圈φ6	SPRING WASHER Φ 6	6	
F05-23	B0702000060H	垫圈φ6	WASHER Φ 6	6	
F05-24	47020P54MM00	装饰罩组件	COVER AS-TRIM	1	
F05-25	08002P620001	内六角花形法兰面螺钉M6×12	HEXAGON SOCKET TORX FLANGE SCREW M6×12	1	
F05-26	47041P540000	装饰罩隔热锡箔纸 I	DECORATIVE COVER THERMAL INSULATION TIN FOIL PAPER I	1	
F05-27	47760P54MM00	装饰罩组件	COVER AS-TRIM	1	
F05-28	47042P540000	装饰罩隔热锡箔纸 II	DECORATIVE COVER THERMAL INSULATION TIN FOIL PAPER II	1	
F05-29	48020P54MM00	装饰罩组件	COVER AS-TRIM	1	
F05-30	48041P540000	装饰罩隔热锡箔纸 I	DECORATIVE COVER THERMAL INSULATION TIN FOIL PAPER I	1	
F05-31	48760P54MM00	装饰罩组件	COVER AS-TRIM	1	
F05-32	48042P540000	装饰罩隔热锡箔纸 II	DECORATIVE COVER THERMAL INSULATION TIN FOIL PAPER II	1	

F06 空滤器总成 AIR CLEANER ASSY.



NO.	CODE	CN DESCRIPTION	EN DESCRIPTION	QTY	REMARKS
F06-01	49100P540001	空滤器组件	AIR FILTER ASSY	1	
F06-02	160306030030	六角内梅花螺栓	HEXAGON TORX BOLT M6×20	4	
F06-03	50307J140300	板式卡箍	PLATE CLAMP	2	
F06-04	49025P540000	废气回收管	WASTE GAS RECOVERY PIPE	1	
F06-05	08002P620003	内六角花形法兰面螺钉M6×20	HEXAGON SOCKET FLANGE SCREW M6×20	1	
F06-06	27097505001X	衬套	BUSHING	1	
F06-07	65616L430000	护板橡胶垫	GUARD RUBBER PAD	1	
F06-08	57910P540000	空滤器安装座	AIR FILTER MOUNTING BASE	1	
F06-09	08002P620001	内六角花形法兰面螺钉M6×12	HEXAGON SOCKET FLANGE SCREW M6×12	1	
F06-10	05561N470000	空滤器装饰镍标牌	DECORATIVE NICKEL LABEL OF AIR FILTER	1	
F06-11	49200P540000	滤芯组件	FILTER ELEMENT ASSY	1	

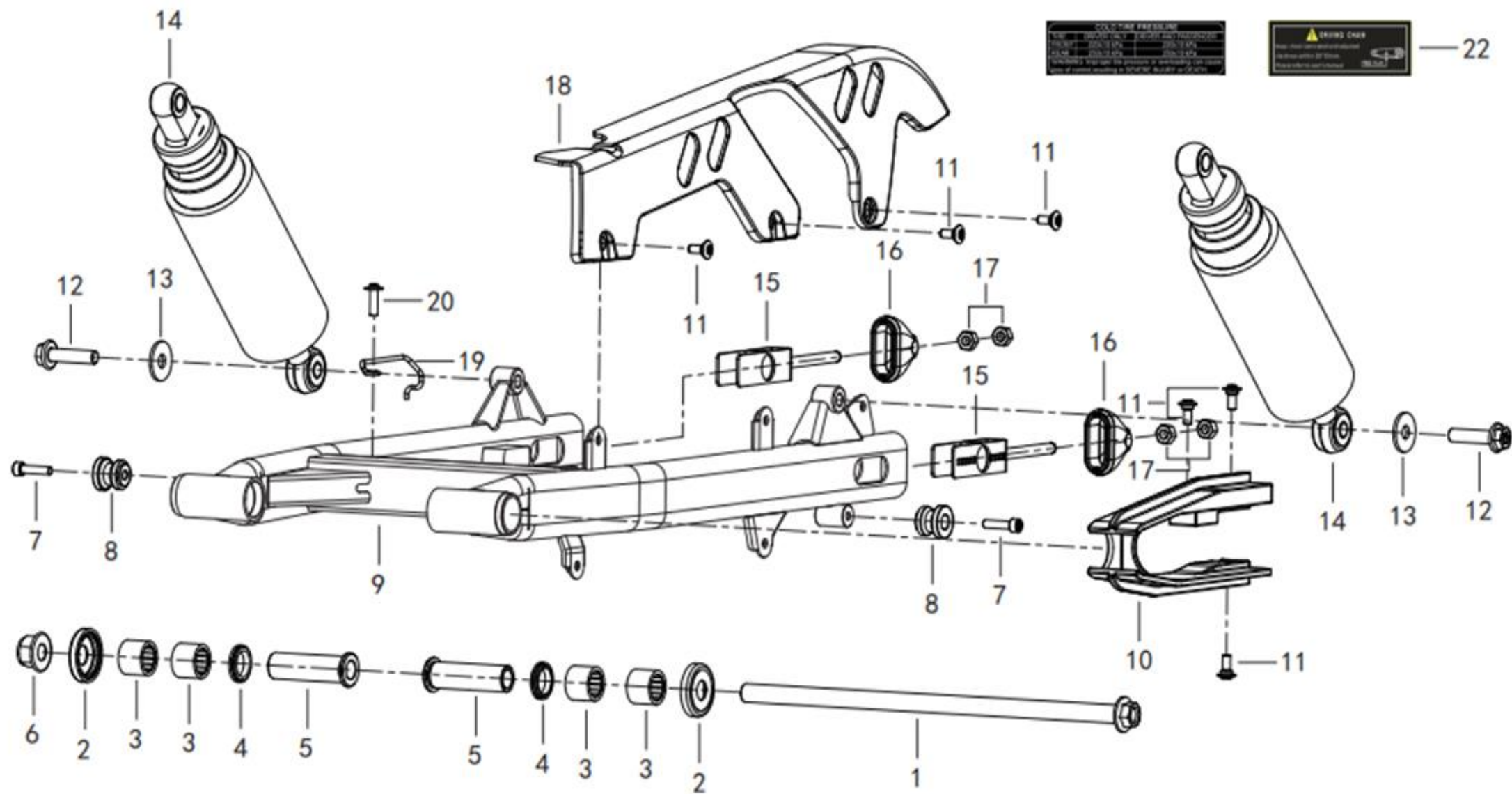
F07 油箱总成 FUEL TANK ASSY.



NO.	CODE	CN DESCRIPTION	EN DESCRIPTION	QTY	REMARKS
F07-01	B0226050146A	内六角花形圆柱头螺钉M5×14	HEXAGON SOCKET HEAD CAP SCREW M5×14	3	
F07-02	B0226050306A	内六角花形圆柱头螺钉M5×30	HEXAGON SOCKET HEAD CAP SCREW M5×30	3	
F07-03	50100P54018Z	油箱体组件/哑黑(BG)+2张贴花	FUEL TANK ASSY, MATT BLACK BG WITH STICKERS	1	

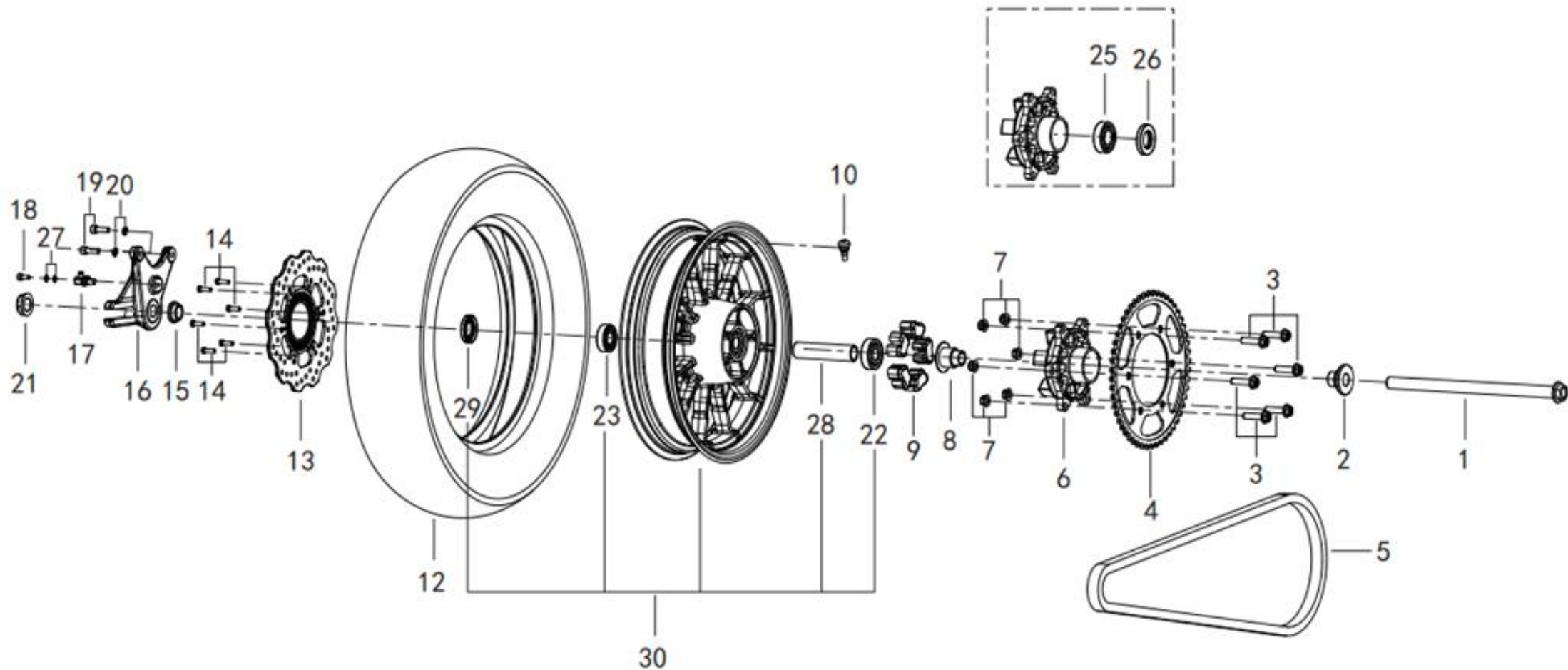
NO.	CODE	CN DESCRIPTION	EN DESCRIPTION	QTY	REMARKS
F07-03	50100P54030Z	油箱体组件/军绿(G9)+2张贴花	FUEL TANK ASSY, MATT GREEN G9 WITH STICKERS	1	
F07-03	50100P54016Z	油箱体组件/炫酷橙(MK)+2张贴花	FUEL TANK ASSY, COOL ORANGE MK WITH STICKERS	1	
F07-04	50005J000000	缓冲垫	CUSHION	2	
F07-05	50027P540000	油箱安装板	TANK MOUNTING PLATE	1	
F07-06	08002P620003	内六角花形法兰面螺钉M6×20	HEXAGON SOCKET FLANGE SCREW M6×20	2	
F07-07	65517J900101	大灯衬套	RUBBER LINER	2	
F07-08	82011J210000	尾灯固定橡胶垫	TAIL LAMP FIXING RUBBER PAD	2	
F07-09	50005P250000	油箱前安装垫	OIL TANK FRONT MOUNTING PAD	2	
F07-10	B0702000060H	垫圈Φ6	WASHER Φ 6	2	
F07-11	B0422060004H	盖形螺母M6	NUT M6	2	
F07-12	50002K020000	传感器橡胶垫	SENSOR RUBBER PAD	1	
F07-13	50800P540000	燃油传感器组件	FUEL SENSOR ASSY	1	
F07-14	B0417060004H	自锁螺母M6	SELF LOCKING NUT M6	4	
F07-15	55065E070000	油管11×7	TUBING 11×7	1	
F07-16	B1701010500H	钢丝卡箍10.5	STEEL WIRE CLAMP 10.5	1	
F07-17	50400P540000	燃油泵	FUEL PUMP	1	
F07-18	08012P620001	内六角花形六角法兰面螺栓M5×16	HEXAGON SOCKET HEXAGON FLANGE BOLT M5x16	6	
F07-19	50070P540000	高压油管组件	HIGH PRESSURE OIL PIPE ASSY	1	
F07-20	50260T730003	倾倒阀组件	VEHICLE DOWN SENSOR	1	
F07-21	49016B350300	板式卡箍φ8.5×8×0.6	PLATE CLAMP φ8.5×8×0.6	1	
F07-22	49905P540000	倾倒阀与油箱连接管	PIPE BETWEEN DUMP VALVE AND OIL TANK	1	
F07-23	50306T450300	板式卡箍φ8	PLATE CLAMP φ8	3	
F07-24	49902P540000	碳罐与倾倒阀连接管	PIPE BETWEEN CARBON CANISTER & DUMP VALVE	1	
F07-25	49910J480005	碳罐组件	CARBON CANISTER ASSY	1	
F07-26	49924P540000	碳罐与进气管连接管	PIPE BETWEEN CARBON CANISTER & INTAKE PIPE	1	
F07-27	50307J140302	板式卡箍φ10	PLATE CLAMP 10	2	
F07-28	05531P54BG01	油箱左贴花	STICKER, FUEL TANK LEFT - MATT BLACK	1	FOR BLACK COLOUR BIKE
F07-28	05531P54MK01	油箱左贴花	STICKER, FUEL TANK LEFT - MATT GREEN	1	FOR GREEN & ORANGE BIKE
F07-29	05532P54BG01	油箱右贴花	STICKER, FUEL TANK RIGHT - MATT BLACK	1	FOR BLACK COLOUR BIKE
F07-29	05532P54MK01	油箱右贴花	STICKER, FUEL TANK RIGHT - MATT GREEN	1	FOR GREEN & ORANGE BIKE

F08 后摆臂总成 REAR SWINGING ARM ASSY.



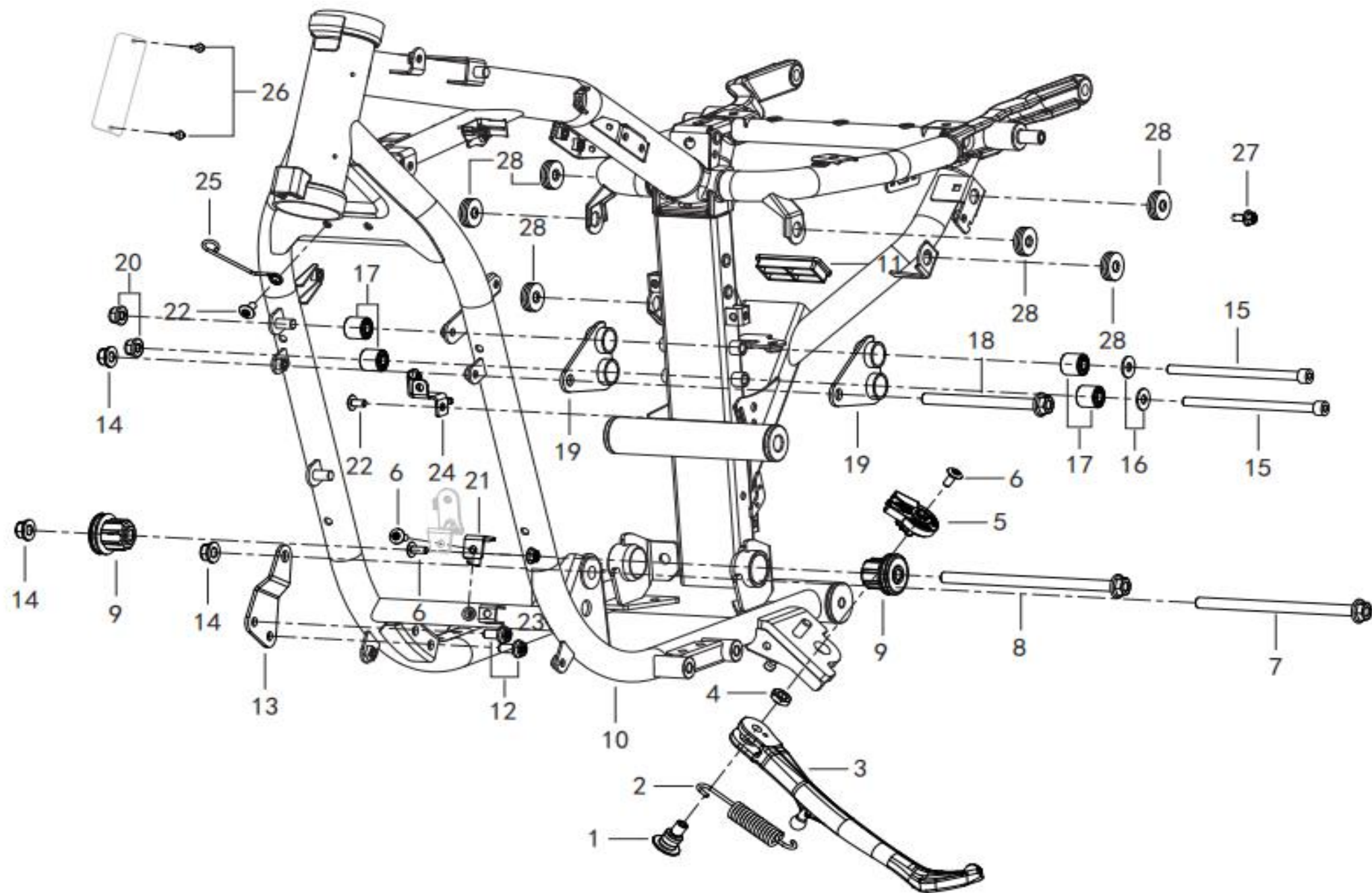
NO.	CODE	CN DESCRIPTION	EN DESCRIPTION	QTY	REMARKS
F08-01	53001P540000	后摆臂轴	REAR SWING ARM SHAFT	1	
F08-02	53220J690000	防尘圈组件	DUST RING ASSY	2	
F08-03	B1212K202000	滚针轴承HK2020	NEEDLE ROLLER BEARING HK2020	4	
F08-04	53210J060000	轴承油封	BEARING OIL SEAL	2	
F08-05	53005N220000	后摆臂轴套	REAR SWING ARM SLEEVE	2	
F08-06	B0417141504H	自锁螺母M14×1.5	SELF LOCKING NUT M14×1.5	1	
F08-07	B0226060256S	内六角花形圆柱头螺钉M6×25	HEXAGON SOCKET HEAD CAP SCREW M6×25	2	
F08-08	53021P250000	支撑套	SUPPORT SLEEVE	2	
F08-09	53100P540001	后摆臂焊接组件	REAR SWING ARM WELDING ASSY	1	
F08-10	53004P540000	链条防护块	CHAIN GUARD BLOCK	1	
F08-11	08003P620000	内六角花形法兰面台阶螺钉M6×15	HEXAGON FLANGE STEP SCREW M6×15	6	
F08-12	08015P620004	内六角法兰面螺栓 M10×1.25×40	HEXAGON FLANGE BOLT M10×1.25×40	2	
F08-13	B0702000100H	大垫圈Φ10	LARGE GASKET Φ 10	2	
F08-14	63800P540000	后减震器组件	SHOCK ABSORBER AS-REAR	2	
F08-15	53230P540000	链条调节器组件	REGULATOR AS-CHAIN	2	
F08-16	53234K980000	链条调节器压板	PRESSURE PLATE,CHAIN ADJUSTER	2	
F08-17	B0400080005H	螺母M8	NUT M8	4	
F08-18	60101P540001	上链罩	UPPER CHAIN COVER	1	
F08-19	57014P540000	钢丝线夹	WIRE CLAMP	1	
F08-20	08002P620003	内六角花形法兰面螺钉M6×20	HEXAGON SOCKET FLANGE SCREW M6×20	1	
F08-22	05551J000010	链条调整标贴	CHAIN ADJUSTMENT LABEL	1	

F09 后轮总成 REAR WHEEL ASSY.



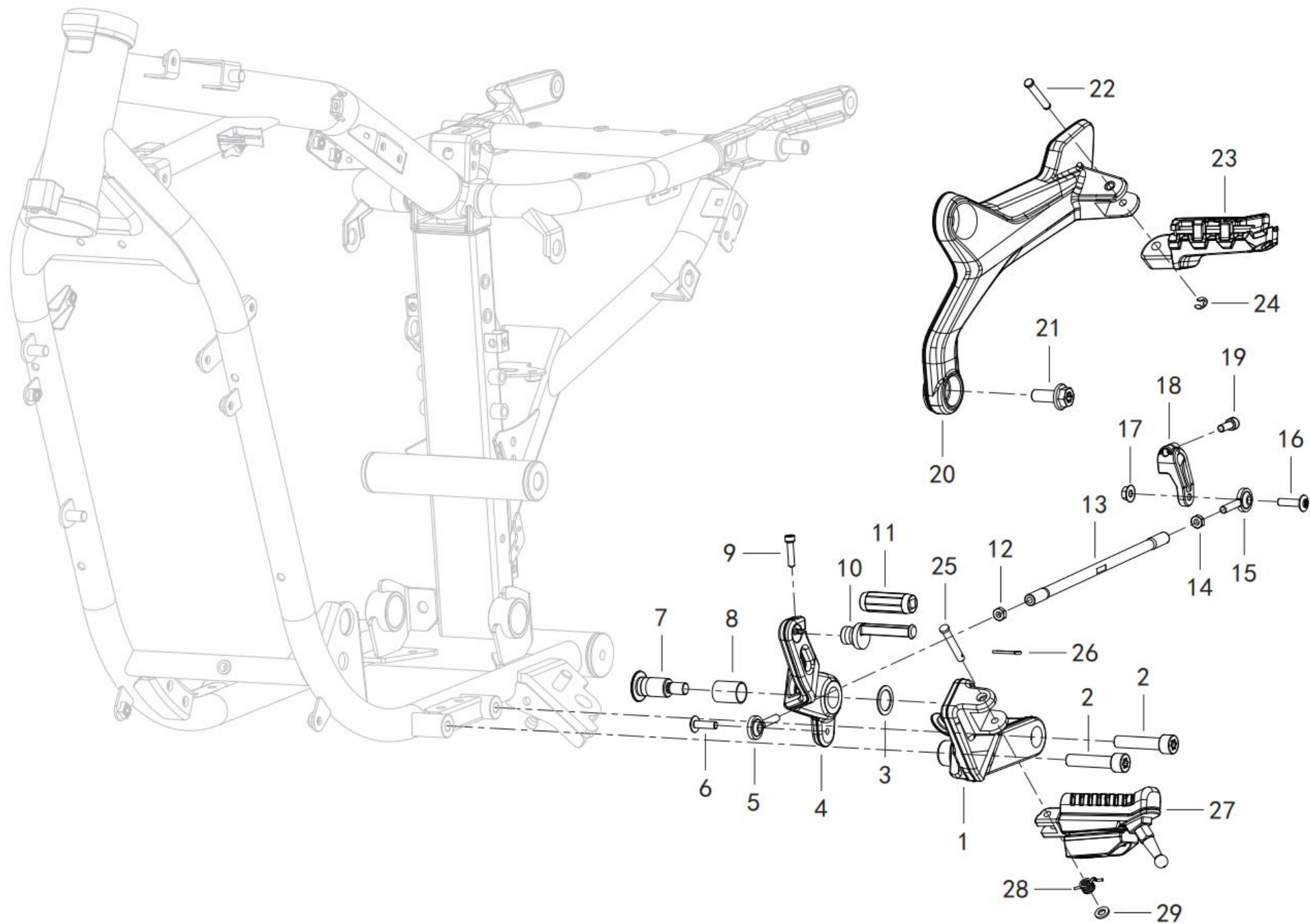
NO.	CODE	CN DESCRIPTION	EN DESCRIPTION	QTY	REMARKS
F09-01	53001P060001	后摆臂安装轴	SWING ARM SHAFT M20×1.5×338	1	
F09-02	54016P540000	后轮左轴套	REAR WHEEL LEFT AXLE SLEEVE	1	
F09-03	08015P620004	内六角法兰面螺栓M10×1.25×40	HEXAGON FLANGE BOLT M10×1.25×40	6	
F09-04	60002P540001	链轮	SPROCKET	1	
F09-05	60310P540001	链条520X2-1-112	CHAIN 520X2-1-112	1	
F09-06	60001P54000Z	链轮毂组合	CHAIN HUB ASSY	1	
F09-07	B04821012552	自锁螺母M10×1.25	SELF LOCKING NUT M10×1.25	6	
F09-08	60006P160000	链传动轴套	CHAIN DRIVE SHAFT SLEEVE	1	
F09-09	54024P160001	后轮缓冲块	REAR WHEEL BUFFER	5	
F09-10	B1403Z201100	气门嘴	VALVE STEM	1	
F09-12	B140110E1520	真空胎150/80-15	VACUUM TIRE 150 / 80-15	1	
F09-13	55030P090001	后制动盘组件	DISC AS-REAR BRAKE	1	
F09-14	08013P06000J	螺钉M6×20	SCREW M6×20	6	
F09-15	54005P100100	后轮右衬套	REAR WHEEL RIGHT BUSHING	1	
F09-16	55401P540000	后液刹挂板	REAR HYDRAULIC BRAKE HANGING PLATE	1	
F09-17	45710P100000	前轮速传感器	FRONT WHEEL SPEED SENSOR	1	
F09-18	B0226060126S	内六角花形圆柱头螺钉M6×12	HEXAGON SOCKET HEAD CAP SCREW M6×12	1	
F09-19	08001P32000J	内六角花形圆柱头螺钉M8×25	HEXAGON SOCKET HEAD CAP SCREW M8×25	2	
F09-20	B0700000080A	弹簧垫圈8	SPRING WASHER 8	2	
F09-21	08051P100100	自锁螺母M20×1.5	SELF LOCKING NUT M20×1.5	1	
F09-22	B12016030400	滚动轴承6304-2RS	ROLLING BEARING 6304-2RS	1	
F09-23	B12016020400	滚动轴承6204-2RS	ROLLING BEARING 6204-2RS	1	
F09-25	B12016020500	滚动轴承6205-2RS	ROLLING BEARING 6205-2RS	1	
F09-26	54300P160000	油封组件	OIL SEAL	1	
F09-27	43283P100010	垫片	SHIM	2	
F09-28	54006P540000	后轮中间隔套	REAR WHEEL MIDDLE SPACER SLEEVE	1	
F09-29	60200J000001	防尘圈组件	DUST RING ASSEMBLY	1	
F09-30	54100P54001Z	后轮圈组件	RIM AS-REAR WHEEL	1	

F10 车架总成 FRAME BODY ASSY.



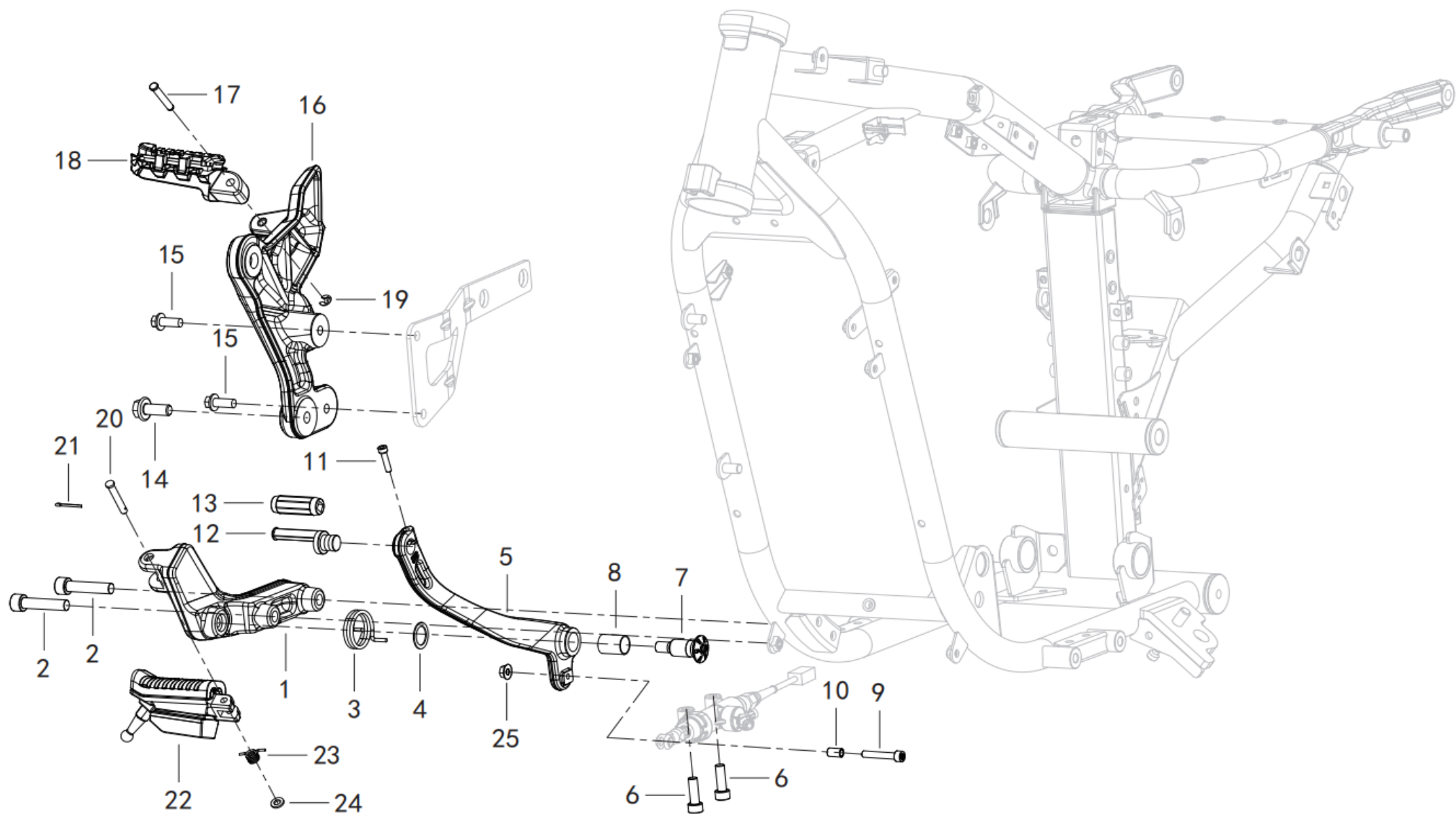
NO.	CODE	CN DESCRIPTION	EN DESCRIPTION	QTY	REMARKS
F10-01	57005P540000	单撑螺栓	SINGLE SUPPORT BOLT	1	
F10-02	57003J000070	单撑弹簧	SINGLE SPRING	1	
F10-03	58701P540000	单撑	SINGLE SUPPORT	1	
F10-04	B0403101251H	六角薄螺母M10×1.25	HEXAGON THIN NUT M10×1.25	1	
F10-05	91170V020000	单撑熄火开关	SINGLE SUPPORT FLAMEOUT SWITCH	1	
F10-06	08002P620002	内六角花形法兰面螺钉M6×14	HEXAGON SOCKET FLANGE SCREW M6×14	3	
F10-07	B0159101656H	六角法兰面螺栓M10×1.25×165	HEXAGON FLANGE BOLT M10×1.25×165	1	
F10-08	B0159101706H	螺栓M10×1.25×170	BOLT M10×1.25×170	1	
F10-09	57060P540000	发动机前缓冲衬套组件	FRONT CUSHION BUSH ASSY OF ENGINE	2	
F10-10	57100P54BH00	车架焊接组件/特黑(BH)	FRAME WELDING ASSY	1	
F10-11	57015P540000	车架堵头	FRAME PLUG	1	
F10-12	08005P620000	薄内六角花形法兰面螺钉M8×16	THIN HEXAGON FLANGE SCREW M8×16	2	
F10-13	57211P540000	发动机前右安装板	FRONT RIGHT ENGINE MOUNTING PLATE	1	
F10-14	B04821012552	自锁螺母M10×1.25	SELF LOCKING NUT M10×1.25	3	
F10-15	B02050813064	螺钉	SCREW M8×130	2	
F10-16	54018J04000A	垫片	SHIM	2	
F10-17	150093160000	后减震器固定衬套组件	REAR SHOCK ABSORBER FIXING BUSH ASSY	4	
F10-18	B0159101136H	六角法兰面螺栓M10×1.25×113	HEXAGON FLANGE BOLT M10×1.25×113	1	
F10-19	57220P540000	发动机后安装座	ENGINE REAR MOUNT	2	
F10-20	B0417080004H	自锁螺母M8	SELF LOCKING NUT M8	2	
F10-21	57054P540000	碳罐安装板	CARBON CANISTER MOUNTING PLATE	1	
F10-22	08002P620001	内六角花形法兰面螺钉M6×12	HEXAGON SOCKET FLANGE SCREW M6×12	2	
F10-23	B0417060004H	自锁螺母M6	SELF LOCKING NUT M6	1	
F10-24	59710P540000	油杯安装座	OIL CUP MOUNTING BASE	1	
F10-25	57013P540000	离合器线夹II	CLUTCH CLAMP II	1	
F10-26	B100432007P0	抽芯铆钉3.2×7	PULL MANDREL RIVETS 3.2×7	2	
F10-27	08010P060000	搭铁螺栓组件M6×16	GROUNDING BOLT ASSY M6×16	1	
F10-28	65618J000000	护板橡胶垫丙	RUBBER PAD OF GUARD PLATE	6	

F11 踏蹬总成 I PEDALING ASSY.



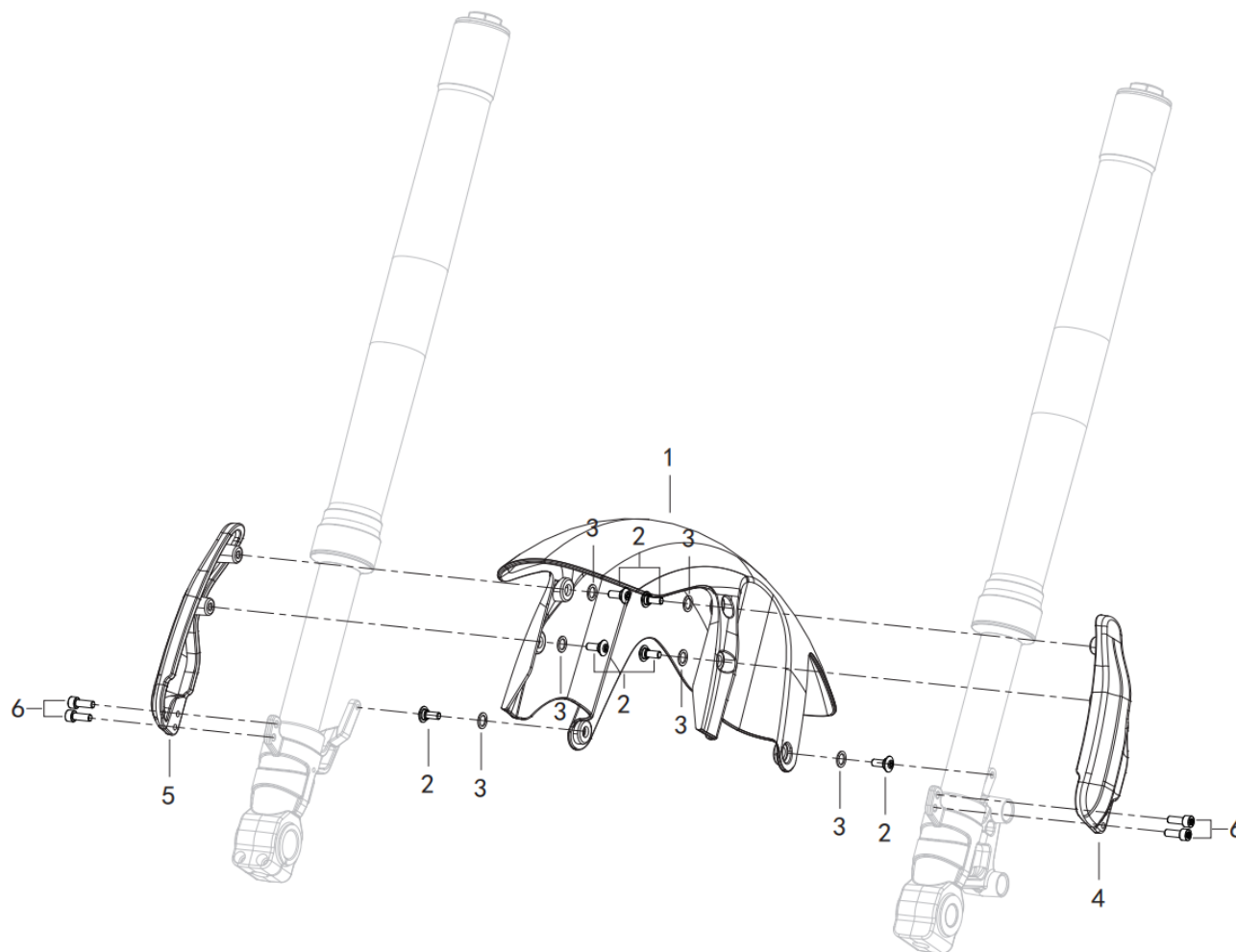
NO.	CODE	CN DESCRIPTION	EN DESCRIPTION	QTY	REMARKS
F11-01	58226P540001	左前脚踏支架	FRONT LEFT PEDAL BRACKET	1	
F11-02	B0276100456P	内六角花形圆柱头螺钉M10×1.25×45	HEXAGON SOCKET HEAD SCREW M10×1.25×45	2	
F11-03	58216S010000	垫片	SHIM	1	
F11-04	08383P540000	变档杆	SHIFT LEVER	1	
F11-05	08375S010000	节头	SECTION HEAD	1	
F11-06	08002P620003	内六角花形法兰面螺钉M6×20	HEXAGON SOCKET FLANGE SCREW M6×20	1	
F11-07	40706P250002	后刹车踏杆安装螺钉	REAR BRAKE PEDAL MOUNTING SCREW	1	
F11-08	58511S010001	自润滑衬套	SELF LUBRICATING BUSHING	1	
F11-09	B0205050226A	内六角螺钉M5×22	HEXAGON SOCKET HEAD SCREW M5×22	1	
F11-10	08384P540000	变档杆脚踏	SHIFT LEVER PEDAL	1	
F11-11	08372P540000	变档杆脚踏橡胶	RUBBER FOR SHIFT LEVER	1	
F11-12	B04800600052	螺母M6-8-ZG	NUT M6-8-ZG	1	
F11-13	08371P540000	变档杆连杆	SHIFT LEVER CONNECTING ROD	1	
F11-14	08051S040010	左螺母M6	LEFT NUT M6	1	
F11-15	40706S040000	M6左节头	M6 LEFT JOINT HEAD	1	
F11-16	08002P620004	内六角花形法兰面螺钉M6×25	HEXAGON SOCKET FLANGE SCREW M6×25	1	
F11-17	B0417060004H	自锁螺母M6	SELF LOCKING NUT M6	1	
F11-18	08381P910010	变档杆安装座	SHIFT LEVER MOUNTING	1	
F11-19	B0226060166S	内六角花形圆柱头螺钉M6×16	HEXAGON SOCKET HEAD SCREW M6×16	1	
F11-20	58266P540000	左后脚踏支架	LEFT REAR PEDAL BRACKET	1	
F11-21	08015P620002	内六角法兰面螺栓M10×1.25×25	HEXAGON FLANGE BOLT M10×1.25×25	1	
F11-22	58217P260000	脚踏安装销	PEDAL MOUNTING PIN	1	
F11-23	58260P26001Z	左后踏蹬组合	LEFT REAR PEDAL COMBINATION	1	
F11-24	B0882000050A	挡圈φ5	RETAINING RING Φ 5	1	
F11-25	58217P100000	脚踏安装销	PEDAL MOUNTING PIN	1	
F11-26	B090002018AH	开口销2×18	SPLIT PIN Φ 2×18	1	
F11-27	58220N490000	左前脚踏组件	FRONT LEFT PEDAL COMBINATION	1	
F11-28	58222S010100	脚踏蹬弹簧	STRAIGHT ARM TORSION SPRING	1	
F11-29	B0703000060H	垫圈Φ6	WASHER Φ 6	1	

F12 踏蹬总成II PEDALING ASSY.



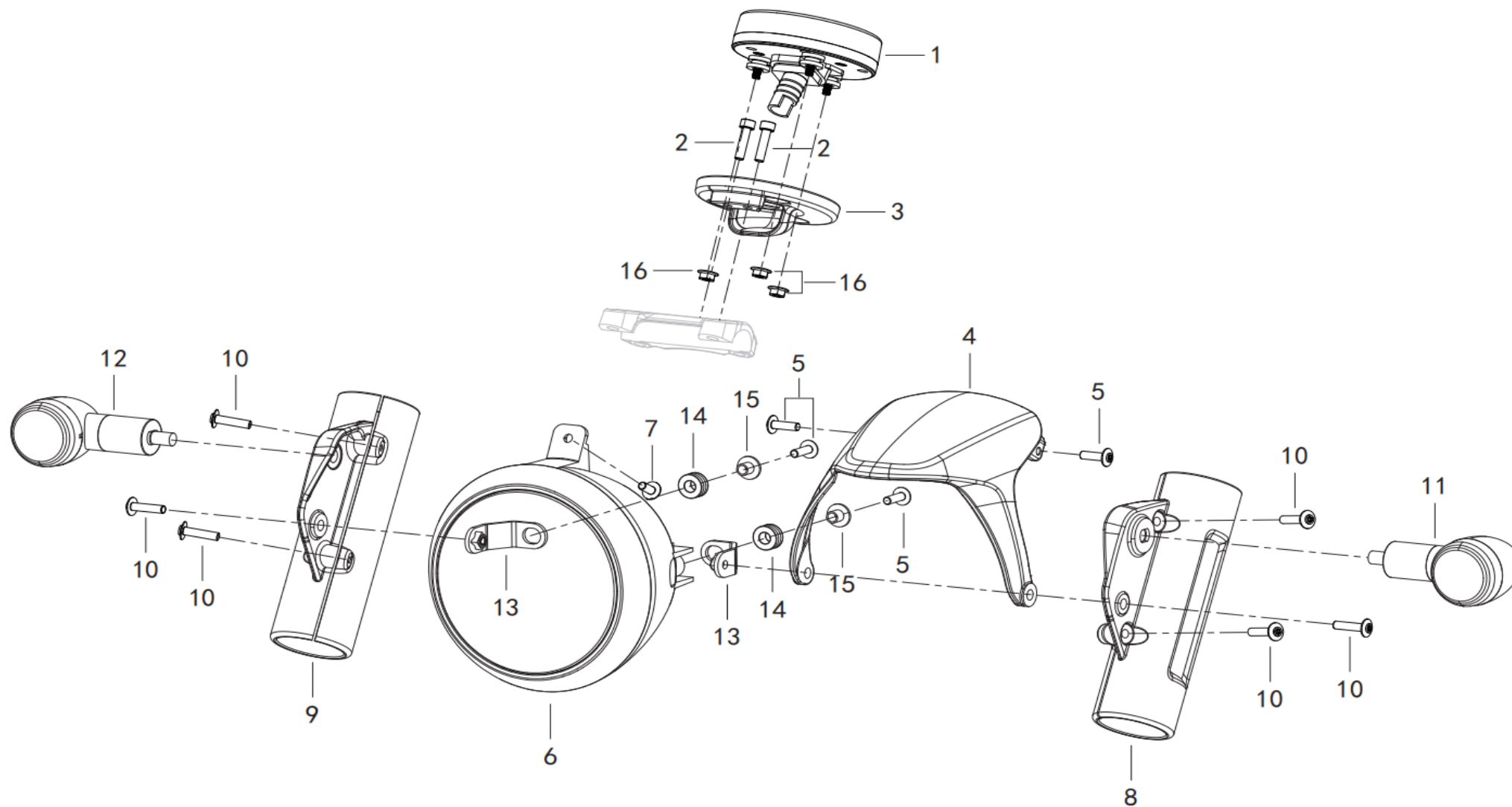
NO.	CODE	CN DESCRIPTION	EN DESCRIPTION	QTY	REMARKS
F12-01	58246P540001	右前脚蹬支架	RIGHT FRONT PEDAL BRACKET	1	
F12-02	B0276100456P	内六角圆柱头螺钉 M10×1.25×45	HEXAGON SOCKET HEAD SCREW M10×1.25×45	2	
F12-03	40702P370000	刹车扭簧	BRAKE TORSION SPRING	1	
F12-04	58216S010000	垫片	SHIM	1	
F12-05	40712P540000	刹车杆	BRAKE LEVER	1	
F12-06	08001P32000J	内六角花形圆柱头螺钉M8×25	HEXAGON SOCKET HEAD CAP SCREW M8×25	2	
F12-07	40706P250002	后刹车踏杆安装螺钉	REAR BRAKE PEDAL MOUNTING SCREW	1	
F12-08	58511S010001	自润滑衬套	SELF LUBRICATING BUSHING	1	
F12-09	B0226060356S	内六角花形圆柱头螺钉M6×35	HEXAGON SOCKET HEAD CAP SCREW M6×35	1	
F12-10	55049P540000	后油泵体安装衬套	REAR OIL PUMP BODY MOUNTING BUSH	1	
F12-11	B0205050226A	内六角螺钉M5×22	HEXAGON SOCKET HEAD CAP SCREW M5×22	1	
F12-12	08384P540000	变档杆脚踏	SHIFT LEVER PEDAL	1	
F12-13	08372P540000	变档杆脚踏橡胶	SHIFT PEDAL RUBBER	1	
F12-14	08015P620002	内六角法兰面螺栓 M10×1.25×25	HEXAGON FLANGE BOLT M10×1.25×25	1	
F12-15	08014P620003	内六角法兰面螺栓 M8×20	HEXAGON FLANGE BOLT M8×20	2	
F12-16	58286P540000	右后脚蹬支架	RIGHT REAR PEDAL BRACKET	1	
F12-17	58217P260000	脚蹬安装销	PEDAL MOUNTING PIN	1	
F12-18	58280P26001Z	右后踏蹬组合	RIGHT REAR PEDAL COMBINATION	1	
F12-19	B0882000050A	挡圈φ5	RETAINING RING Φ 5	1	
F12-20	58217P100000	脚蹬安装销	PEDAL MOUNTING PIN	1	
F12-21	B090002018AH	开口销2×18	SPLIT PIN Φ 2×18	1	
F12-22	58240N490000	右前脚蹬组件	RIGHT FRONT PEDAL COMBINATION	1	
F12-23	58222S010100	脚踏蹬弹簧	TORSION SPRING WITH STRAIGHT ARM	1	
F12-24	B0703000060H	垫圈Φ6	WASHER Φ 6	1	
F12-25	B0417060004H	自锁螺母M6	SELF LOCKING NUT M6	1	

F13 前泥板 FRONT FENDER ASSY.



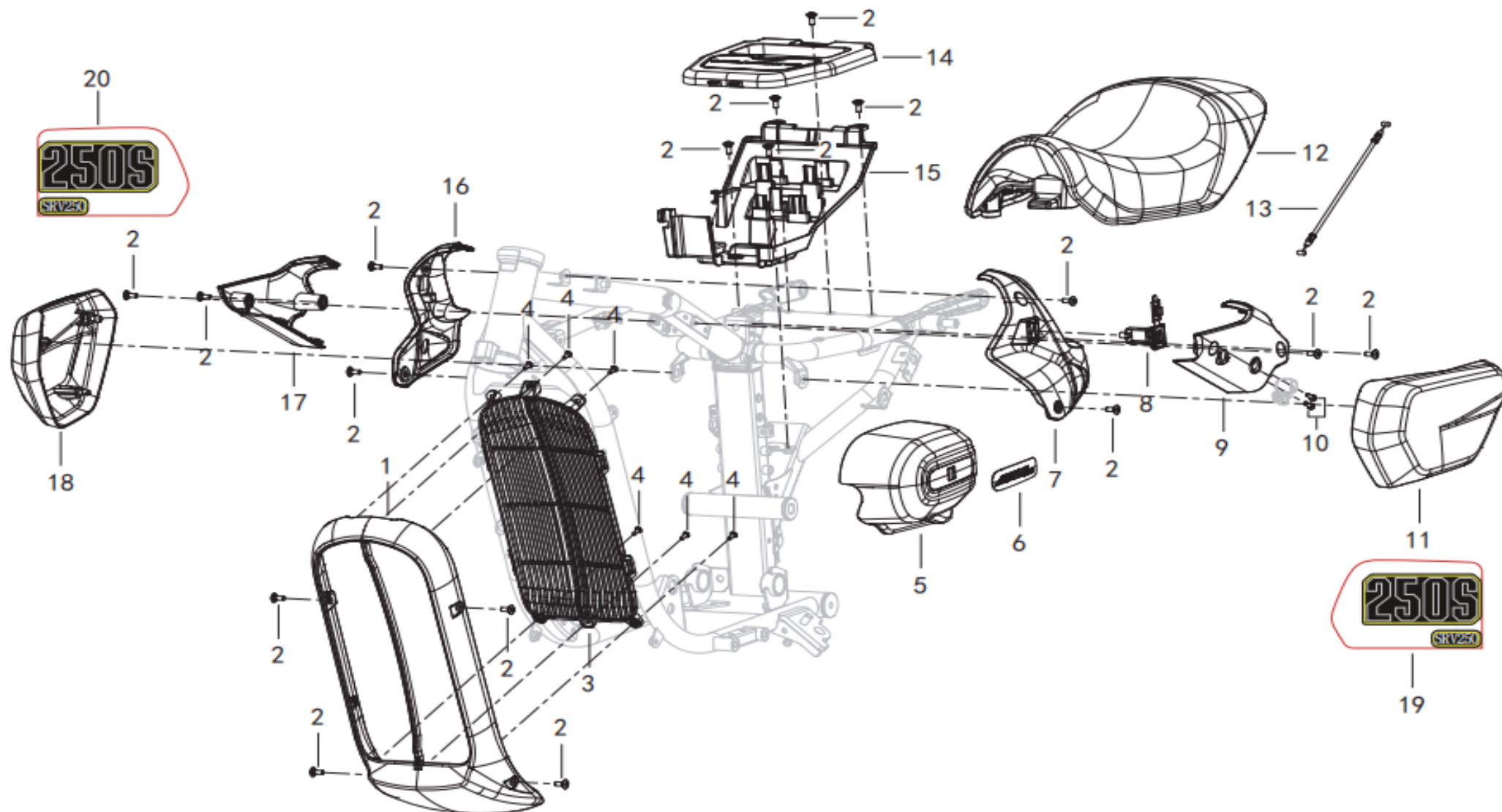
NO.	CODE	CN DESCRIPTION	EN DESCRIPTION	QTY	REMARKS
F13-01	65101P54BG00	前挡泥板/哑黑(BG)	FRONT FENDER, MATT BLACK BG	1	
F13-01	65101P54G900	前挡泥板/军绿(G9)	FRONT FENDER, MATT GREEN G9	1	
F13-01	65101P54MK00	前挡泥板/炫酷橙(MK)	FRONT FENDER, COOL ORANGE MK	1	
F13-02	08003P620000	内六角花形法兰面台阶螺钉M6×15	HEXAGON FLANGE STEP SCREW M6×15	6	
F13-03	47936S010000	灰色尼龙	GREY NYLON	6	
F13-04	65131P540000	前挡泥板左支架	FRONT FENDER LEFT BRACKET	1	
F13-05	65141P540000	前挡泥板右支架	FRONT FENDER RIGHT BRACKET	1	
F13-06	B0226060166S	内六角花形圆柱头螺钉M6×16	HEXAGON SOCKET HEAD CAP SCREW M6×16	4	

F14 灯具及仪表 LIGHT & SPEEDOMETER ASSY.



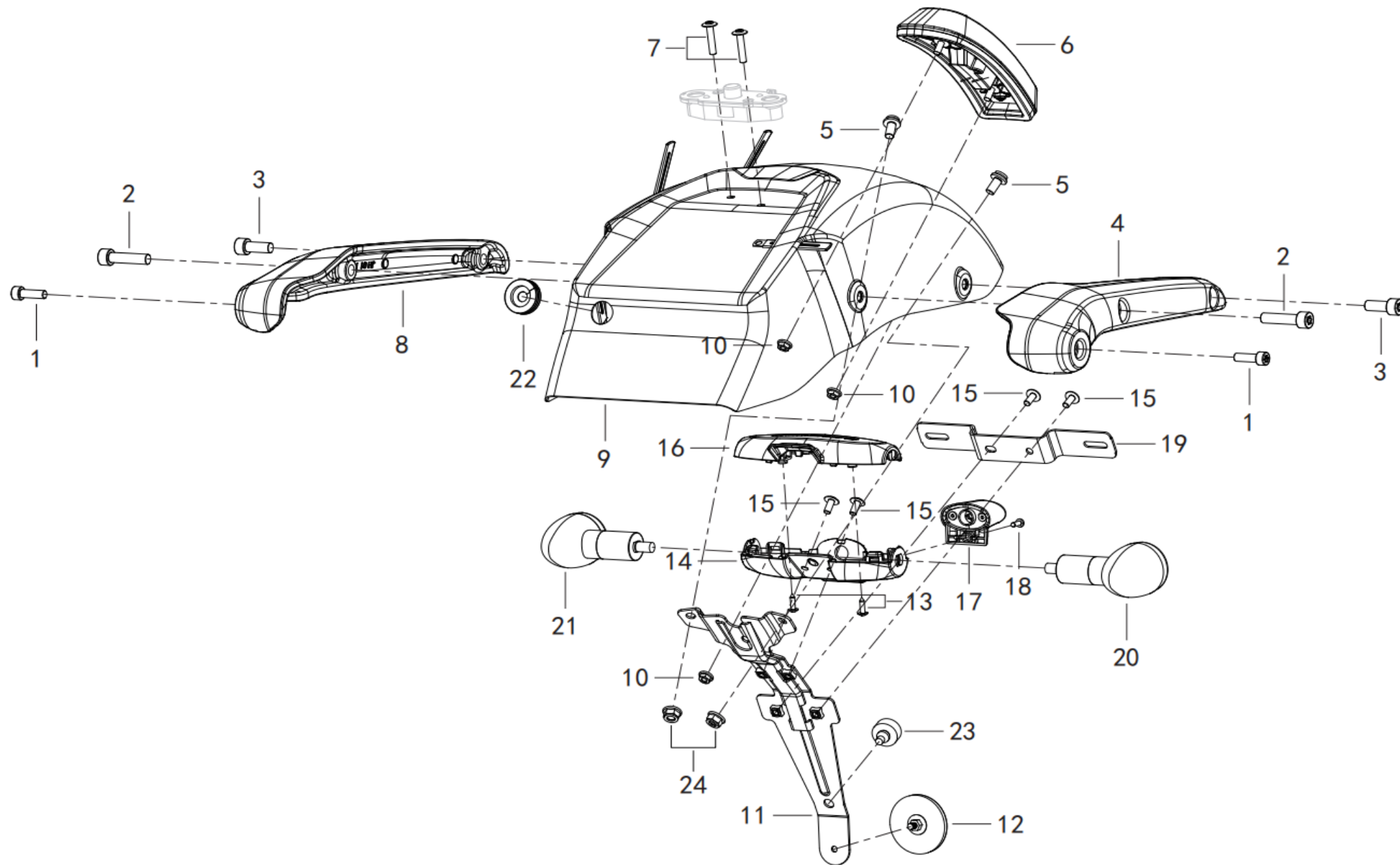
NO.	CODE	CN DESCRIPTION	EN DESCRIPTION	QTY	REMARKS
F14-01	70000P540000	仪表总成	INSTRUMENT ASSY	1	
F14-01	70000P540002	仪表总成	INSTRUMENT ASSY	1	START VIN PRSQ250VEPA063649
F14-02	B0226060256S	内六角花形圆柱头螺钉M6×25	HEXAGON SOCKET HEAD CAP SCREW M6×25	2	
F14-03	70078P540000	仪表支架	INSTRUMENT BRACKET	1	
F14-04	08331P540000	前大灯护罩	HEADLAMP SHIELD	1	
F14-05	08002P620003	内六角花形法兰面螺钉M6×20	HEXAGON SOCKET FLANGE SCREW M6×20	4	
F14-06	80000P540000	前照灯总成	HEADLAMP ASSY	1	
F14-07	08002P620002	内六角花形法兰面螺钉M6×14	HEXAGON SOCKET FLANGE SCREW M6×14	1	
F14-08	08515P540000	前大灯左支架	LEFT BRACKET OF HEADLAMP	1	
F14-09	08525P540000	前大灯右支架	RIGHT HEADLAMP BRACKET	1	
F14-10	08002P620004	内六角花形法兰面螺钉M6×25	HEXAGON SOCKET FLANGE SCREW M6×25	6	
F14-11	81100P540000	前左转向灯	FRONT LEFT TURN SIGNAL	1	
F14-12	81300P540000	前右转向灯	FRONT RIGHT TURN SIGNAL	1	
F14-13	08510P540000	大灯安装座	HEADLAMP MOUNTING BASE	2	
F14-14	65616L430000	护板橡胶垫	GUARD RUBBER PAD	2	
F14-15	27097505001X	衬套	BUSHING	2	
F14-16	B0417050004H	全金属六角法兰面锁紧螺母M5	ALL METAL HEXAGON FLANGE LOCK NUT M5	3	

F15 护板 SIDE COVER ASSY.



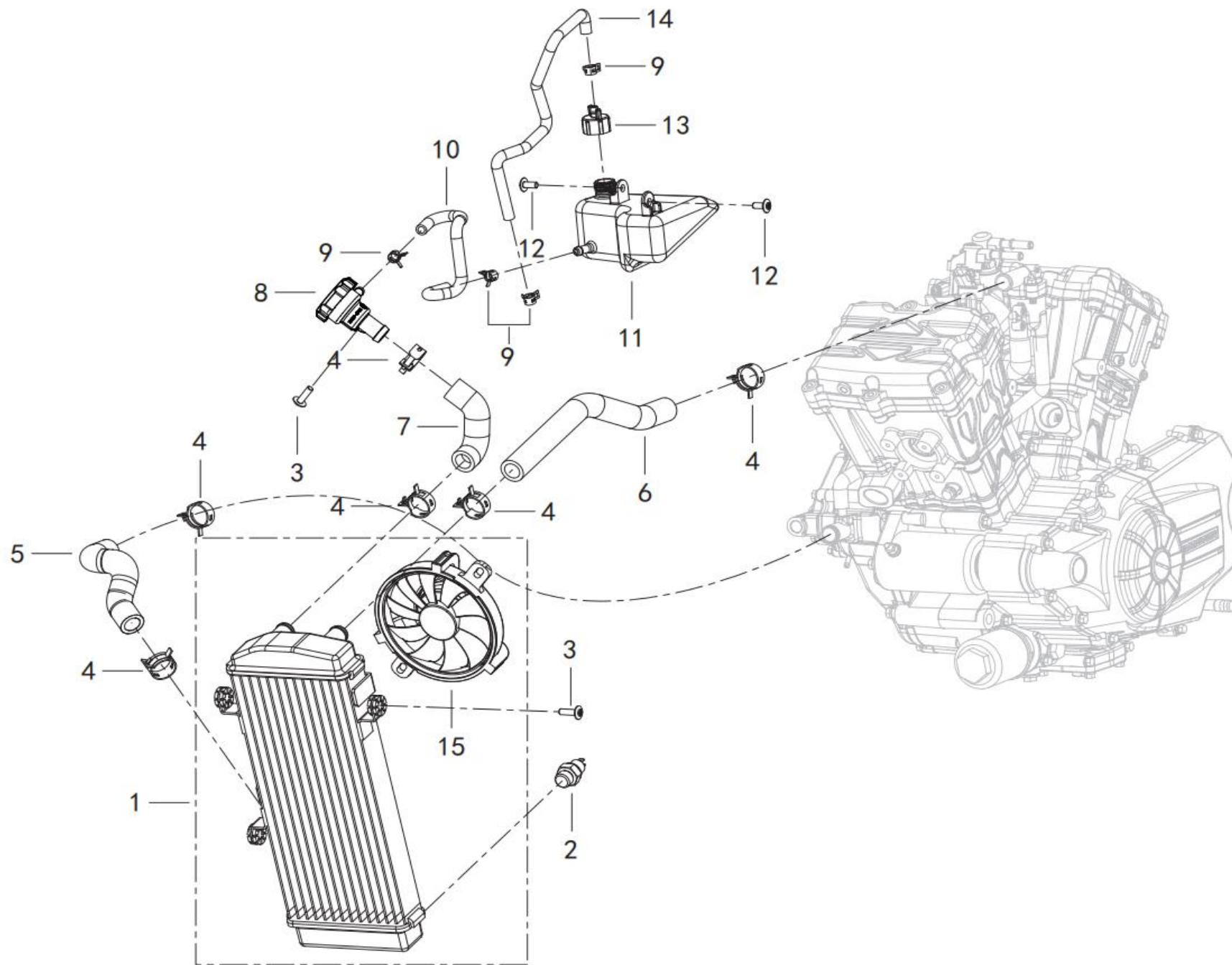
NO.	CODE	CN DESCRIPTION	EN DESCRIPTION	QTY	REMARKS
F15-01	65685P540000	水箱装饰罩I	TANK DECORATION COVER I	1	
F15-02	08003P620000	内六角花形法兰面台阶螺钉M6×15	HEXAGON FANCY FLANGE STEP SCREWS M6x15	17	
F15-03	65686P540000	水箱装饰罩II	TANK TRIM COVER II	1	
F15-04	B0507420160H	自攻螺钉ST4.2×16	TAPPING SCREW ST4.2 X 16	6	
F15-05	65436P54BG00	发动机左装饰罩/哑黑(BG)	ENGINE LEFT TRIM COVER,BLACK BG	1	
F15-06	05562N470000	发动机左装饰板镍装饰板	ENGINE LEFT TRIM PLATE NICKEL TRIM PLATE	1	
F15-07	65681P54BG01	油箱前左装饰板/哑黑(BG)	TANK FRONT LEFT TRIM PANEL,BLACK BG	1	
F15-08	99700S070004	车载USB充电器	CAR USB CHARGER	1	
F15-09	65603P54BG00	左前护板/哑黑(BG)	LEFT FRONT GUARD,BLACK BG	1	
F15-10	B0226050146S	内六角花形圆柱头螺钉M5×14	HEX. FANCY CYLINDRICAL HEAD SCREW M5x14	2	
F15-11	65601P54013Z	左护板/哑黑(BG)+1张贴花	LEFT GUARD PLATE,BLACK BG,WITH STICKER	1	
F15-12	51100P540002	座垫组件	SEAT CUSHION COMPONENTS	1	
F15-13	58900P540000	座垫钢索组件	SEAT CUSHION CABLE ASSY	1	
F15-14	51022P540000	座垫下装饰盖	DECORATIVE COVER UNDER SEAT CUSHION	1	
F15-15	65761P540000	后下挡泥板	REAR AND LOWER FENDER	1	
F15-16	65682P54BG01	油箱前右装饰板/哑黑(BG)	TANK FRONT RIGHT TRIM PANEL,BLACK BG	1	
F15-17	65604P54BG00	右前护板/哑黑(BG)	RIGHT FRONT GUARD,BLACK BG	1	
F15-18	65602P54013Z	右护板/哑黑(BG)+1张贴花	RIGHT GUARD,BLACK BG,WITH STICKER	1	
F15-19	05511N61MK00	左护板贴花	STICKER,LEFT GUARD PLATE	1	
F15-20	05512N61MK00	右护板贴花	STICKER,RIGHT GUARD PLATE	1	

F16 后挡泥板 REAR FENDER ASSY.



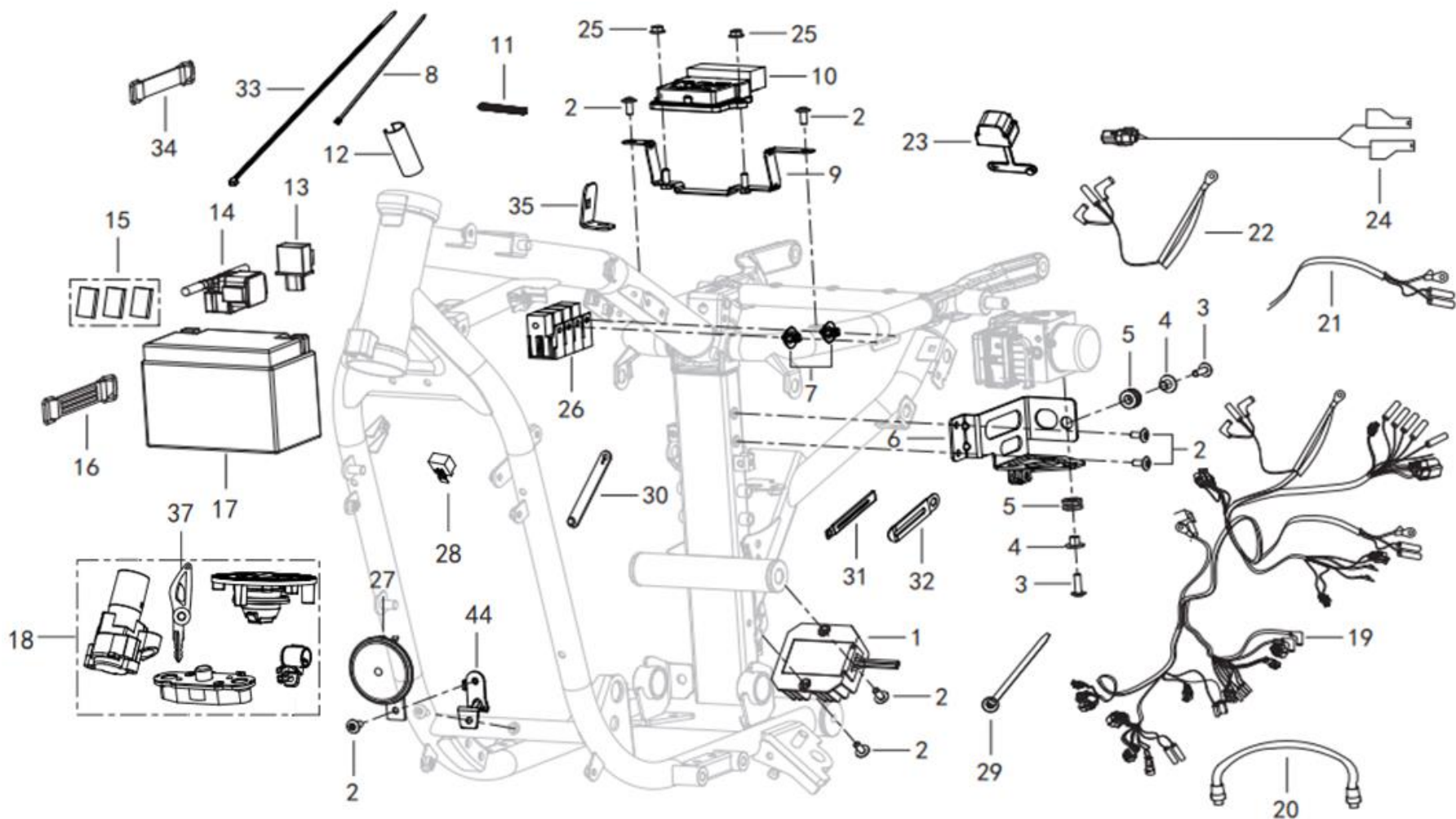
NO.	CODE	CN DESCRIPTION	EN DESCRIPTION	QTY	REMARKS
F16-01	08001P32000J	内花型螺钉M8×25	INTERNAL SCREW M8×25	2	
F16-02	B0226100356S	内六角花形圆柱头螺钉M10×35	HEXAGON SOCKET HEAD CAP SCREW M10×35	2	
F16-03	B0226100226S	内六角花形圆柱头螺钉M10×22	HEXAGON SOCKET HEAD CAP SCREW M10×22	2	
F16-04	65711P540000	后挡泥板左装饰板	REAR FENDER LEFT TRIM PANEL	1	
F16-05	08005P620000	薄内六角花形法兰面螺钉M8×16	THIN HEXAGON FLANGE SCREW M8×16	2	
F16-06	82000P540000	尾灯	TAILLIGHT	1	
F16-07	08002P620005	内六角花形法兰面螺钉M6×30	HEXAGON SOCKET FLANGE SCREW M6×30	2	
F16-08	65712P540000	后挡泥板右装饰板	REAR FENDER RIGHT TRIM PANEL	1	
F16-09	65750P54BG00	后挡泥板焊接组件/哑黑(BG)	REAR FENDER WELDING ASSY, MATT BLACK BG	1	
F16-09	65750P54G900	后挡泥板焊接组件/军绿(G9)	REAR FENDER WELDING ASSY, MATT GREEN G9	1	
F16-09	65750P54MK00	后挡泥板焊接组件/炫酷橙(MK)	REAR FENDER WELDING ASSY, COOL ORANGE MK	1	
F16-10	B0417060004H	自锁螺母M6	SELF LOCKING NUT M6	3	
F16-11	08260P540000	后牌照支架安装座	MOUNTING SEAT OF REAR LICENSE PLATE BRACKET	1	
F16-12	86500V020000	后反射体	RETROREFLECTOR	1	
F16-13	B0507420160H	自攻螺钉ST4.2×16	TAPPING SCREW ST4.2×16	2	
F16-14	65707P540000	后转向灯下安装座	LOWER MOUNTING SEAT OF REAR SIGNAL LAMP	1	
F16-15	08002P620002	内六角花形法兰面螺钉M6×14	HEXAGON SOCKET FLANGE SCREW M6×14	4	
F16-16	65706P540000	后转向灯上安装座	REAR TURN SIGNAL UPPER MOUNTING	1	
F16-17	82900P540000	后牌照灯	REAR LICENSE PLATE LAMP	1	
F16-18	B0500420160H	十字槽盘头自攻螺钉ST4.2×16	CROSS PAN HEAD TAPPING SCREW ST4.2×16	1	
F16-19	08252U430000	后牌照支架	REAR LICENSE PLATE BRACKET	1	
F16-20	81500P540000	后左转向灯	REAR LEFT TURN SIGNAL	1	
F16-21	81700P540000	后右转向灯	REAR RIGHT TURN SIGNAL	1	
F16-22	65704P540000	后挡泥板过线橡胶	REAR FENDER THREAD RUBBER	1	
F16-23	54035T020000	限位块	STOP BLOCK	1	
F16-24	B0417080004H	自锁螺母M8	SELF LOCKING NUT M8	2	

F17 冷却系统 COOLING SYSTEM ASSY.



NO.	CODE	CN DESCRIPTION	EN DESCRIPTION	QTY	REMARKS
F17-01	279126590000	水箱组件	WATER TANK ASSY	1	
F17-02	279115050000	出水温开关组件	WATER OUTLET TEMPERATURE SWITCH ASSY	1	
F17-02	279115050003	出水温开关组件	OUTLET COOLANT TEMPERATURE SWITCH 98'C, WITH WATERPROOF SOCKET	1	START VIN PRSQ250VEPAO58379
F17-03	08002P620003	内六角花形法兰面螺钉M6×20	HEXAGON SOCKET FLANGE SCREW M6×20	2	
F17-04	06103N120100	水管板式卡箍φ25	WATER PIPE PLATE CLAMP Φ 25	6	
F17-05	06251P540000	发动机出水管	ENGINE WATER OUTLET PIPE	1	
F17-06	06211P540000	发动机进水管	ENGINE WATER INLET PIPE	1	
F17-07	06107P540000	水箱加水口与水箱连接管	WATER INLET OF WATER TANK AND CONNECTING PIPE OF WATER TANK	1	
F17-08	279186590000	加水口组件	WATER INLET ASSY	1	
F17-09	49908J860000	板式卡箍 φ9.5×8×0.6	PLATE TYPE CLAMP WITH DIAMETER OF 9.5×8×0.6	4	
F17-10	06106P540000	膨胀水壶与水箱加水口连接管	CONNECTING PIPE BETWEEN EXPANSION KETTLE AND WATER INLET OF WATER TANK	1	
F17-11	06111P540000	膨胀水壶	EXPANSION KETTLE	1	
F17-12	08002P620002	内六角花形法兰面螺钉M6×14	HEXAGON SOCKET FLANGE SCREW M6×14	2	
F17-13	06130P540000	膨胀水壶盖组件	COVER AS-EXPANSION KETTLE	1	
F17-14	06101P540000	膨胀水壶出水管	OUTLET PIPE OF EXPANSION KETTLE	1	
F17-15	270144410000	风扇	FAN	1	

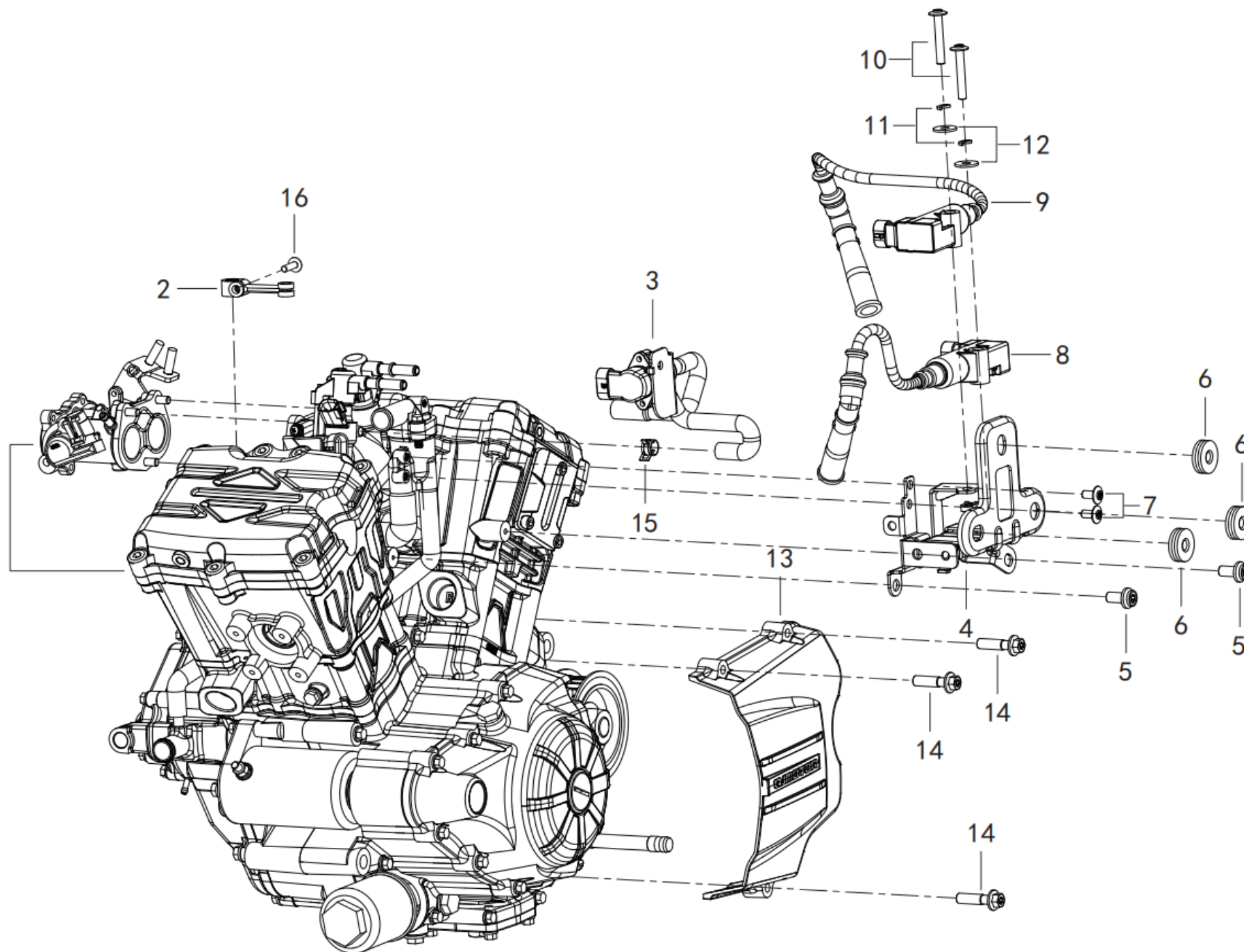
F18 电器 ELECTRICAL EQUIPMENT ASSY.



NO.	CODE	CN DESCRIPTION	EN DESCRIPTION	QTY	REMARKS
F18-01	29906N490000	整流器	RECTIFIER	1	
F18-02	08002P620002	内六角花形法兰面螺钉M6×14	HEXAGON SOCKET FLANGE SCREW M6×14	7	
F18-03	08002P620003	内六角花形法兰面螺钉M6×20	HEXAGON SOCKET FLANGE SCREW M6×20	2	
F18-04	27097505001X	衬套	BUSHING	2	
F18-05	65616L430000	护板橡胶垫	GUARD RUBBER PAD	2	
F18-06	58660P540000	ABS安装座	ABS MOUNTING BASE	1	
F18-07	96030N420000	双头卡扣	DOUBLE HEAD BUCKLE	2	
F18-08	40098B450000	绑扎带	BINDING TAPE	3	

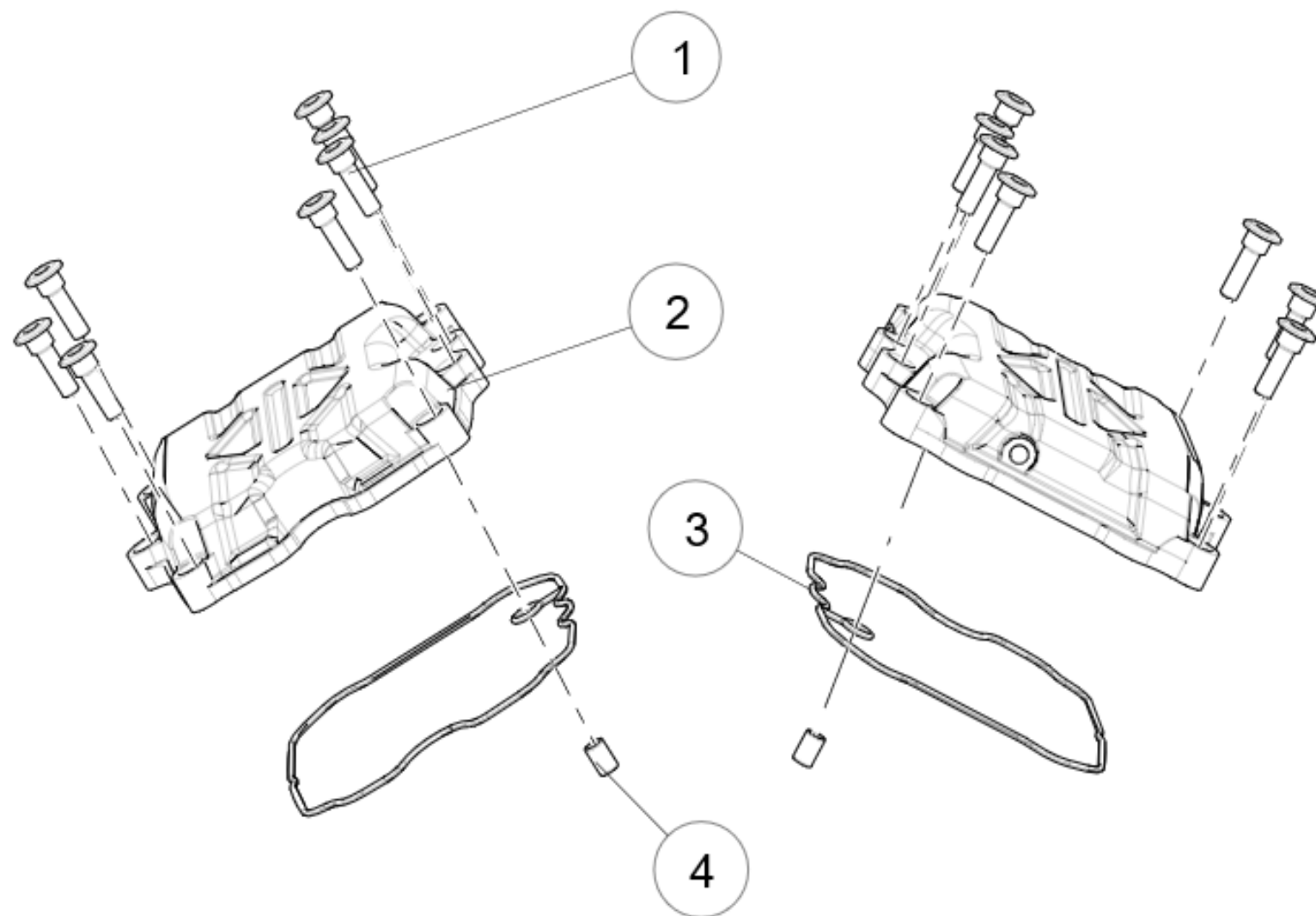
NO.	CODE	CN DESCRIPTION	EN DESCRIPTION	QTY	REMARKS
F18-09	57460P540001	ECU安装座	ECU MOUNTING BASE	1	
F18-10	96C00N610000	ECU	ECU	1	
F18-11	65508P290000	包边条	EDGING STRIP	1	
F18-12	92056U430000	正极线防护套	PROTECTIVE SLEEVE FOR POSITIVE WIRE	1	
F18-13	96400TA70100	闪光器	FLASHER	1	
F18-14	94000S010000	启动继电器	START RELAY	1	
F18-15	58752J00000A	蓄电池海绵垫	BATTERY SPONGE PAD	10	
F18-16	96020T750000	电瓶绑带	BATTERY STRAP	1	
F18-17	AC-YT12A-BS (HW)	蓄电池	BATTERY 12V10AH	1	
F18-18	88000P540000	套锁	SLEEVE LOCK	1	
F18-19	92000P540002	电缆总成	CABLE ASSY	1	
F18-19	92000P540008	电缆总成	CABLE ASSY	1	START VIN PRSQ250VEPAO58379
F18-20	92200P540000	电源线	POWER CORD	1	
F18-21	92300P540000	马达线	MOTOR LINE	1	
F18-22	92500P540000	搭铁线	GROUND WIRE	1	
F18-23	57042P410000	ABS检查插口安装橡胶	ABS INSPECTION SOCKET INSTALLATION RUBBER	1	
F18-24	92360P320005	刹车开关线	BRAKE SWITCH WIRE	1	
F18-25	B0417060004H	自锁螺母M6	SELF LOCKING NUT M6	2	
F18-26	92039S010000	继电器	RELAY	4	
F18-27	95100S010002	喇叭	HORN	1	
F18-28	96700K060000	启动二极管	START DIODE	1	
F18-29	96001P360000	螺纹绑带	THREAD TIE	10	
F18-30	49371T620001	截止阀软线夹	STOP VALVE CORD CLAMP	2	
F18-31	58430J000000	线夹组件	CLAMP ASSY	3	
F18-32	58430J670000	线夹组件II	CLAMP ASSY II	1	
F18-33	96003P360000	尼龙扎线带	NYLON CABLE TIES	10	
F18-34	02120J690000	随车工具绑带	ON BOARD TOOL STRAP	1	
F18-35	57401P540000	继电器安装板	RELAY MOUNTING PLATE	1	
F18-37	88900P160000	钥匙毛胚	KEY HAIR EMBRYO	1	
F18-44	59440P540000	喇叭安装座	HORN MOUNTING BASE	1	

F19 发动机附件 ENGINE ATTACHMENT ASSY.



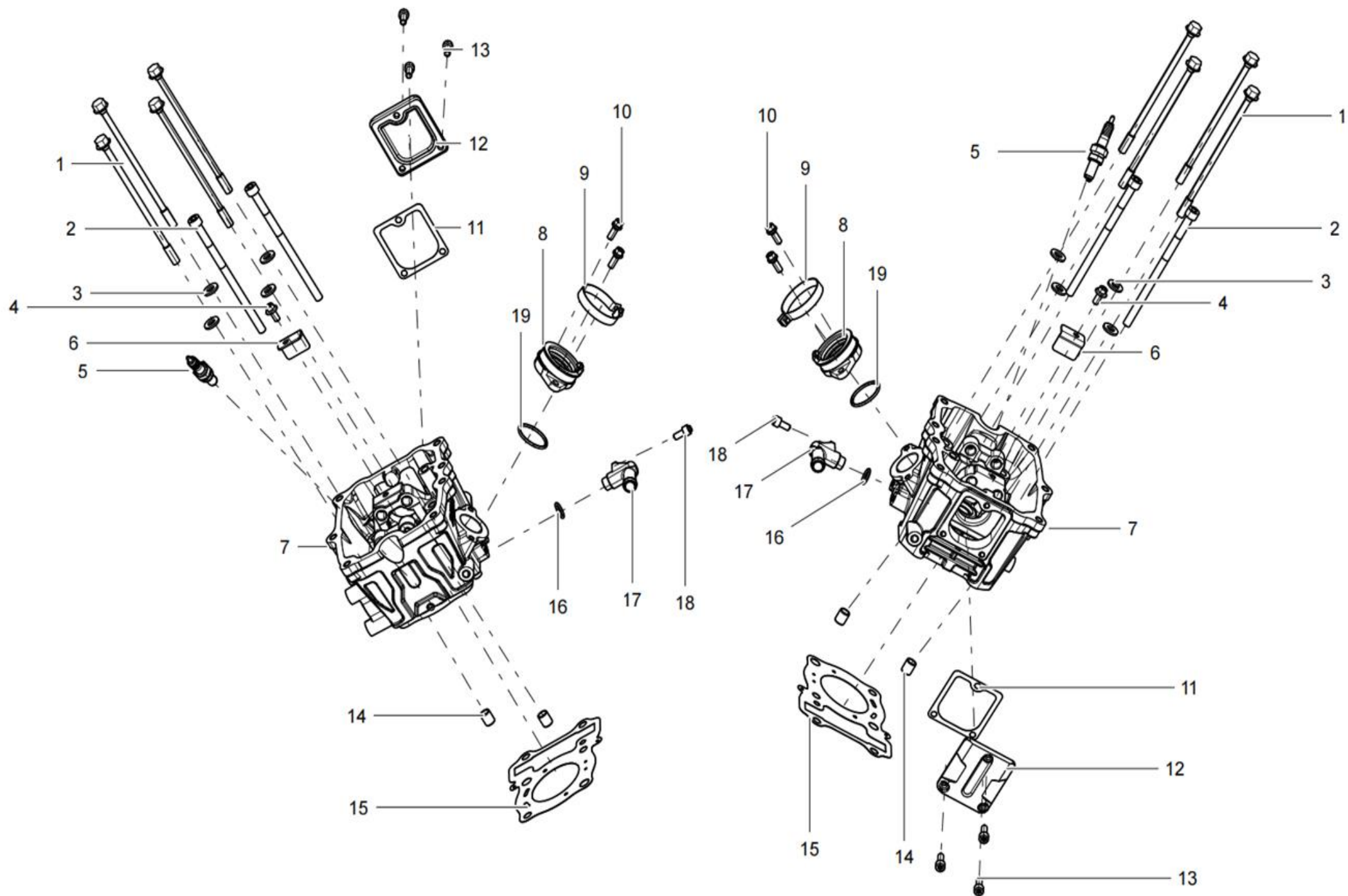
NO.	CODE	CN DESCRIPTION	EN DESCRIPTION	QTY	REMARKS
F19-02	209073090030	分离杠杆	RELEASE LEVER	1	
F19-03	289026590000	步进电机	STEPPER MOTOR	1	
F19-04	57550P540001	高压包安装座	HIGH PRESSURE PACKAGE MOUNTING BASE	1	
F19-05	08005P620000	薄内六角花形法兰面螺钉M8×16	THIN HEXAGON FLANGE SCREW M8×16	2	
F19-06	65618J000000	护板橡胶垫丙	RUBBER PAD OF GUARD PLATE	3	
F19-07	08002P620001	内六角花形法兰面螺钉M6×12	HEXAGON SOCKET FLANGE SCREW M6×12	2	
F19-08	96200P540001	左高压包	LEFT HIGH VOLTAGE PACKAGE	1	
F19-09	96200P540000	高压包	HIGH PRESSURE BAG	1	
F19-10	08002P620006	内六角花形法兰面螺钉M6×40	HEXAGON SOCKET FLANGE SCREW M6×40	2	
F19-11	B0700000060H	弹簧垫圈6	SPRING WASHER 6	2	
F19-12	B0702000060H	垫圈Φ6	WASHER Φ 6	2	
F19-13	169276590000	链轮外罩	SPROCKET HOUSING	1	
F19-14	160306030070	六角内梅花螺栓M6×30	HEXAGON TORX BOLT M6×30	3	
F19-15	49016L800000	板式卡箍φ11	PLATE CLAMP Φ 11	1	
F19-16	160306030020	六角内梅花螺栓M6×16	HEXAGON SOCKET FLANGE SCREW M6×40	1	

E01 气缸盖罩分总成 CYLINDER COVER ASSEMBLY



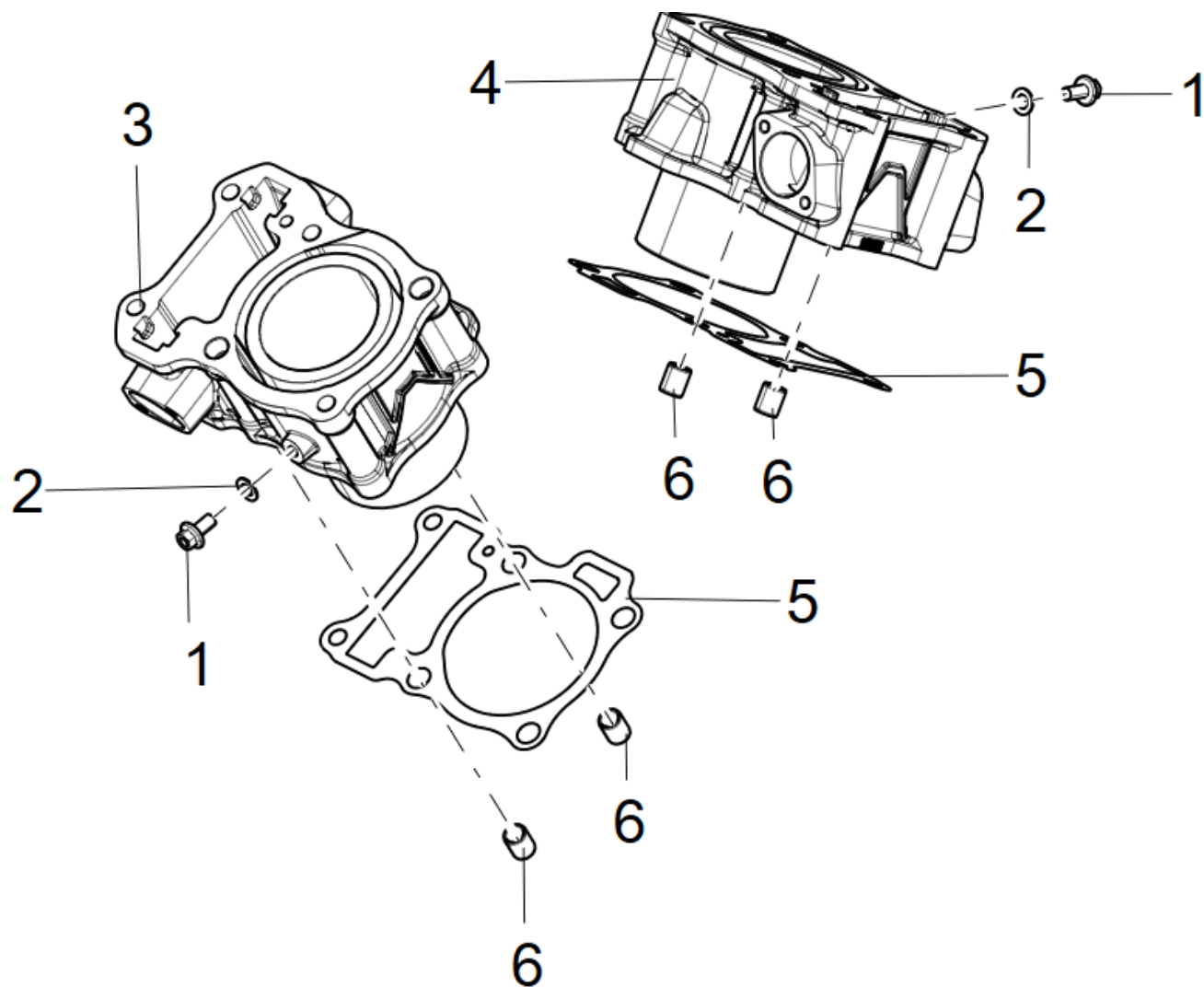
NO.	CODE	CN DESCRIPTION	EN DESCRIPTION	QTY	REMARKS
E01-01	109516590000	缸头盖螺栓	CYLINDER HEAD COVER BOLT	14	
E01-02	10931659MM01	缸盖罩组件	COVER AS-CYLINDER HEAD	2	
E01-03	109026590000	缸头盖O型圈	CYLINDER HEAD COVER O-RING	2	
E01-04	160056030000	定位销	LOCATING PIN	2	

E02 气缸盖分总成 CYLINDER HEAD



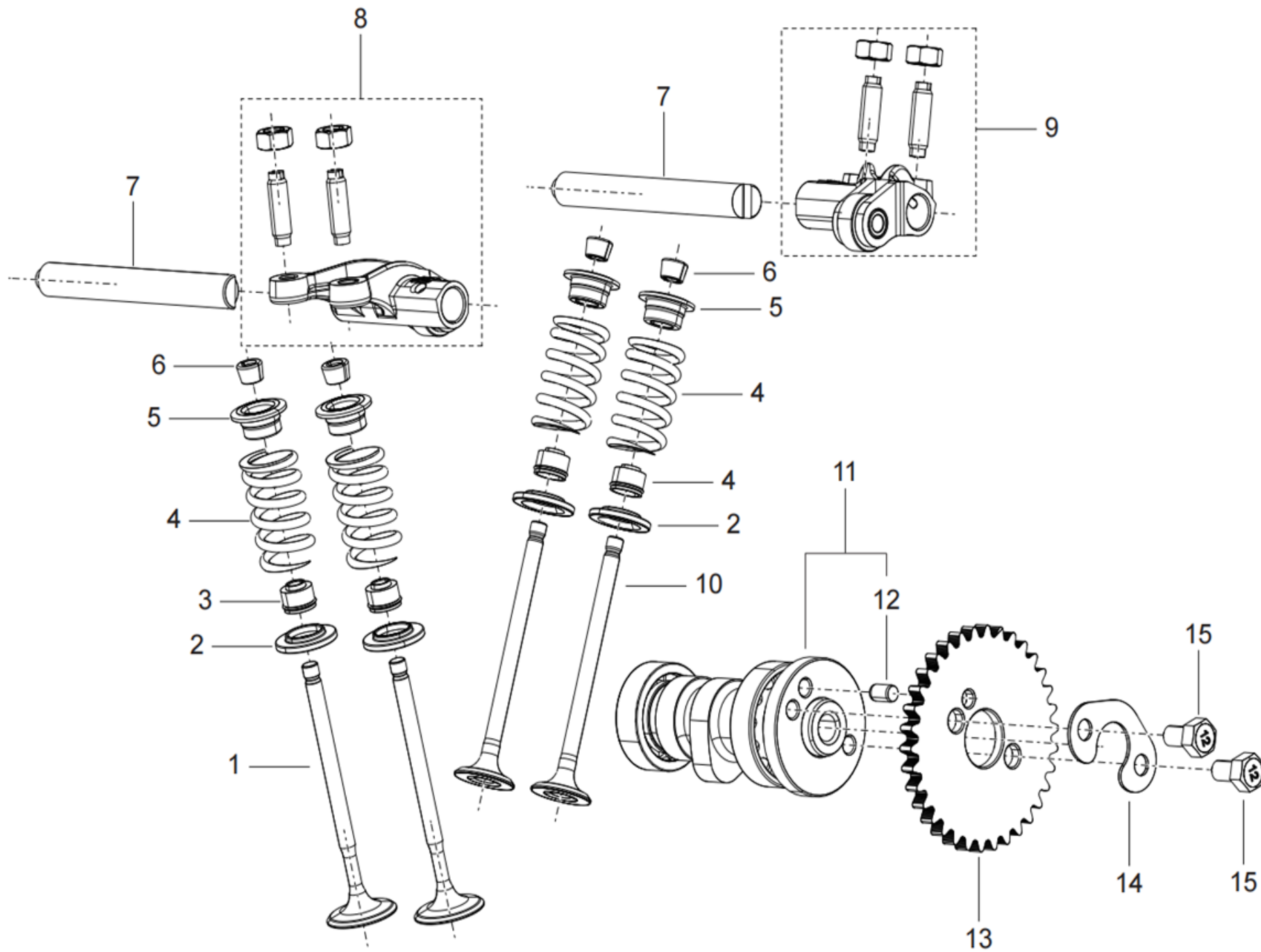
NO.	CODE	CN DESCRIPTION	EN DESCRIPTION	QTY	REMARKS
E02-01	109126590000	缸头螺栓	CYLINDER HEAD BOLT	8	
E02-02	B0205081406H	螺钉M6×140	SCREW M6×140	4	
E02-03	120093090000	缸头螺栓密封垫	CYLINDER HEAD BOLT GASKET	8	
E02-04	B0107060126H	六角法兰螺栓M6×12	HEXAGON FLANGE BOLT M6×12	2	
E02-05	AC-005-1201-0009	火花塞	SPARK PLUG	2	
E02-06	109236590000	摇臂轴挡板	ROCKER SHAFT BAFFLE	2	
E02-07	109066590000	气缸盖	THE CYLINDER COVER	2	
E02-08	119016590000	进气管组合	INTAKE MANIFOLD ASSEMBLY	2	
E02-09	109116590000	进气管弯卡箍	INTAKE ELBOW CLAMP	2	
E02-10	B0107060156H	螺栓M6×15	BOLT M6×15	4	
E02-11	109196590000	缸头侧盖密封垫	CYLINDER HEAD SIDE COVER GASKET	2	
E02-12	10910659N901	缸头侧盖	CYLINDER HEAD SIDE COVER	2	
E02-13	B0226060166P	内六角花形圆柱头螺钉M6×16	HEXAGON SOCKET TORX CHEESE HEAD SCREW M6×16	6	
E02-14	130023090000	气缸体定位销	CYLINDER BLOCK LOCATING PIN	4	
E02-15	109076590000	气缸盖垫片	CYLINDER HEAD GASKET	2	
E02-16	109226590000	缸头出水管O型圈	O-RING OF CYLINDER HEAD OUTLET PIPE	2	
E02-17	109216590020	缸头出水管	CYLINDER HEAD OUTLET PIPE	2	
E02-18	160306030010	六角内梅花螺栓M6×12	HEXAGON TORX BOLT M6×12	2	
E02-19	109166590000	进气管O型圈	INTAKE PIPE O-RING	2	

E03 气缸体分总成 CYLINDER ASSY



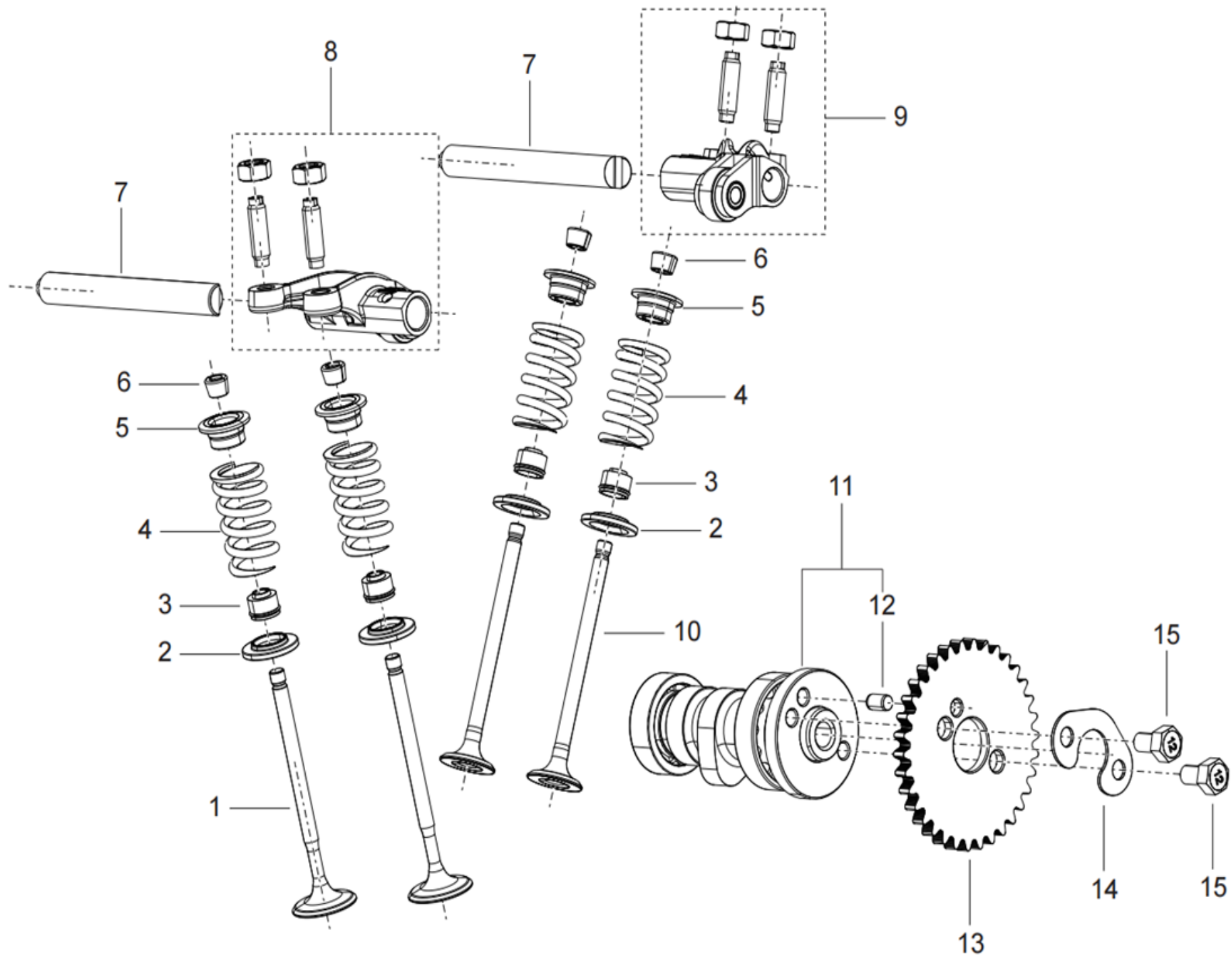
NO.	CODE	CN DESCRIPTION	EN DESCRIPTION	QTY	REMARKS
E03-01	B0107060126H	六角法兰面螺栓M6×12	HEXAGON FLANGE BOLT M6×12	2	
E03-02	150013070000	垫片6.5×12×1	GASKET 6.5×12×1	2	
E03-03	13901659N902	前气缸体组件	CYLINDER BLOCK AS-FRONT	1	
E03-04	13901659N901	后气缸体组件	CYLINDER BLOCK AS-REAR	1	
E03-05	139026590000	气缸密封垫	CYLINDER GASKET	2	
E03-06	130023090000	定位销	LOCATING PIN	4	

E04 前配气机构分总成 FRONT VALVE MECHANISM SUB-ASSEMBLY



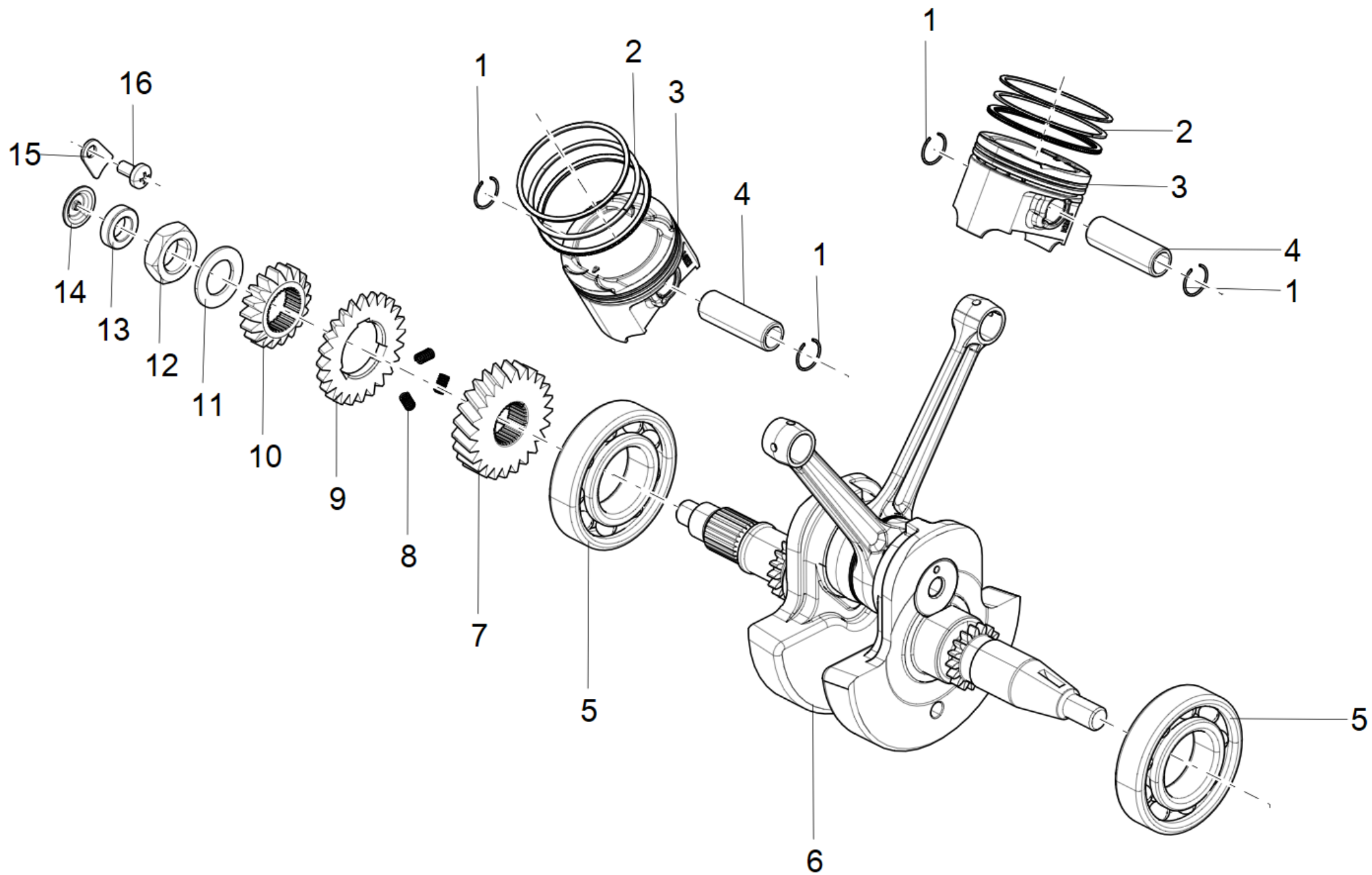
NO.	CODE	CN DESCRIPTION	EN DESCRIPTION	QTY	REMARKS
E04-01	129186590000	进气门	INLET VALVE	2	
E04-02	129216590000	气门弹簧下座	VALVE SPRING LOWER SEAT	4	
E04-03	120013050000	气门油封	VALVE SEAL	4	
E04-04	129256590000	气门弹簧	VALVE SPRINGS	4	
E04-05	129206590000	气门弹簧上座	VALVE SPRING SEAT	4	
E04-06	129226590000	气门锁夹	VALVE LOCK CLAMP	8	
E04-07	129166590000	摇臂轴	ROCKER ARM SHAFT	2	
E04-08	129146590000	进气摇臂组合	INTAKE ROCKER ARM ASSEMBLY	1	
E04-09	129156590000	排气摇臂组合	EXHAUST ROCKER ARM ASSEMBLY	1	
E04-10	129196590000	排气门	THE EXHAUST VALVE	2	
E04-11	129096590000	前凸轮轴组合	FRONT CAMSHAFT ASSEMBLY	1	
E04-12	B090105008AA	定位销5×8	LOCATING PIN 5×8	1	
E04-13	129036590000	凸轮轴链轮	CAMSHAFT SPROCKET	1	
E04-14	129046590000	凸轮轴链轮压板	CAMSHAFT SPROCKET PRESS PLATE	1	
E04-15	129016600000	螺栓M6×11	BOLT M6×11	2	

E05 后配气机构分总成 BACK VALVE MECHANISM SUB-ASSEMBLY



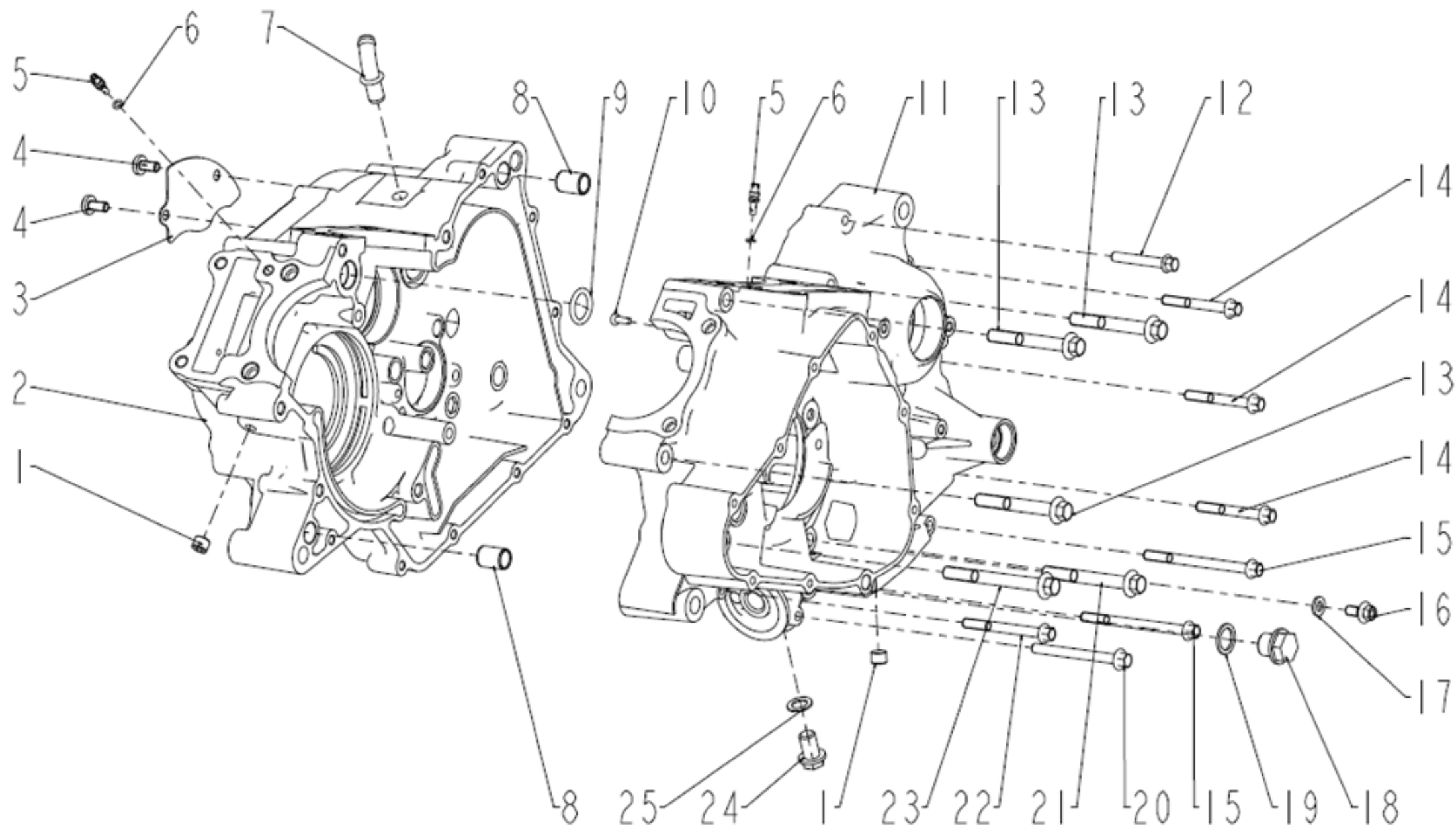
NO.	CODE	CN DESCRIPTION	EN DESCRIPTION	QTY	REMARKS
E05-01	129186590000	进气门	INLET VALVE	2	
E05-02	129216590000	气门弹簧下座	VALVE SPRING LOWER SEAT	4	
E05-03	120013050000	气门油封	VALVE SEAL	4	
E05-04	129256590000	气门弹簧	VALVE SPRINGS	4	
E05-05	129206590000	气门弹簧上座	VALVE SPRING SEAT	4	
E05-06	129226590000	气门锁夹	VALVE LOCK CLAMP	8	
E05-07	129166590000	摇臂轴	ROCKER ARM SHAFT	2	
E05-08	129146590000	进气摇臂组合	INTAKE ROCKER ARM ASSEMBLY	1	
E05-09	129156590000	排气摇臂组合	EXHAUST ROCKER ARM ASSEMBLY	1	
E05-10	129196590000	排气门	THE EXHAUST VALVE	2	
E05-11	129106590000	后凸轮轴组合	REAR CAMSHAFT ASSEMBLY	1	
E05-12	B090105008AA	定位销5×8	LOCATING PIN 5×8	1	
E05-13	129036590000	凸轮轴链轮	CAMSHAFT SPROCKET	1	
E05-14	129046590000	凸轮轴链轮压板	CAMSHAFT SPROCKET PRESS PLATE	1	
E05-15	129016600000	螺栓M6×11	BOLT M6×11	2	

E06 活塞连杆曲轴平衡轴分总成 PISTON,CONNECTING ROD & CRANKSHAFT ASSY



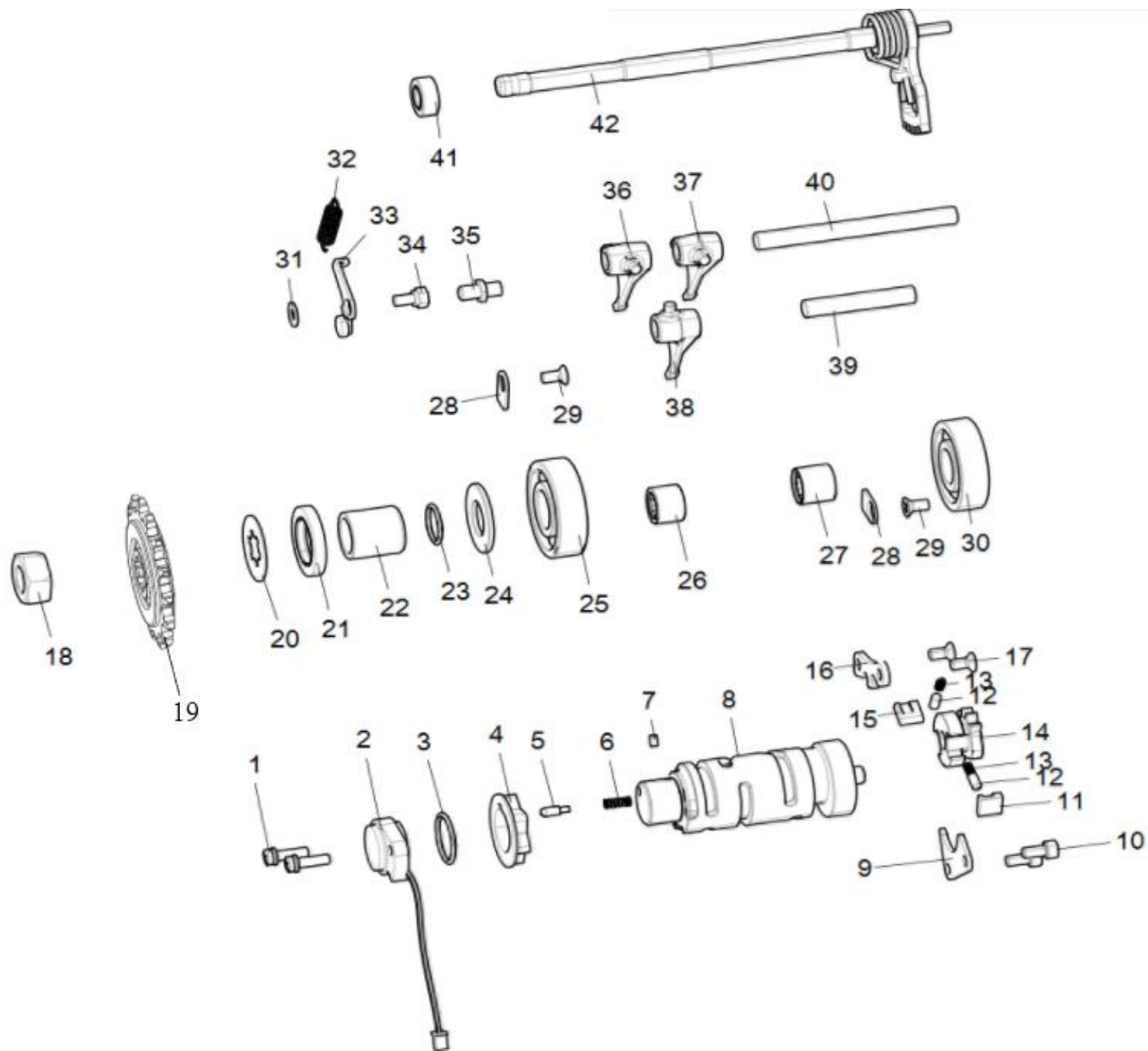
NO.	CODE	CN DESCRIPTION	EN DESCRIPTION	QTY	REMARKS
E06-01	179153070000	活塞销挡圈	PISTON PIN RETAINER	4	
E06-02	170016590000	活塞环组合	PISTON RING ASSEMBLY	2	
E06-03	179136590000	活塞	THE PISTON	2	
E06-04	179146590000	活塞销	THE PISTON PIN	2	
E06-05	B12016020702	滚动轴承	ROLLING BEARING	2	
E06-06	179016700000	曲轴连杆组件	CRANKSHAFT CONNECTING ROD ASSEMBLY	1	
E06-07	170036590000	初级驱动齿轮	PRIMARY DRIVE GEAR	1	
E06-07	170036700000	初级驱动齿轮	PRIMARY DRIVE GEAR	1	START VIN PRSQ250VEPA063237
E06-08	170066590000	初级驱动齿轮弹簧	PRIMARY DRIVE GEAR SPRING	3	
E06-09	170046590000	初级驱动副轮	PRIMARY DRIVE SUB-WHEEL	1	
E06-09	170046700000	初级驱动副轮	PRIMARY DRIVE SUB-WHEEL	1	START VIN PRSQ250VEPA063237
E06-10	179106590000	水泵驱动齿轮	PUMP DRIVE GEAR	1	
E06-11	170146590000	水泵驱动齿轮止动垫圈	WATER PUMP DRIVES GEAR STOP WASHER	1	
E06-12	170076590000	六角螺母M18×1.5	HEX NUT M18×1.5	1	
E06-13	170086590000	右曲柄油封	RIGHT CRANK OIL SEAL	1	
E06-14	170096590000	离合器盖喷油嘴	CLUTCH COVER NOZZLE	1	
E06-15	170236590000	右曲柄油封压板	RIGHT CRANK OIL SEAL PLATE	1	
E06-16	B0107060126H	螺钉M6×12	SCREW M6×12	1	

E07 曲轴箱分总成 CRANKCASE ASSY



NO.	CODE	CN DESCRIPTION	EN DESCRIPTION	QTY	REMARKS
E07-01	159146590000	螺塞	PLUG	2	
E07-02	15903659N901	右曲轴箱组件	RIGHT CRANKCASE ASSEMBLY	1	
E07-03	159096590000	通气盖板	VENTILATION PANEL	1	
E07-04	B0107060126H	六角法兰面螺栓M6×12	HEXAGON FLANGE BOLT M6×12	2	
E07-05	159356570000	喷油嘴	NOZZLE	2	
E07-06	159566570000	O型圈	O-RINGS	2	
E07-07	159136590000	通气管	VENT	1	
E07-08	150043090000	定位销	THE POSITIONING PIN	2	
E07-09	159116590000	水道密封O型圈16.8×3.1	CHANNEL SEAL O-RING 16.8×3.1	1	
E07-10	159126590000	盘销	PIN	1	
E07-11	15902659N901	左曲轴箱组件	LEFT CRANKCASE ASSEMBLY	1	
E07-12	160306030090	六角内梅花螺栓M6×40	HEXAGON SOCKET BOLT M6×40	1	
E07-13	160306030380	外六角内梅花螺栓M8×60	OUTER HEXAGON INNER PLUM BOLT M8×60	3	
E07-14	160306030110	六角内梅花螺栓M6×50	HEXAGON SOCKET BOLT M6×50	3	
E07-15	160306030140	六角内梅花螺栓M6×85	HEXAGON SOCKET BOLT M6×85	2	
E07-16	B0107060126H	六角法兰面螺栓M6×12	HEXAGON FLANGE BOLT M6×12	1	
E07-17	150013070000	垫圈6	WASHER 6	1	
E07-18	169326590000	油道螺塞	OIL PLUG	1	
E07-19	150093090000	密封垫片14×20×1.5	SEALING GASKET 14×20×1.5	1	
E07-20	160306030130	六角内梅花螺栓M6×65	HEXAGON SOCKET BOLT M6×65	1	
E07-21	08014P620009	内六角花形凹穴法兰面螺栓M8×65	HEXAGON FLOWER CONCAVE FLANGE M8×65	1	
E07-22	160306030120	六角内梅花螺栓M6×60	HEXAGON SOCKET BOLT M6×60	1	
E07-23	150316030110	螺栓M8×75	BOLT M8×75	1	
E07-24	159046590000	放油螺栓M10×1.25×16	DRAIN BOLT M10×1.25×16	1	
E07-25	159346190000	铜垫片	COPPER GASKETS	1	

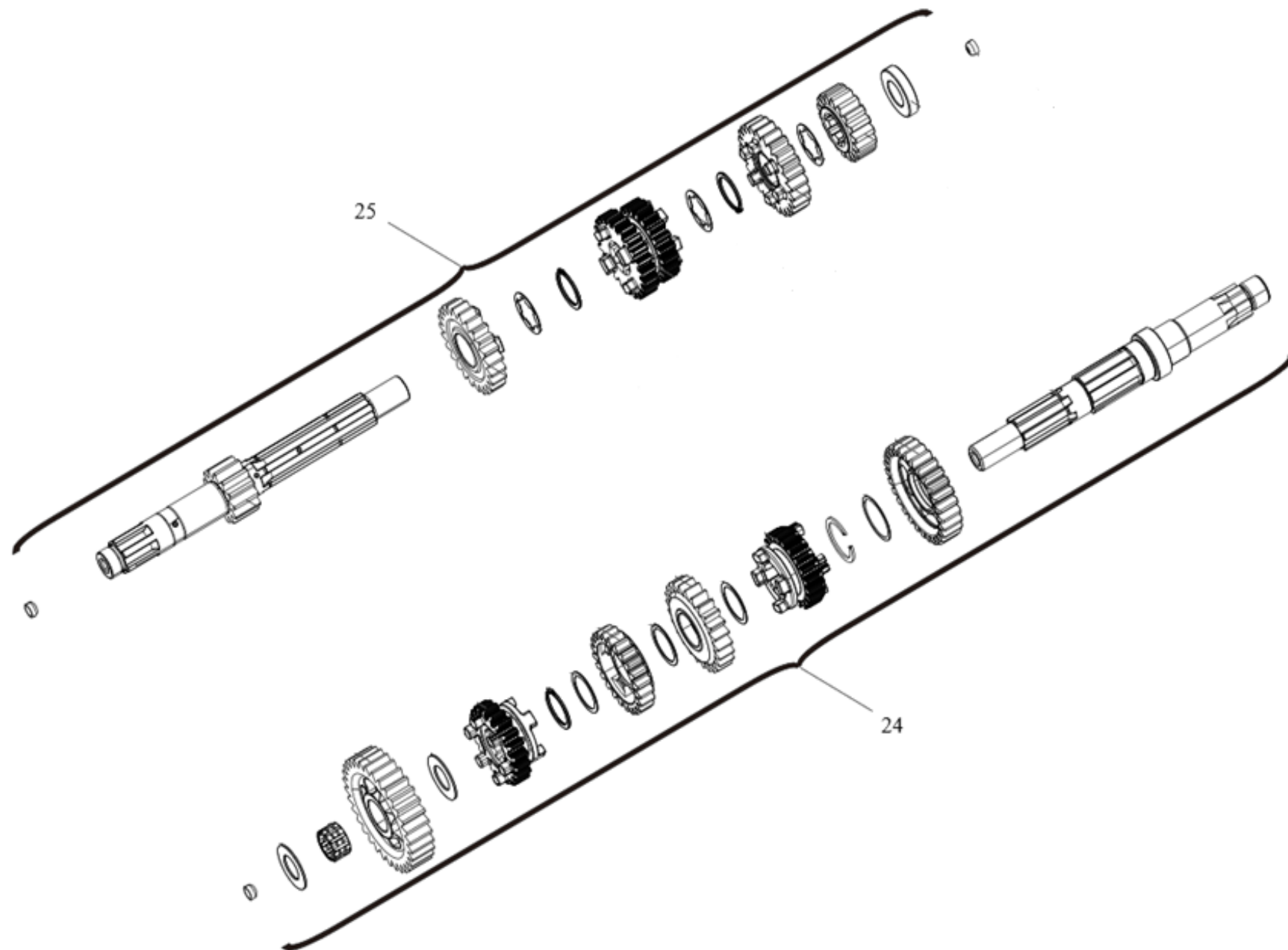
E08 变速换挡机构分总成 GEAR SHIFT MECHANISM ASSEMBLY



NO.	CODE	CN DESCRIPTION	EN DESCRIPTION	QTY	REMARKS
E08-01	B1308050200H	组合螺钉M5×20	COMBINATION SCREW M5×20	2	
E08-02	150196030060	档位传感器	GEAR SENSOR	1	
E08-03	219386590000	O型圈	O-RINGS	1	
E08-04	219396590000	变档凸轮定位盘	SHIFT CAM POSITIONING DISC	1	
E08-05	210323090000	变档转换触头	GEAR CHANGE CONTACT	1	
E08-06	210313090000	触头弹簧	CONTACT SPRING	1	
E08-07	B091404006B0	销4×6	PIN 4×6	1	
E08-08	219056590000	变档凸轮组合	SHIFT CAM COMBINATION	1	
E08-09	250063090020	棘轮上挡板	RATCHET ON THE BAFFLE	1	
E08-10	160306030010	六角内梅花螺栓M6×12	HEXAGON SOCKET BOLT M6×12	2	
E08-11	210293090000	左棘爪	LEFT CLICK	1	
E08-12	210303090000	棘爪顶柱	RATCHET NEEDLE	2	
E08-13	210283090000	棘爪弹簧	RATCHET SPRING	2	
E08-14	250083090000	变档棘轮组件	VARIABLE GEAR RATCHET ASSEMBLY	1	
E08-15	210273090000	右棘爪	RIGHT CLICK	1	
E08-16	250033090000	棘轮下挡板	RATCHET LOWER BAFFLE	1	
E08-17	B0201060126H	十字槽沉头螺钉M6×12	CROSS COUNTERSUNK HEAD SCREW M6x12	2	
E08-18	210063090100	锁紧螺母M16×1.5	LOCK NUT M16×1.5	1	
E08-19	219296590000	链轮组件	SPROCKET COMPONENTS	1	
E08-20	219316590000	链轮止动垫圈	SPROCKET STOP WASHER	1	
E08-21	210073090000	油封27×40×6	OIL SEAL 27×40×6	1	
E08-22	210146590000	链轮衬套	SPROCKET BUSHING	1	
E08-23	210156590000	输出链轮O型圈19×2.4	OUTPUT SPROCKET O-RING 19×2.4	1	
E08-24	210106590000	油封挡圈	OIL SEAL RING	1	
E08-25	B12016632202	滚动轴承	ROLLING BEARING	1	
E08-26	210116590000	驱动轴右轴承	DRIVE SHAFT RIGHT BEARING	1	
E08-27	B1212K151800	滚针轴承15×21×18	NEEDLE ROLLER BEARING 15×21×18	1	
E08-28	210186590010	轴承挡板	BEARING DAMPER	2	
E08-29	B0201060126H	十字槽沉头螺钉M6×12	CROSS COUNTERSUNK HEAD SCREW M6×12	2	
E08-30	B12016030402	深沟球轴承6304/P53 Z2	DEEP GROOVE BALL BEARING 6304/P53 Z2	1	

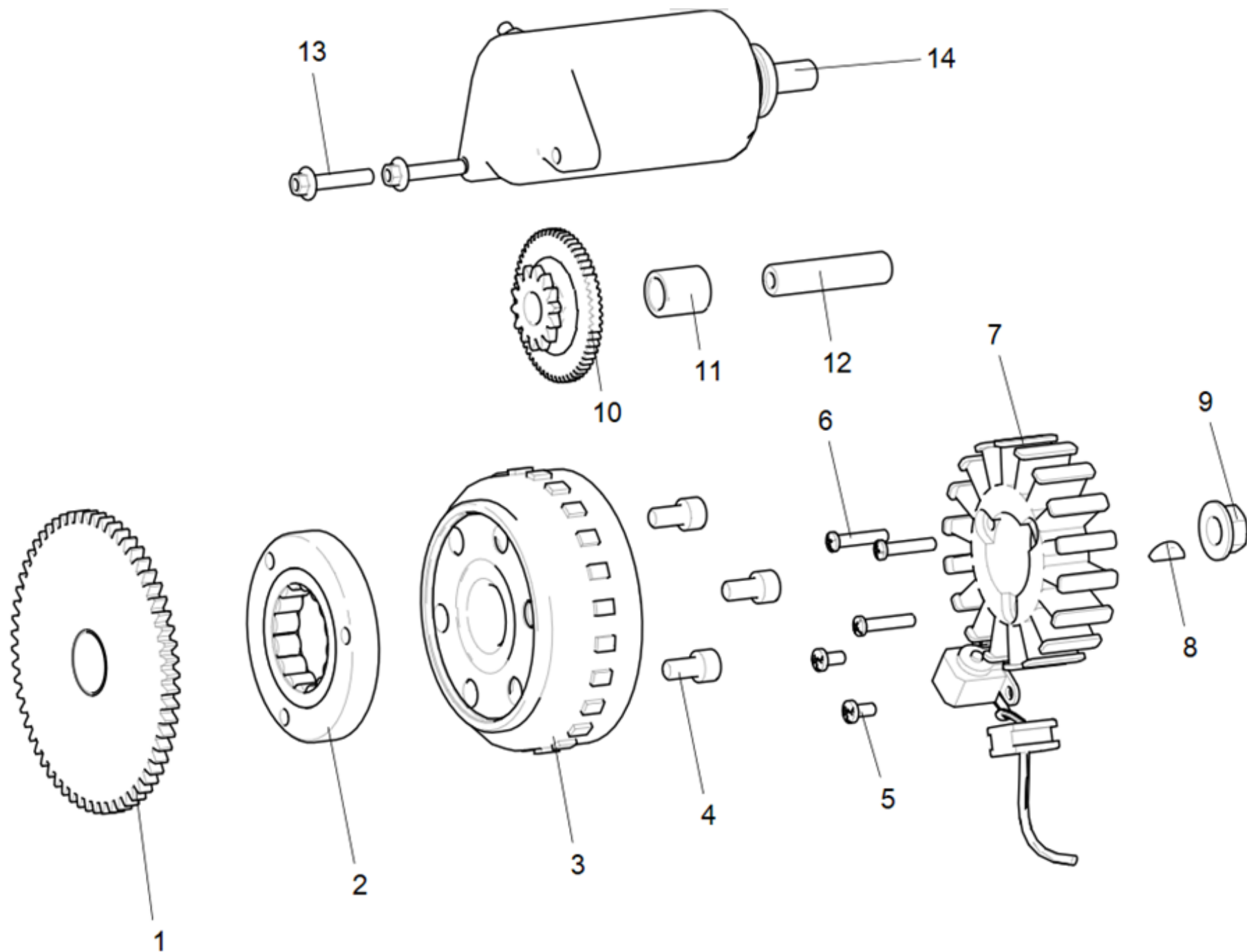
NO.	CODE	CN DESCRIPTION	EN DESCRIPTION	QTY	REMARKS
E08-31	219496590000	变档定位板垫片	SHIFTER POSITIONING PLATE GASKET	1	
E08-32	219506590000	变档定位板拉簧	SHIFT POSITIONING PLATE TENSION SPRING	1	
E08-33	219326590000	变档凸轮定位板组合	SHIFT CAM POSITIONING PLATE COMBINATION	1	
E08-34	219516590000	变档定位板螺栓	SHIFT PLATE BOLTS	1	
E08-35	150123090000	定位螺栓	LOCATING BOLT	1	
E08-36	219116590000	变挡拨叉Ⅲ	SHIFTING FORK Ⅲ	1	
E08-37	219126590000	变挡拨叉Ⅱ	SHIFT FORK Ⅱ	1	
E08-38	219106590000	变挡拨叉Ⅰ	SHIFT FORK I	1	
E08-39	219083090000	拨叉轴(中)	FORK SHAFT (MIDDLE)	1	
E08-40	219093090000	拨叉轴	FORK SHAFT	1	
E08-41	210373090000	油封12×22×9	OIL SEAL 12×22×9	1	
E08-42	219016590000	变档轴组件	SHIFT SHAFT ASSEMBLY	1	

E09 主副轴组件 MAIN AND AUXILIARY SHAFT ASSEMBLY



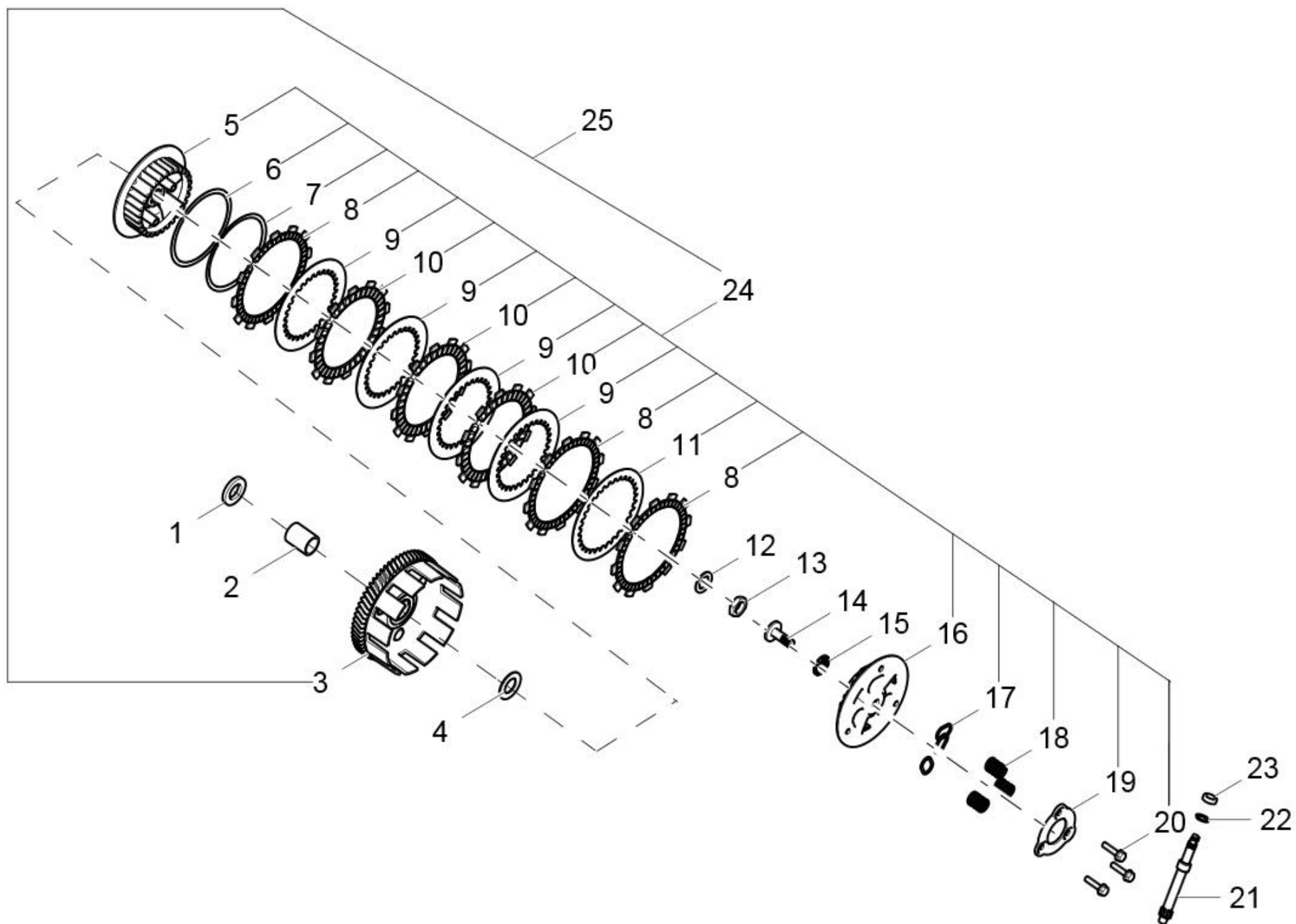
NO.	CODE	CN DESCRIPTION	EN DESCRIPTION	QTY	REMARKS
E09-24	219216590010	副轴组合	COMBINATION COUNTERSHAFT	1	
E09-25	219136590000	主轴组合	THE SPINDLE COMBINATION	1	

E10 电启动分总成 ELECTRIC STARTER ASSY



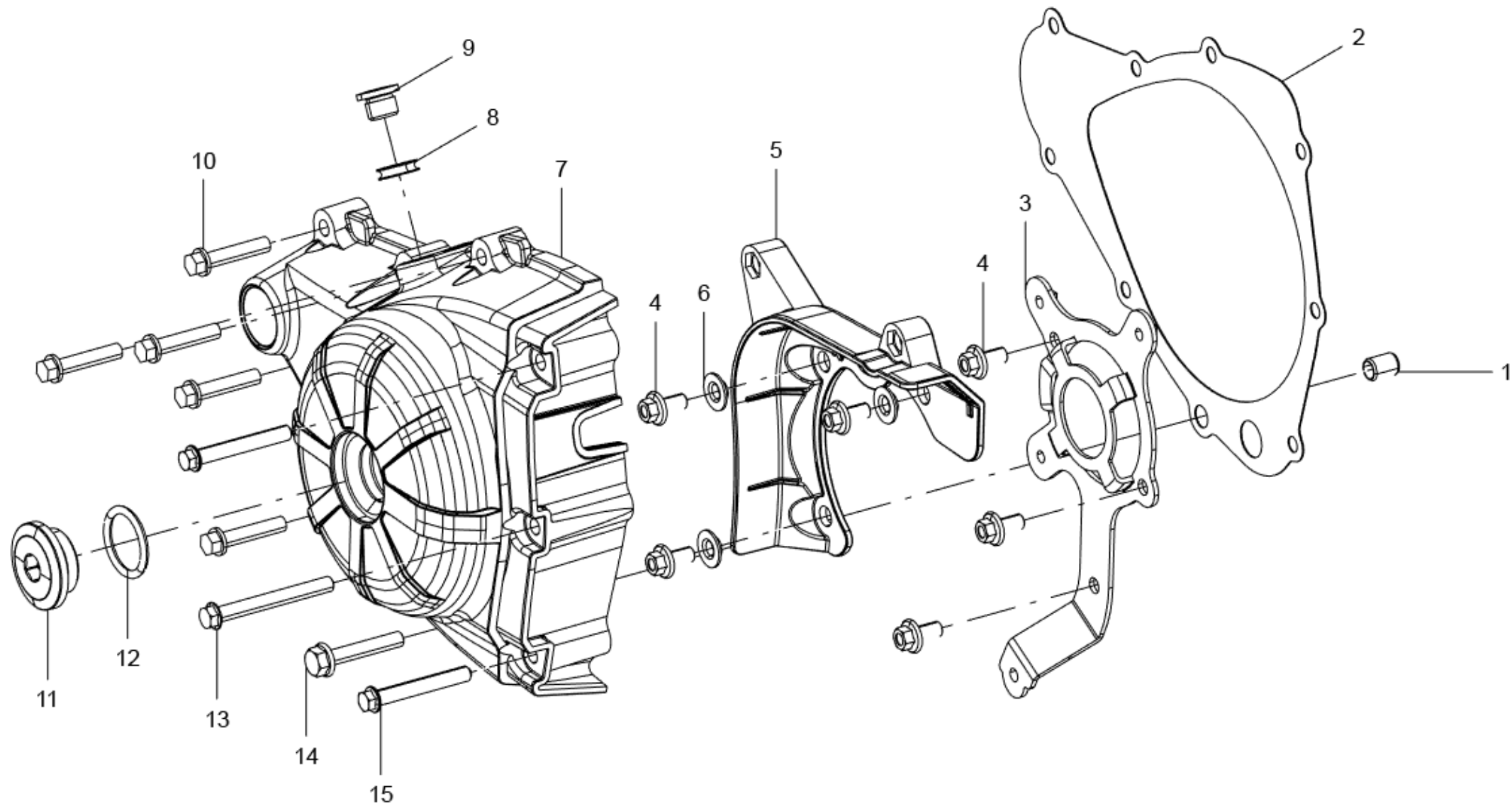
NO.	CODE	CN DESCRIPTION	EN DESCRIPTION	QTY	REMARKS
E10-01	249086590000	起动大齿轮组件	START LARGE GEAR ASSEMBLY	1	
E10-01	249076590000	起动大齿轮组件	START LARGE GEAR ASSEMBLY	1	START VIN PRSQ250VEPA063237
E10-02	249106590000	超越离合器组件	OVERRUNNING CLUTCH ASSEMBLY	1	
E10-03	299026590000	飞轮组合	THE FLYWHEEL COMBINATION	1	
E10-04	240025140000	螺钉M8×15	SCREW M8×15	3	
E10-05	B0205050126H	螺钉M5×12	SCREW M5×12	2	
E10-06	B0205050306H	螺钉M5×30	SCREW M5×30	3	
E10-07	299036590000	定子组合	COMBINATION OF THE STATOR	1	
E10-08	170016590010	半圆键4×6.5×16	WOODRUFF KEY 4×6.5×16	1	
E10-09	240013060110	螺母M12×1.25	NUT M12×1.25	1	
E10-10	249046590000	电启动惰齿轮	ELECTRICALLY START IDLE GEAR	1	
E10-11	249066590000	启动惰轮轴衬套	START IDLER BUSHING	1	
E10-12	240023090000	销轴	PIN	1	
E10-13	160306030070	六角内梅花螺栓M6×30	HEXAGON SOCKET BOLT M6×30	2	
E10-14	249016590000	起动电机	THE STARTER MOTOR	1	

E11 离合器分总成 CLUTCH SYSTEM



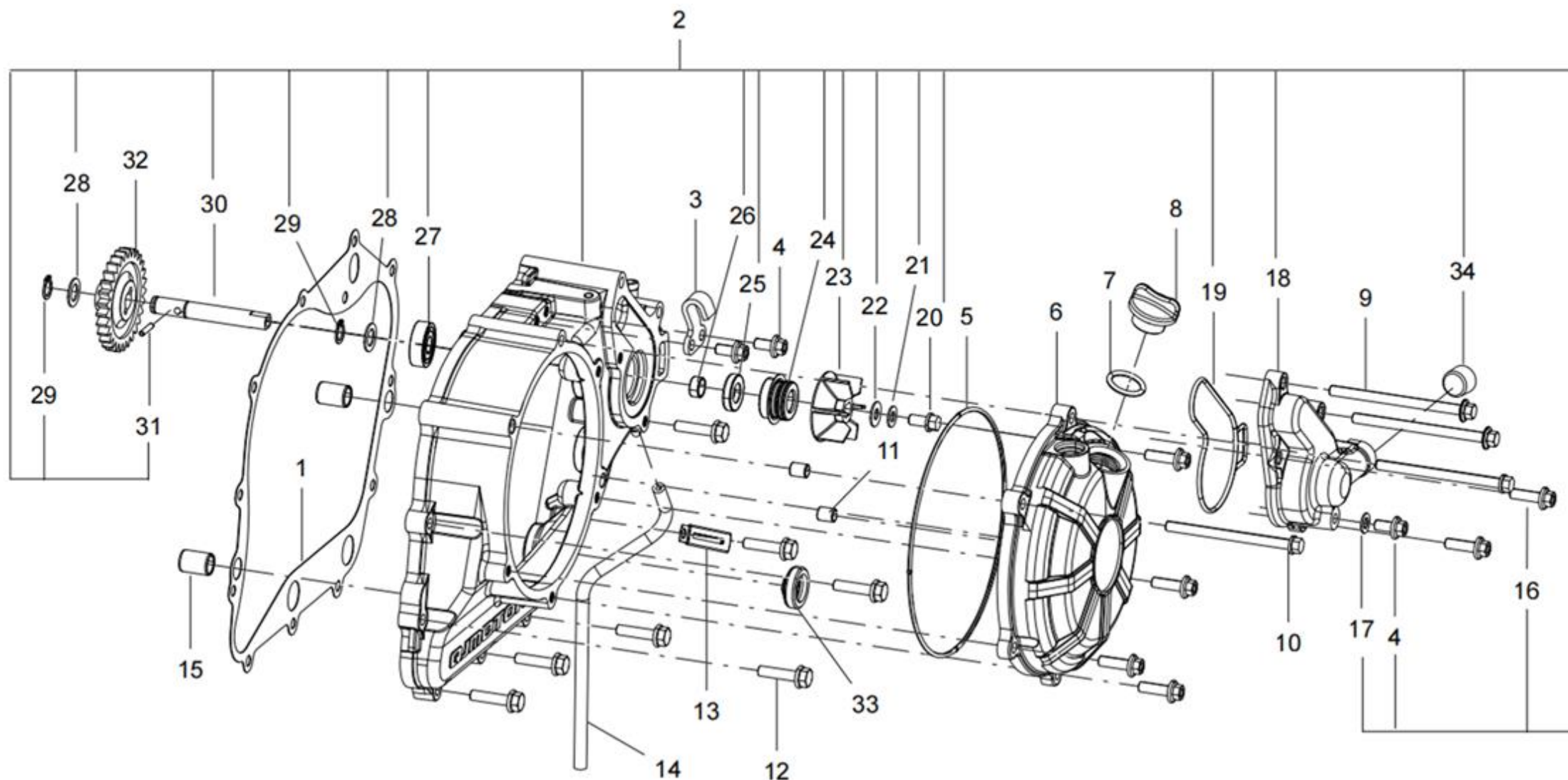
NO.	CODE	CN DESCRIPTION	EN DESCRIPTION	QTY	REMARKS
E11-01	209186590000	初级从动齿轮垫片	PRIMARY DRIVEN GEAR GASKET	1	
E11-02	209176590000	离合器大毂内衬套	CLUTCH BIG HUB LINER	1	
E11-03	209026590010	离合器主动毂组件	CLUTCH ACTIVE HUB ASSEMBLY	1	
E11-03	209026700000	离合器主动毂组件	CLUTCH ACTIVE HUB ASSEMBLY	1	START VIN PRSQ250VEPA063237
E11-04	209136590000	离合器大毂垫片	CLUTCH LARGE HUB GASKET	1	
E11-05	200126590010	离合器从动毂	CLUTCH DRIVEN HUB	1	
E11-06	209316590010	垫圈	THE GASKET	1	
E11-07	209326590010	蝶形弹簧	BUTTERFLY SPRING	1	
E11-08	209156590000	摩擦片	FRICITION PLATE	3	
E11-09	209166590010	离合器片 I	CLUTCH DISC I	4	
E11-10	209286590010	离合器主动摩擦片 II	CLUTCH ACTIVE FRICTION PLATE II	3	
E11-11	209306590010	离合器片 II	CLUTCH PLATE II	1	
E11-12	200154050000	垫圈	THE GASKET	1	
E11-13	209146590000	离合器锁紧螺母	CLUTCH LOCK NUT	1	
E11-14	209196590000	离合器分离齿条	CLUTCH DISENGAGES RACK	1	
E11-15	B1203J102400	推力滚针和保持架组件AXK1024	THRUST NEEDLE ROLLER & CAGE ASSY AXK1024	1	
E11-16	209226590010	离合器压盘	CLUTCH PLATE	1	
E11-17	200086590010	弹簧垫片	SPRING GASKET	3	
E11-18	200096590010	离合器弹簧	CLUTCH SPRING	3	
E11-19	200076590010	弹簧压板	A SPRING CLAMP	1	
E11-20	B0107060256H	螺栓M6×25	BOLT M6×25	3	
E11-21	209246590000	离合器摇臂齿轮	CLUTCH ROCKER GEAR	1	
E11-22	209266590000	离合器拉杆油封垫片	CLUTCH PULL ROD OIL SEAL GASKET	1	
E11-23	209256590000	油封10×17×5	OIL SEAL 10×17×5	1	
E11-24	209036590010	离合器中枢组件	CLUTCH CENTRAL ASSEMBLY	1	
E11-25	209016590010	离合器组件	CLUTCH ASSEMBLY	1	
E11-25	209016700000	离合器组件	CLUTCH ASSEMBLY	1	START VIN PRSQ250VEPA063237

E12 左盖分总成 LEFT COVER ASSY



NO.	CODE	CN DESCRIPTION	EN DESCRIPTION	QTY	REMARKS
E12-01	150112070000	定位销 $\phi 7 \times \phi 9 \times 12$	LOCATING PIN FROM $\phi 7 \times \phi 9 \times 12$	1	
E12-02	169076590000	左盖密封垫	LEFT COVER GASKET	1	
E12-03	169346590000	链轮支架组件	SPROCKET BRACKET ASSEMBLY	1	
E12-04	B0107060126H	六角法兰面螺栓M6 \times 12	BOLT M6 \times 12	6	
E12-05	169426590010	链轮内罩组件	SPROCKET INNER COVER ASSEMBLY	1	
E12-06	169316590000	翻边垫圈	THE FLANGE GASKET	3	
E12-07	16902659MM00	磁电机盖	MAGNETO COVER	1	
E12-08	109256520000	垫片	GASKET	1	
E12-09	16020309011X	螺塞	PLUG	1	
E12-10	160306030070	螺栓M6 \times 30	BOLT M6 \times 30	5	
E12-11	16908657MM00	曲轴观察孔螺塞	CRANKSHAFT OBSERVATION HOLE PLUG	1	
E12-12	169316570000	O型圈	O-RINGS	1	
E12-13	B0107060556H	六角头法兰面螺栓M6 \times 55	BOLT M6 \times 55	1	
E12-14	160306030080	六角内梅花螺栓M6 \times 35	HEXAGON SOCKET BOLT M6 \times 35	1	
E12-15	B0107060456H	六角头法兰面螺栓M6 \times 45	BOLT M6 \times 45	2	

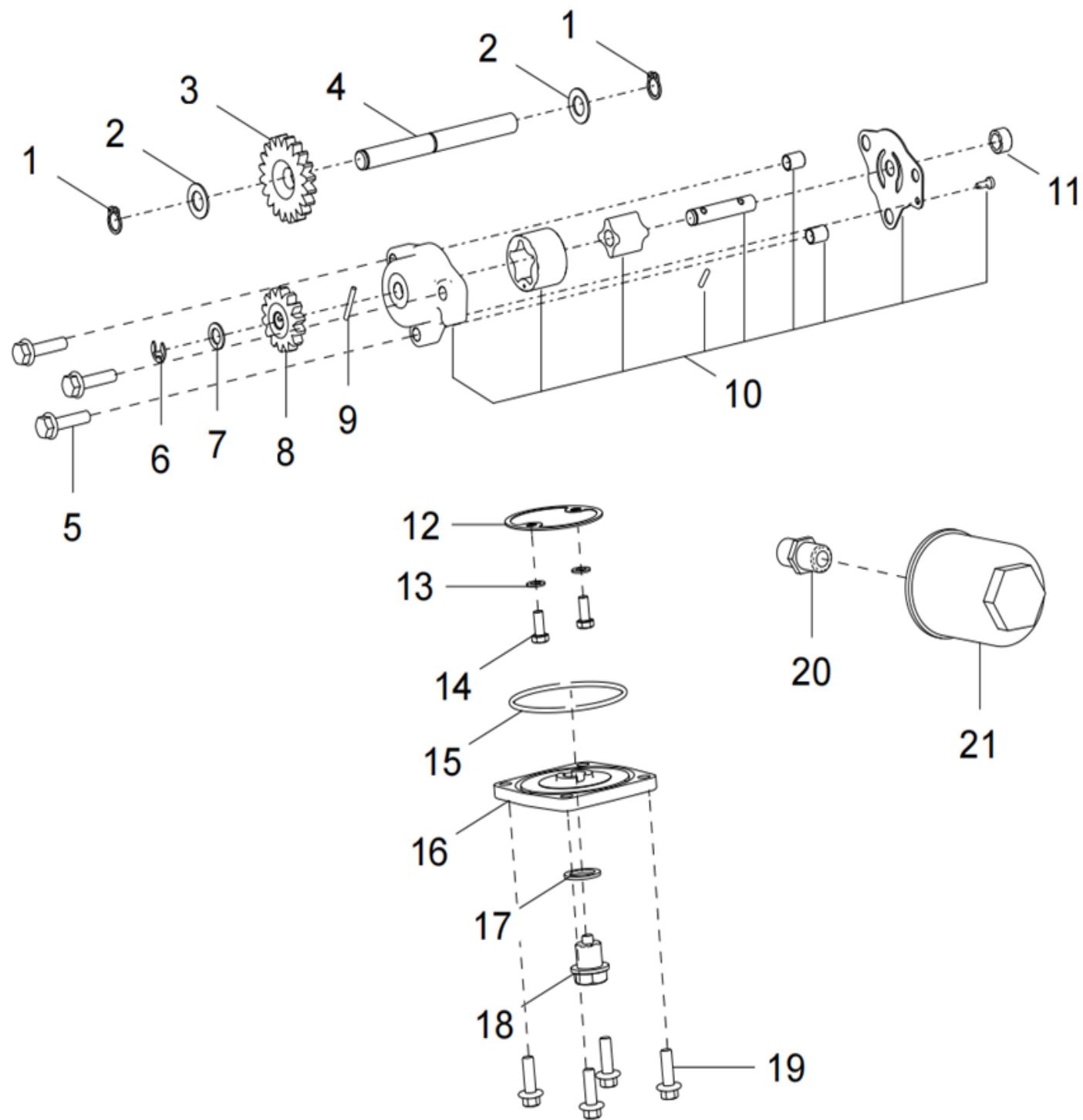
E13 右盖分总成 RIGHT COVER ASSY



NO.	CODE	CN DESCRIPTION	EN DESCRIPTION	QTY	REMARKS
E13-01	169116590000	离合器内盖密封垫	CLUTCH INNER COVER GASKET	1	
E13-02	16960659N901	水泵右盖组件	WATER PUMP RIGHT COVER ASSEMBLY	1	
E13-03	169376590000	离合器盖拉线夹	CLUTCH COVER CABLE CLAMP	1	
E13-04	160306030010	六角内梅花螺栓M6×12	HEXAGON SOCKET BOLT M6×12	3	
E13-05	169336590000	右盖外罩O型圈	O-RING FOR RIGHT COVER OUTER COVER	1	
E13-06	16920659MM00	离合器外盖	CLUTCH COVER	1	

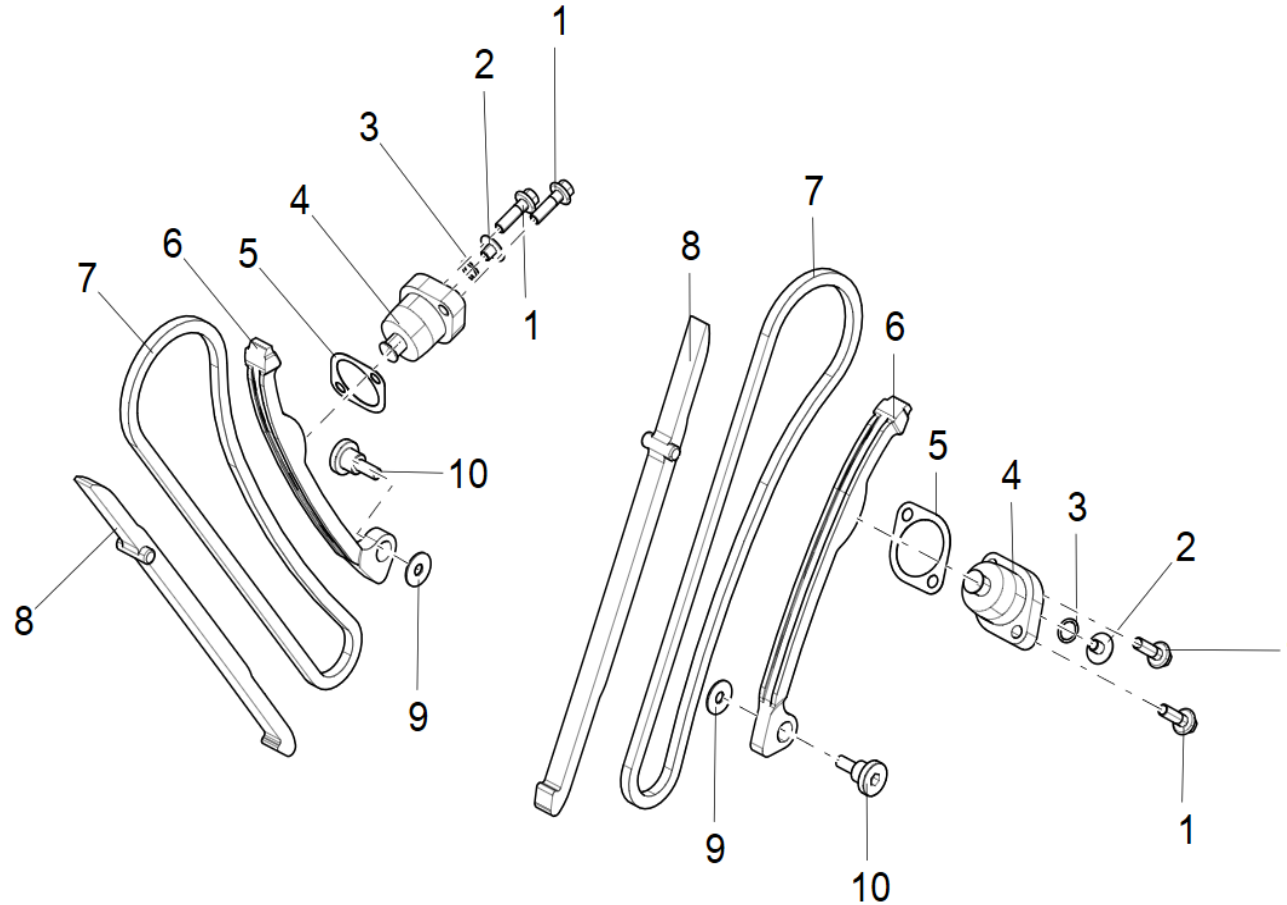
NO.	CODE	CN DESCRIPTION	EN DESCRIPTION	QTY	REMARKS
E13-07	160063070000	O型圈18×3.5	O-RINGS 18×3.5	1	
E13-07	159116590000	O型圈16.8×3.1	O-RING 16.8×3.1	1	START VIN PRSQ250VEPA063237
E13-08	16006309MM01	加油口螺塞	FILLER PORT PLUG	1	
E13-09	160306030140	六角内梅花螺栓M6×85	HEXAGON SOCKET BOLT M6×85	2	
E13-10	160306030290	螺栓M6×80	BOLT M6×80	2	
E13-11	150016080000	定位销Φ8×10	DOWEL Φ 8×10	2	
E13-12	160306030050	螺栓M6×25	BOLT M6×25	7	
E13-13	58430J000000	线夹组件	WIRE CLIP COMPONENT	1	
E13-15	150043090000	定位销	THE POSITIONING PIN	2	
E13-16	160306030030	六角内梅花螺栓M6×20	HEXAGON SOCKET BOLT M6×20	6	
E13-17	170226090000	垫片6.5×12×1	GASKET 6.5×12×1	1	
E13-18	279296590000	水泵盖	PUMP COVER ASSEMBLY	1	
E13-18	27972659N901	水泵盖	PUMP COVER ASSEMBLY	1	START VIN PRSQ250VEPA063237
E13-19	279316590000	水泵盖密封圈	SEAL RING OF PUMP COVER	1	
E13-20	B0101060122H	六角头螺栓M6×12	HEX BOLTS M6×12	1	
E13-21	279336590000	叶轮垫片	IMPELLER GASKET	1	
E13-22	279376590000	叶轮密封垫圈	IMPELLER SEAL WASHER	1	
E13-23	279216590000	叶轮	THE IMPELLER	1	
E13-23	27921659001X	叶轮	THE IMPELLER	1	START VIN PRSQ250VEPA063237
E13-24	279396590000	水封	WATER SEAL	1	
E13-25	279406590000	油封10×22×5	OIL SEAL 10×22×5	1	
E13-26	279656590000	衬套10×12×5	BUSHING 10×12×5	1	
E13-27	B12016000003	轴承6000	BEARING 6000	1	
E13-28	159236250000	垫圈	THE GASKET	2	
E13-29	B080100010A6	轴用弹性挡圈10	SHAFT WITH ELASTIC RETAINER 10	2	
E13-30	279226590000	水泵轴	WATER PUMP SHAFT	1	
E13-31	B090103016B0	销3×16	PIN 3×16	1	
E13-32	279446590000	水泵齿轮	GEAR PUMP	1	
E13-33	160083090000	油面指示器组合	OIL LEVEL INDICATOR ASSEMBLY	1	
E13-34	279716590000	水泵盖螺塞	WATER PUMP COVER PLUG	1	

E14 机油泵分总成 OIL PUMP SYSTEM



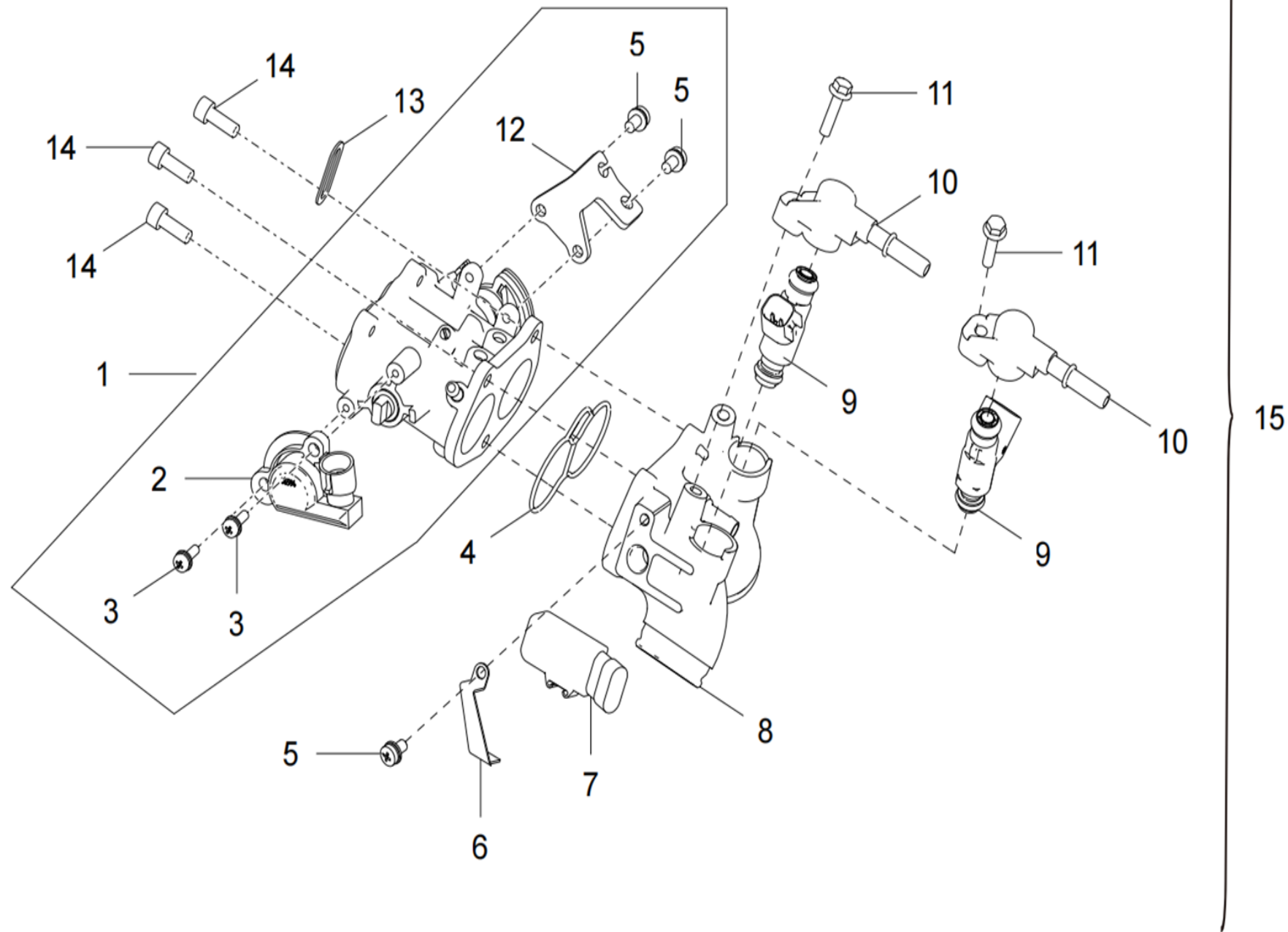
NO.	CODE	CN DESCRIPTION	EN DESCRIPTION	QTY	REMARKS
E14-01	B08010001000	轴用弹性挡圈10	SHAFT WITH ELASTIC RETAINER 10	2	
E14-02	260196590000	机油泵惰轮垫片	OIL PUMP IDLER WHEEL GASKET	2	
E14-03	260156590000	机油泵惰轮	OIL PUMP IDLER	1	
E14-04	260166590000	机油泵惰轮轴	OIL PUMP IDLER SHAFT	1	
E14-05	B0107060256H	六角头法兰面螺栓M6×25	HEXAGON FLANGE BOLTS M6×25	3	
E14-06	B08030000601	开口挡圈Φ6	THE OPENING RETAINING RING IS Φ 6	1	
E14-07	260146590000	机油泵驱动齿轮垫片	OIL PUMP DRIVES GEAR GASKET	1	
E14-08	289086590000	机油泵从动齿轮	DRIVEN GEAR OF OIL PUMP	1	
E14-09	B210125198P2	销2.5×19.8	PIN 2.5×19.8	1	
E14-10	289076590000	机油泵组件	OIL PUMP ASSEMBLY	1	
E14-11	240023370000	超越离合器轴套	OVERRIDE CLUTCH SLEEVE	1	
E14-12	150103090000	滤网组件	FILTER ELEMENTS	1	
E14-13	100084050000	垫圈5	WASHER 5	2	
E14-14	B0103050126H	六角头螺栓M5×12	HEXAGON HEAD BOLT M5×12	2	
E14-15	B190106050B0	O型圈密封圈	O-RING SEAL RING	1	
E14-16	15008659BG00	机油滤网盖	OIL FILTER COVER	1	
E14-17	150093090000	密封垫片	SEALING GASKET	1	
E14-18	260086590000	放油螺栓	OIL DRAIN BOLT	1	
E14-19	B0107060186H	六角头法兰面螺栓M6×18	HEXAGON FLANGE BOLTS M6×18	4	
E14-20	260116590000	机油过滤器接头	OIL FILTER JOINT	1	
E14-21	260106590000	机油滤清器	OIL FILTER	1	

E15 正时张紧机构分总成 TIMING TENSIONING MECHANISM SYSTEM



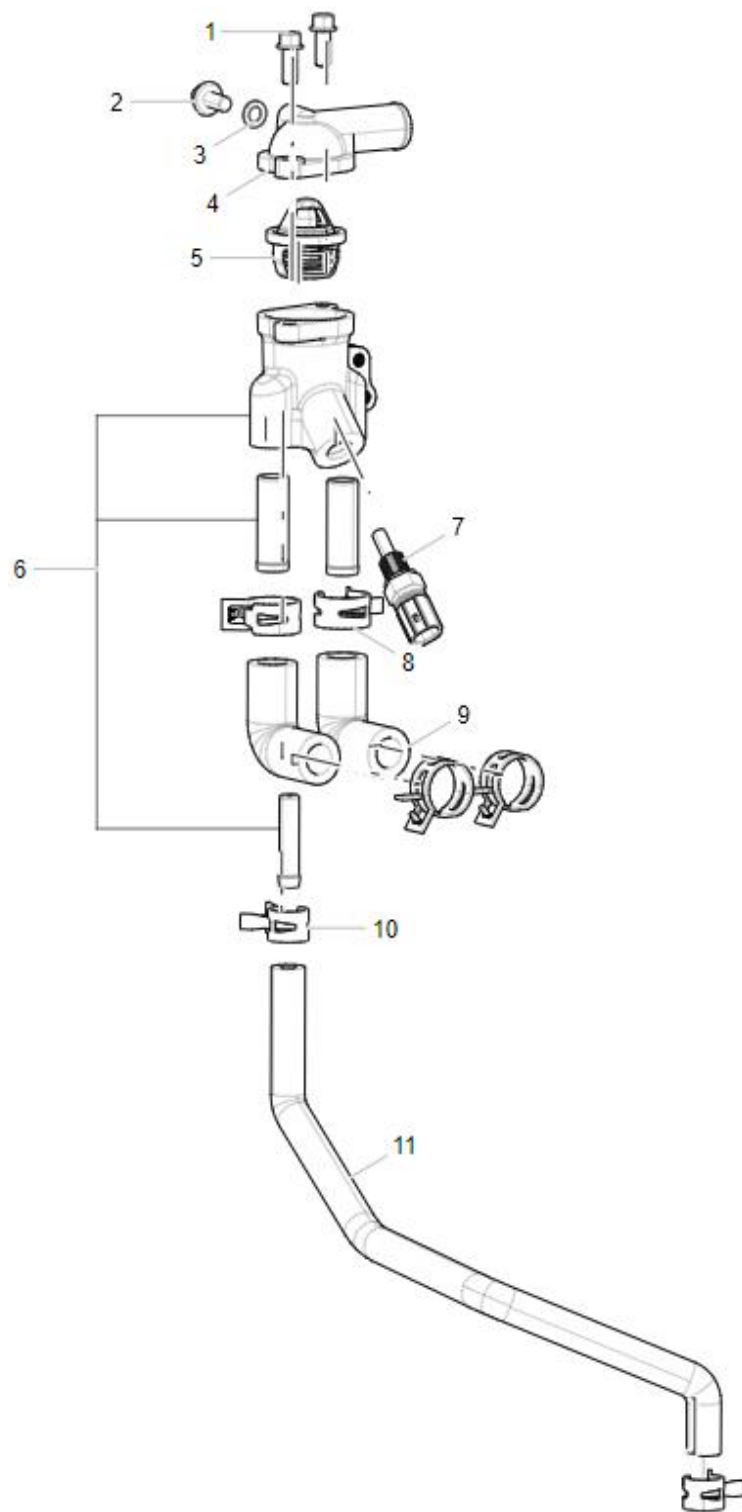
NO.	CODE	CN DESCRIPTION	EN DESCRIPTION	QTY	REMARKS
E15-01	160306030030	六角法兰面螺栓M6×20	HEX FLANGE BOLTS M6×20	4	
E15-02	14005305001X	堵钉	NAIL WALL	2	
E15-03	210043050000	O型圈	O-RINGS	2	
E15-04	14904659N901	链条涨紧器组合	CHAIN TENSIONER ASSEMBLY	2	
E15-05	140036590000	张紧器垫片	TENSIONER GASKET	2	
E15-06	149036590000	链条张紧板	CHAIN TENSIONING PLATE	2	
E15-07	129016590000	正时链条	TIMING CHAIN	2	
E15-08	149026590000	链条导板	CHAIN GUIDE	2	
E15-09	140026590000	张紧板螺栓垫圈	TENSIONING PLATE BOLT WASHER	2	
E15-10	140016590000	张紧板螺栓	TENSION PLATE BOLTS	2	

E16 节流阀体分总成 THROTTLE BODY SYSTEM



NO.	CODE	CN DESCRIPTION	EN DESCRIPTION	QTY	REMARKS
E16-01	289166590000	节气门组	THROTTLE SET	1	
E16-02	289136590000	节流阀定位传感器 (TPS)	THROTTLE VALVE POSITIONING SENSOR (TPS)	1	
E16-03	B1308040140H	螺钉组合件	SCREW ASSEMBLY	2	
E16-04	289206590000	O型圈(法兰阀体)	O-RING (FLANGED BODY)	1	
E16-05	B1308050100H	组合螺钉M5×10	COMBINATION SCREW M5×10	3	
E16-06	289466590000	卡夹	CARD HOLDER	1	
E16-07	289096590000	进气温度压力传感器	INTAKE TEMPERATURE PRESSURE SENSOR	1	
E16-08	289176590000	进气弯管	AIR INTAKE PIPE BENDING	1	
E16-09	289226590000	喷嘴	THE NOZZLE	2	
E16-10	289216590000	喷嘴帽	THE NOZZLE CAP	2	
E16-11	B0107050206H	六角法兰面螺栓M5×20	HEXAGON FLANGE BOLTS M5×20	2	
E16-12	289406590000	拉线支架	ANCHOR SUPPORT	1	
E16-13	289156590000	线夹子	WIRE CLIP	1	
E16-14	B0205060166H	内六角圆柱头螺钉M6×16	HEXAGON SOCKET HEAD SCREW M6×16	3	
E16-15	289016590010	节流阀体组件	THROTTLING BODY ASSEMBLY	1	

E17 节温器分总成 THERMOSTAT ASSY.



NO.	CODE	CN DESCRIPTION	EN DESCRIPTION	QTY	REMARKS
E17-01	B0107060146H	六角法兰面螺栓M6×14	HEX FLANGE BOLTS M6×14	2	
E17-02	B0107060126H	六角法兰面螺栓M6×12	HEX FLANGE BOLTS M6×12	1	
E17-03	150013070000	垫圈6	WASHER 6	1	
E17-04	27953659BG00	节温器盖	THERMOSTAT COVER	1	
E17-05	279166590000	节温器	THERMOSTAT	1	
E17-06	27952659BG00	节温器下壳体组件	HOUSING ASSEMBLY UNDER THERMOSTAT	1	
E17-07	270014590000	水温传感器	WATER TEMPERATURE SENSOR	1	
E17-08	150226280000	卡箍	CLAMP	4	
E17-09	279596590000	节温器进水管	THERMOSTAT INLET PIPE	2	
E17-10	279706590000	板式卡箍14	PLATE CLAMP 14	2	
E17-11	279576590000	节温器旁路软管	THERMOSTAT BYPASS HOSE	1	