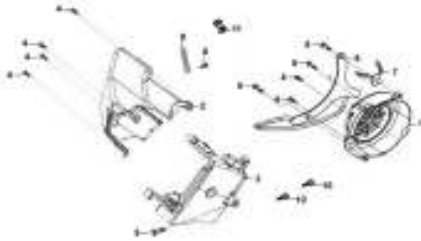


N	MODEL	XC12W1-MYC(JET 14 125/X8B)			
	DATE	Mar-18	Mar-18	Mar-18	
O	BASIC COLOR	RDAE	BPAE	WAAE	
	COLOR CODE	R-010CA/GY-7450U	BU-289S/GY-7450U	WH-006/GY-7450U	
	Description	Parts Number	RED+GRAY	BLUE+GRAY	WHITE+GRAY
1	R FR. COVER	64301-X8A-000	RD	BP	WA
2	L FR. COVER	64302-X8A-000	RD	BP	WA
3	R BODY COVER	83500-X8A-000	RD	BP	WA
4	L BODY COVER	83600-X8A-000	RD	BP	WA
5	RR. CENTER COVER	83650-X8A-000	RD	BP	WA
6	R RR. SIDE COVER	83530-X8A-000	AE	AE	AE
7	L RR. SIDE COVER	83630-X8A-000	AE	AE	AE
8	R BODY LOWER COVER	83510-X8A-000	AE	AE	AE
9	L BODY LOWER COVER	83610-X8A-000	AE	AE	AE
10	WIND SCREEN GARNISH	67110-X8A-000	AE	AE	AE
11	FR. FENDER	61100-X8A-000	K	K	K
12	METER UP COVER	53208-X9B-000	●	●	●
13	R BACK MIRROR	88110-XPA-000	K	K	K
14	L BACK MIRROR	88120-XPA-000	K	K	K
15	RR. CUSHION	52400-AP1-000	K	K	K
16	FR. R CUSHION	51400-X8A-000	K	K	K
17	FR. L CUSHION	51500-X8A-000	K	K	K
18	SPEEDMETER ASS'Y	37200-X8A-010	●	●	●
19	RR. CARRIER	81200-X8A-000	K	K	K
20	BODY COVER EMBLEM	87128-X8B-000	●	●	●
21	R. SIDE COVER STRIPE	87131-X8B-000	T1	T2	T3
22	L. SIDE COVER STRIPE	87132-X8B-000	T1	T2	T3
23	RH. Inner box garnish	81133-X8A-000	AE	AE	AE
24	FR. COVER LID EMBLEM	87552-L6G-900	●	●	●
25	HNDL. PIPE UP. HOLDER	53131-AWU-000	KH	KH	KH
26	FRAME NUMBER LID	64318-ALA-000	BK	BK	BK
27	L. CRANK CASE COVER	11341-XMA-020	K1	K1	K1
28	LH. INNER BOX GARNISH	81143-X8A-000	AE	AE	AE
29	R.FR COVER STRIPE	87123-X8B-000	T1	T1	T2
30	L.FR COVER STRIPE	87124-X8B-000	T1	T1	T2
31	R.BODY COVER STRIPE B	87125-X8B-000	T1	T1	T2
32	L.BODY COVER STRIPE B	87126-X8B-000	T1	T1	T2
33	SYM STRIPE	87170-U11-000	T2	T2	T1
34	R.ODY COVER STRIPE B	87129-X8B-000	●	●	●
35	L BODY COVER STRIPE B	87130-X8B-000	●	●	●
36	HANDLE HOLDER EMBLEM	87170-X8B-000	●	●	●

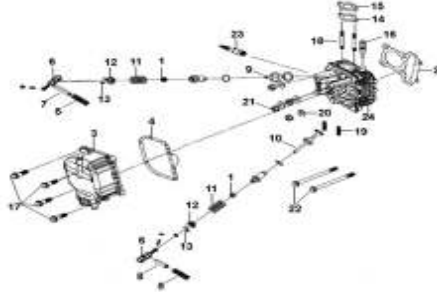
引擎部品目錄

CONTENTS-ENGINE GROUP

E01 SHROUD ASSY



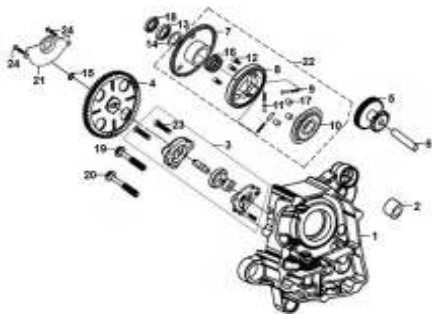
E02 CYLINDER HEAD



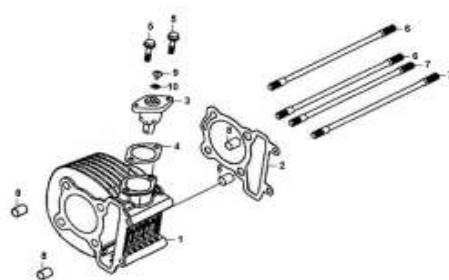
E03 CAM SHAFT&CYL. HEAD L. SIDE COVER



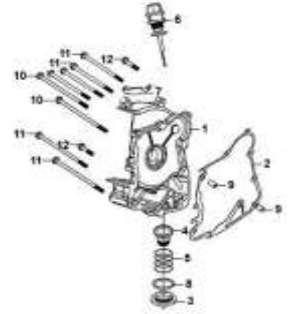
E04 R CRANK CASE&OIL PUMP ASSY



E05 CYLINDER



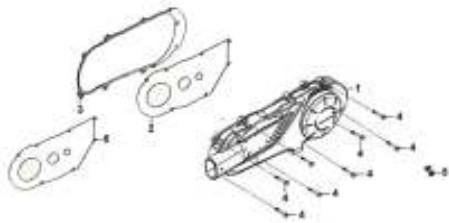
E06 R. CRANK CASE COVER



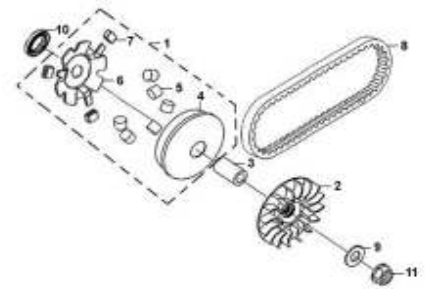
E07 AC GEN. ASSY



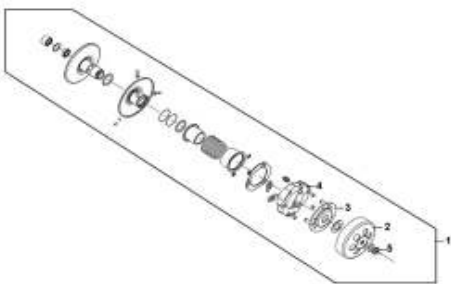
E08 L. CRANK CASE COVER



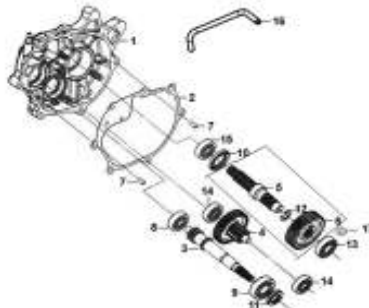
E09 MOVABLE DRIVE FACE ASS'Y



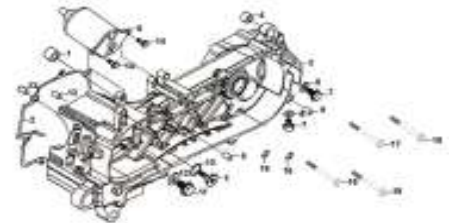
E10 DRIVEN PULLEY ASS'Y



E11 MISSION CASE&DRIVE SHAFT



E12 L. CRANK CASE



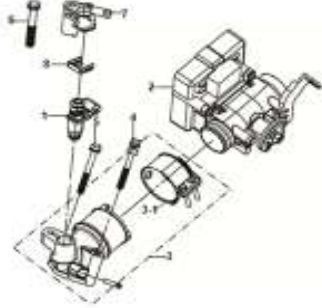
引擎部品目錄


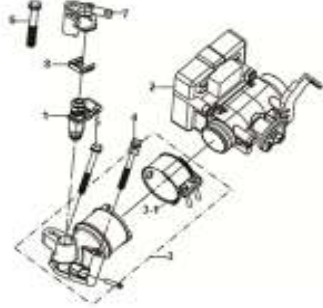
CONTENTS-ENGINE GROUP

E13 CRANK SHAFT



E14 ECU Set



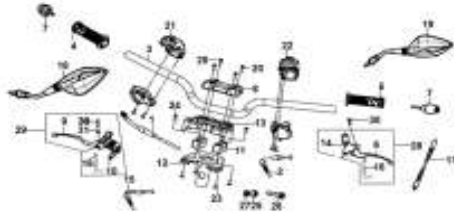
車架部品目錄

CONTENTS-FRAME GROUP

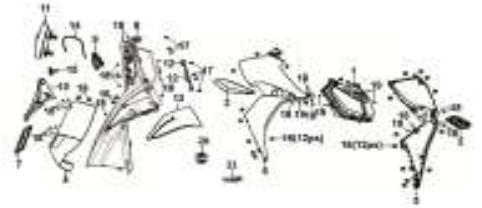
F01 Meter • Wind screen



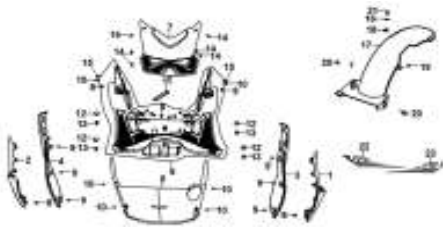
F02 Cable • Switch • Handle Lever



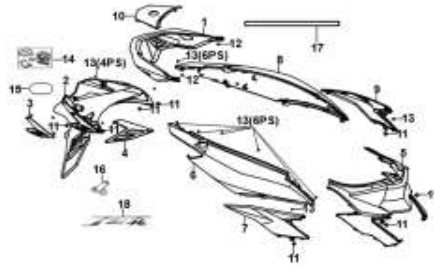
E03 CAM SHAFT&CYL. HEAD L.



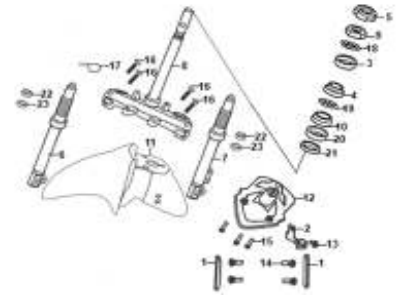
F04 Floor Panel • Center Cover



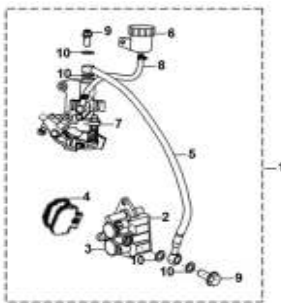
F05 Body Cover



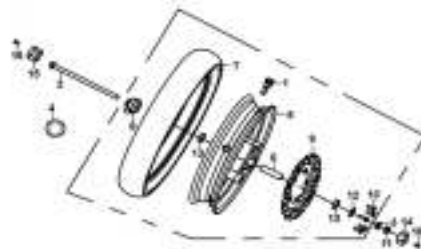
F06 Steering Stem • Front Cushion



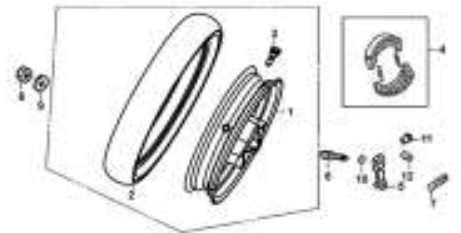
F07 Brake System ASSY



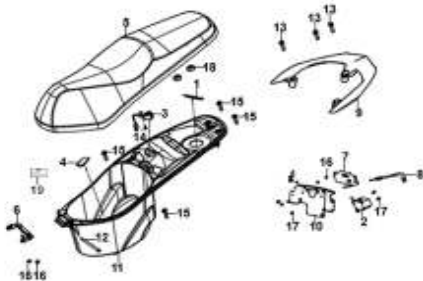
F08 Front Wheel



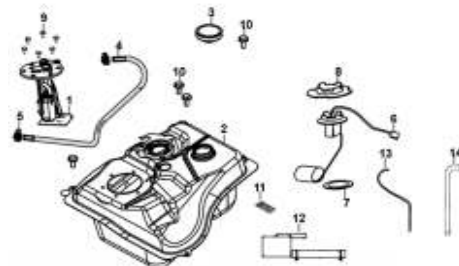
F09 Rear Wheel



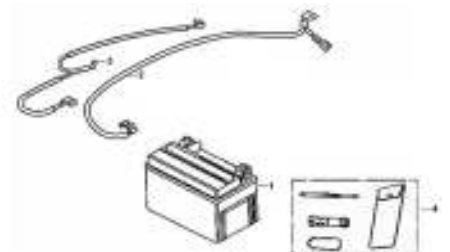
F10 Seat • Rear Grip



F11 Fuel Tank



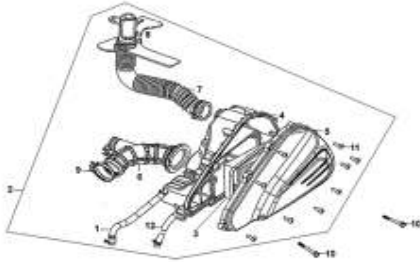
F12 Battery • Tool Box



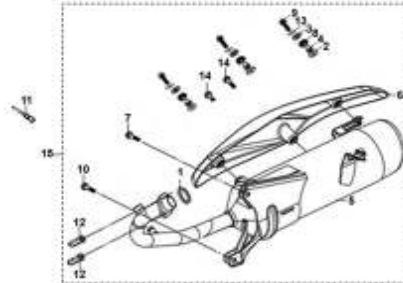
車架部品目錄

CONTENTS-FRAME GROUP

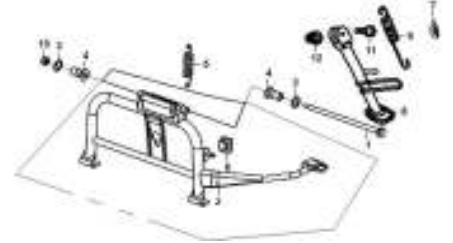
F13 Air Cleaner



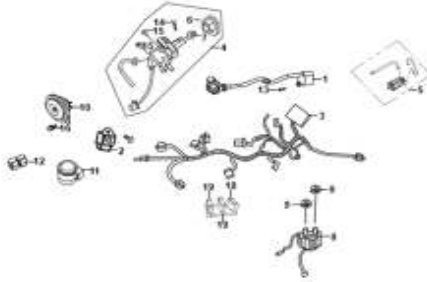
F14 Exhaust Muffler



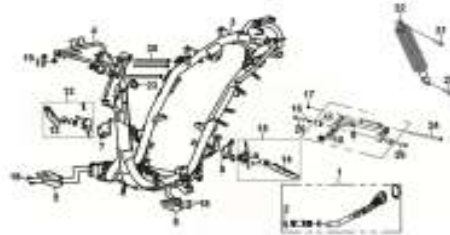
F15 Main Stand • Kick Starter Arm

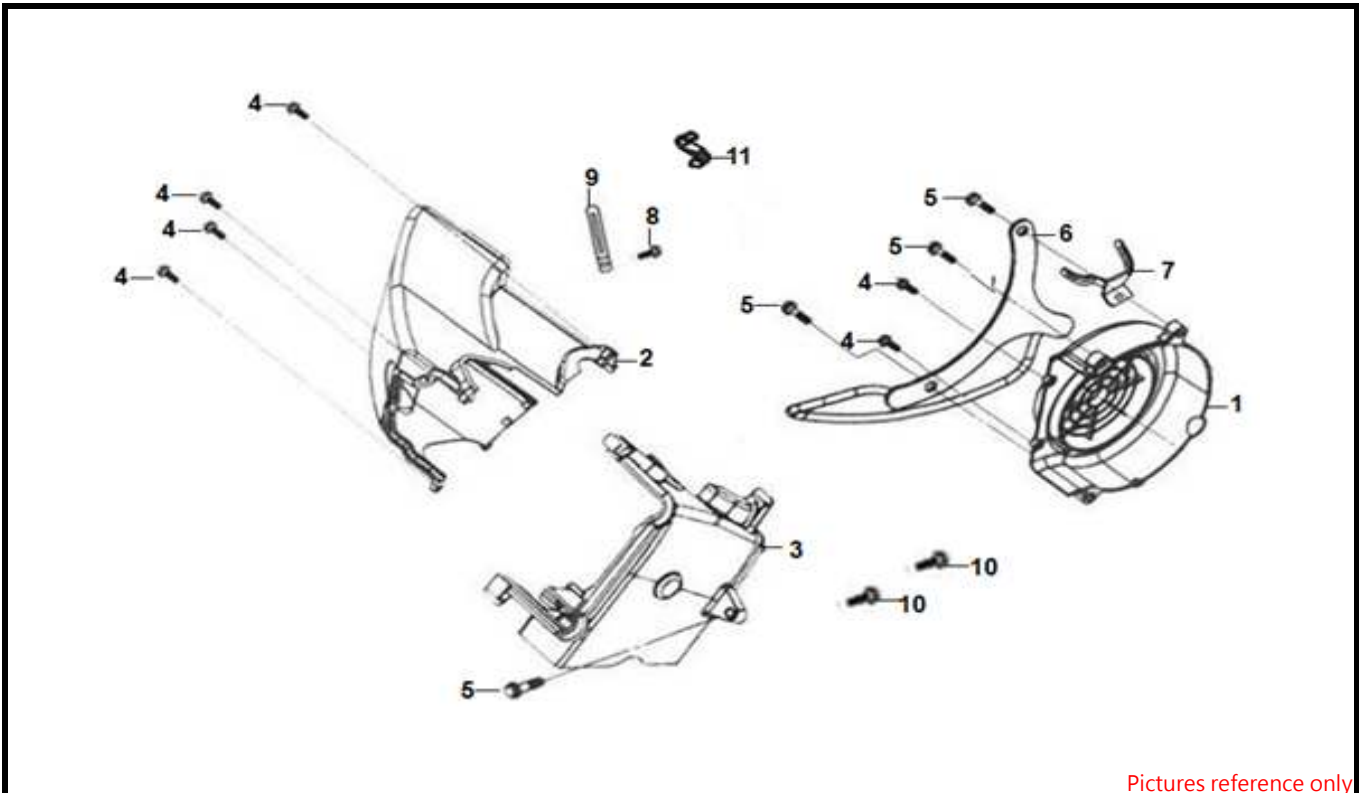


F16 Wire Harness



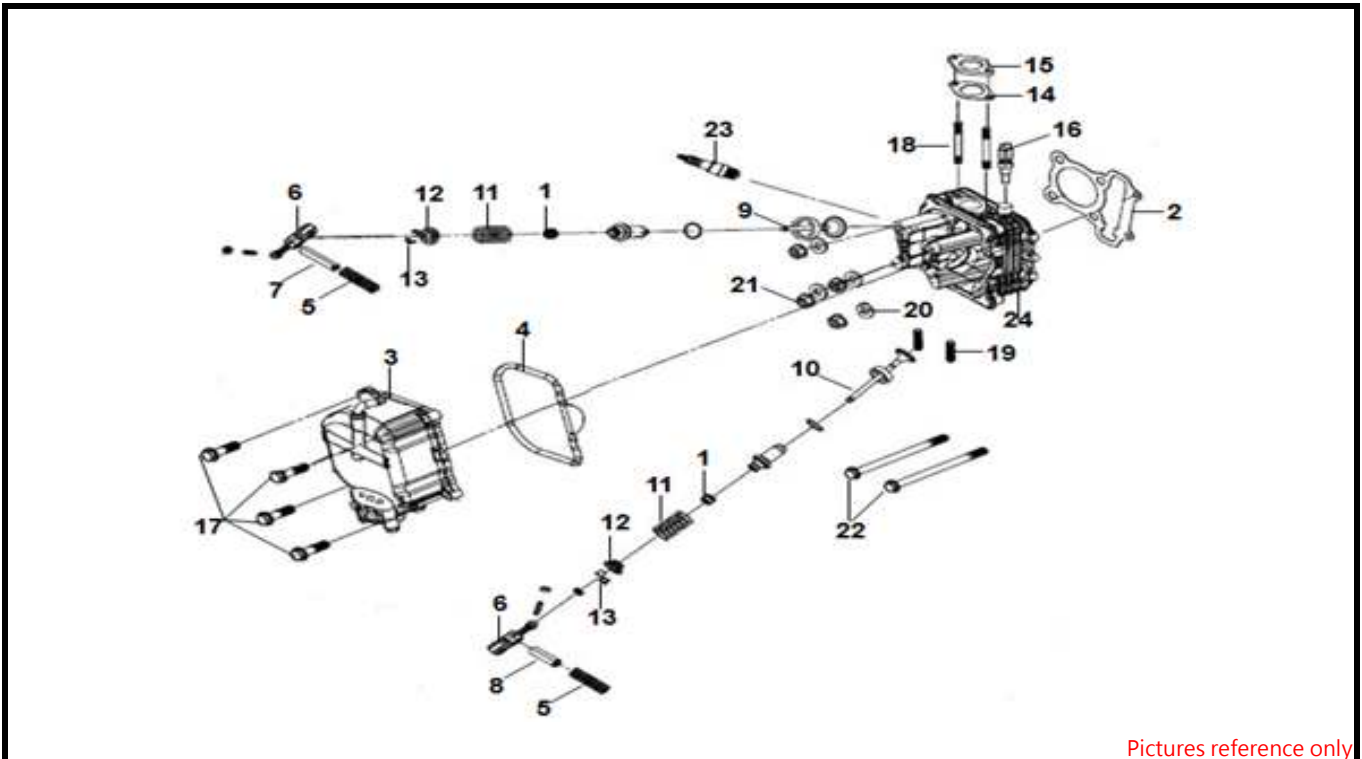
F17 Frame Body • Engine Hanger





Pictures reference only

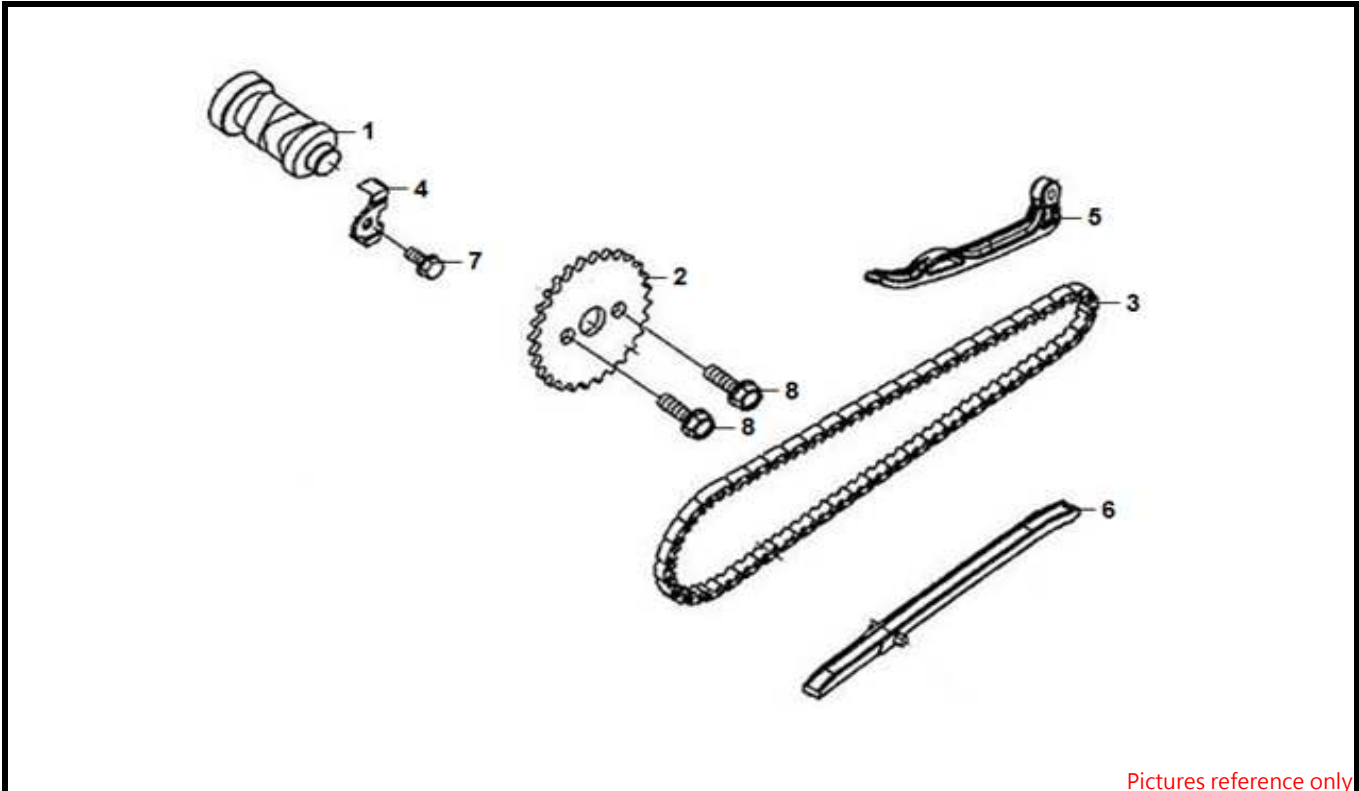
NO	PARTS NUMBER	PRICE (RM / PCS)	DESCRIPTION	QTY	EFFECTIVE DATE
01	1961A-X8A-000	16.50	Fan cover COMP.	1	
02	1962A-X8A-000	44.30	Shroud A ASSY.	1	
03	1963A-Z7P-000	24.60	Shroud B ASSY.	1	
04	93904-35340	0.50	Tapping screw 5*16	6	
05	96001-06025-08	1.20	SH. flange bolt 6*25	4	
06	18241-F6S-000	18.20	EXH. pipe protector	1	
07	19613-GY6-900	4.10	Starter motor cord clampe	1	
08	93903-34340	1.20	Tapping screw 4*12	1	
09	94591-17000	1.50	Clip 1*70	1	
10	93904-35380	0.90	Tapping screw 5*16	2	
11	11383-GY6-A00	2.80	Breather tube clamp	1	



Pictures reference only

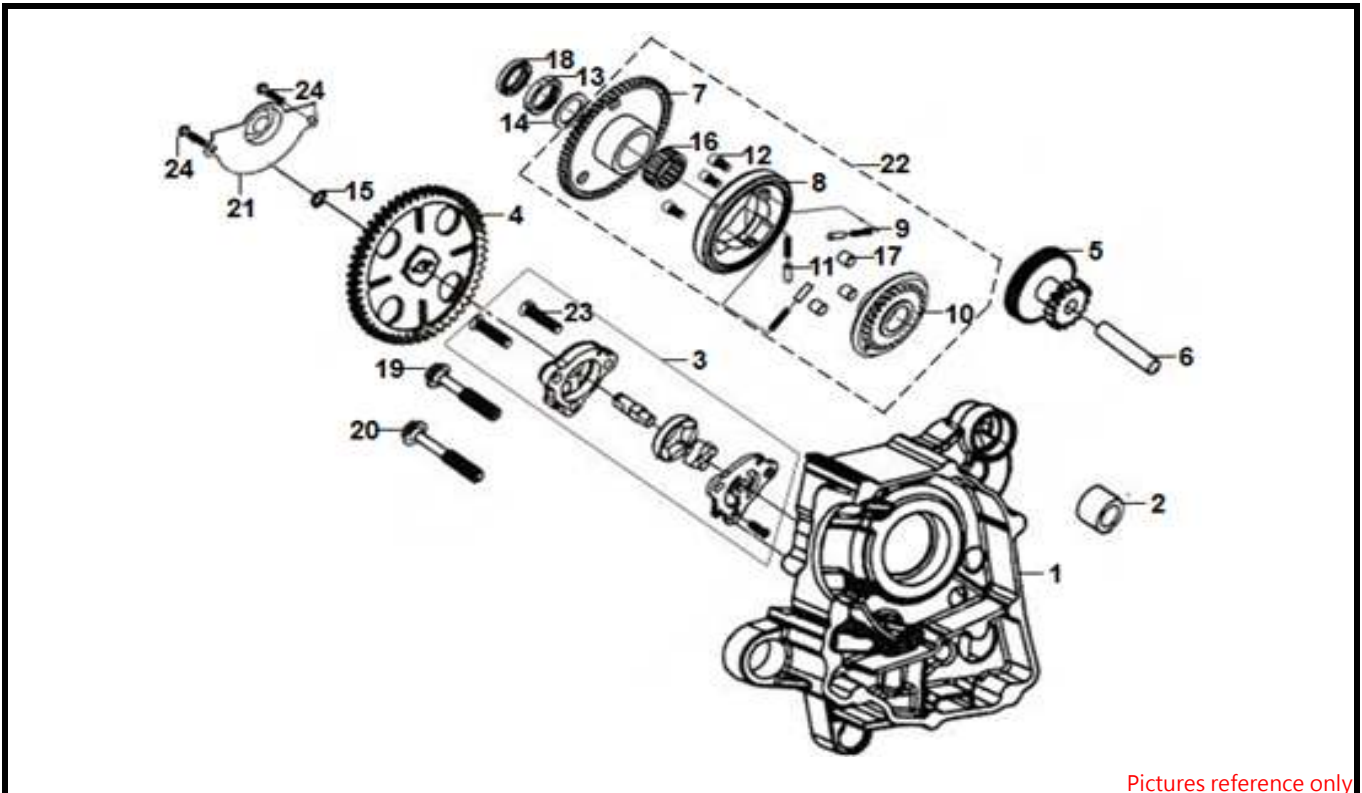
NO	PARTS NUMBER	PRICE (RM / PCS)	DESCRIPTION	QTY	EFFECTIVE DATE
01	12209-H6B-0000	7.80	Valve stem seal	2	
02	12251-H7A-000	15.10	Cylinder head gasket	1	
03	12310-A61-000	121.90	Cylinder head cover COMP	1	
3-1	12302-ANL-000	6.50	Breather separate plate	1	
3-2	12308-ARA-000	2.80	Separate plate gasket	1	
04	12391-F8A-0001	20.10	Head cover packing	1	
05	14439-F62-010	1.90	Rocker arm torsion spring	2	
06	1443A-ANL-010	58.40	Valve rocker arm ASSY.	2	
07	14451-ANL-000	13.60	IN. rocker arm shaft	1	
08	14452-ANL-000	10.50	EXH. rocker arm shaft	1	
09	14711-F8A-000	42.50	IN. valve	1	
10	14721-F8A-000	89.70	EXH. valve	1	
11	14751-ARA-000	5.90	Valve spring	2	
12	14771-F6C-A00	7.90	Retainer valve spring	2	
13	14781-A01-A00	1.20	Valve cotter	1	
14	16201-Z2D-000	1.30	CARB. insulator gasket	2	
15	16211-ANL-010	5.90	CARB. insulator	1	
16	37880-Z5C-000-M1	143.40	CYL. head TEMP. sensor	1	
17	93903-34180	1.40	Tapping screw 4*8	4	
18	90033-M92-000	1.90	STUD bolt 6*55	2	
19	90034-HMA-000	1.50	Special STUD bolt 8*40	2	
20	90442-028-000	1.40	Sealing washer 8MM	4	
21	94050-08080	0.90	Flange nut 8MM	4	
22	96001-06095-08	1.20	Flange sh bolt 6*95	2	
23	AC-1PCR7HSA-3	19.80	PLUG. spark(NGK CR7HSA)	1	
24	1220C-XGG-000	933.10	Cylinder head ASSY	1	

CAM SHAFT&CYL. HEAD L. SIDE COVER



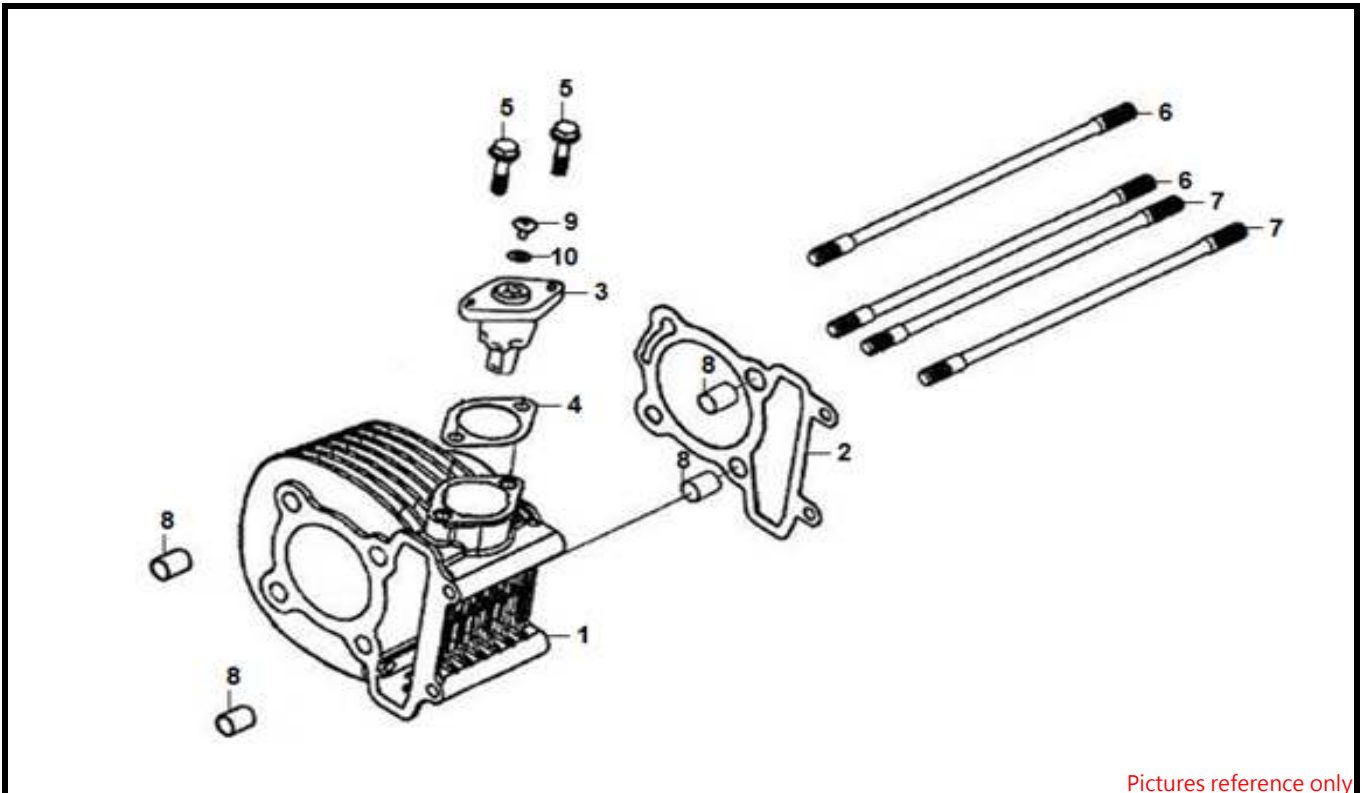
Pictures reference only

NO	PARTS NUMBER	PRICE (RM / PCS)	DESCRIPTION	QTY	EFFECTIVE DATE
01	14100-ANL-000	134.90	Cam shaft COMP.	1	
02	14105-F6A-000	18.60	Cam sprocket	1	
03	1C14401-M92-000	73.60	Cam chain	1	
04	14457-ANL-000	3.50	Cam shaft setting plate	1	
05	14510-F8A-0001-L1	29.30	Cam chain tensioner	1	
06	14610-F8A-0001-L1	12.90	Cam chain guide	1	
07	96001-06012-04	0.50	SH. flange bolt 6*12	1	
08	90083-B12-000	0.90	Knock bolt 6MM	2	



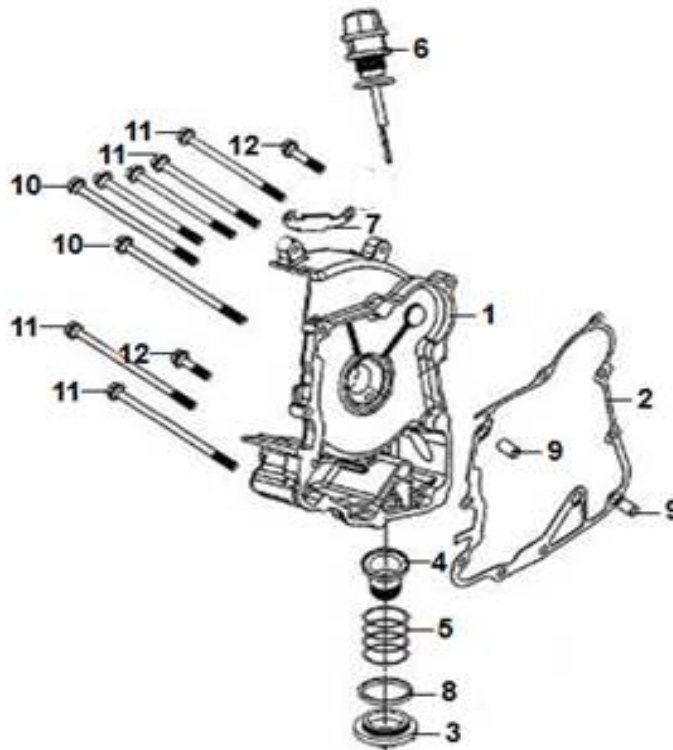
Pictures reference only

NO	PARTS NUMBER	PRICE (RM / PCS)	DESCRIPTION	QTY	EFFECTIVE DATE
01	11100-ARA-000	257.40	R. crank case COMP.	1	
02	11102-M9Q-300	7.60	ENG. hanger rubber bush	1	
03	15100-F6C-000	60.50	Oil pump ASSY.	1	
04	15133-F6C-000	13.60	Oil pump driven gear	1	
05	28101-M9Q-000	45.80	Starter reduction gear	1	
06	28102-M9Q-000	4.50	Start. red. gear shaft	1	
07	28110-M9Q-000	73.40	Start. clutch gear COMP	1	
08	28120-M9Q-000	124.40	Starting clutch outer COMP.	1	
09	28124-H6T-000	0.40	Starter clutch roller spring	3	
10	28125-M92-000	61.50	Starting clutch flange COMP.	1	
11	28126-M9Q-000	6.50	Starting roller spring cap	3	
12	90002-M9Q-000	2.80	Socket bolt 6*10	3	
13	90201-GY6-900	5.20	Lock nut 22MM	1	
14	90403-M92-000	2.20	Thrust washer 22.2*31*1.5	1	
15	90602-N01-000	0.90	C-clip 8mm	2	
16	91104-M9Q-000	22.70	Needle bearing 28*32*17	1	
17	91105-M9Q-000	3.60	Roller 10*10	3	
18	91201-M9Q-300-M1	12.00	Oil seal 19.8*30*5R	1	
19	96001-06045-08	1.10	Flange bolt 6*45	1	
20	96001-06055-08	1.40	Flange bolt 6*55	1	
21	15711-M92-000	3.60	Oil pump separator	1	
22	2812A-H6T-000-M1	237.70	Starting clutch outer ASSY.	1	
23	93600-06025-0H	0.90	Flate screw 6*25	2	
24	96001-06012-08	0.90	SH. flange bolt 6X12	2	



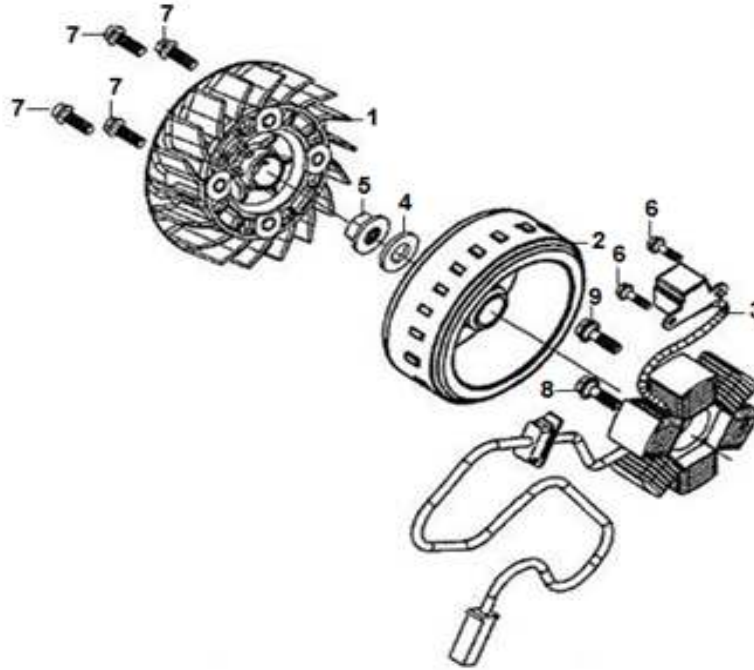
Pictures reference only

NO	PARTS NUMBER	PRICE (RM / PCS)	DESCRIPTION	QTY	EFFECTIVE DATE
01	12100-ARA-000	314.30	Cylinder	1	
02	12191-Z2D-000	10.90	Cylinder gasket	1	
03	14520-GY6-901	67.20	Tensioner lifter ASSY.	1	
04	14523-Z8G-000	0.40	Tensioner lifter gasket	1	
05	90001-M9Q-000	0.90	SH. flange bolt 6*22	2	
06	90031-107-010	8.70	Cylinder stud bolt A	2	
07	90032-A6A-000	7.60	Cylinder stud bolt B	2	
08	90703-M8Q-000	1.10	Dowel pin 10*14	4	
09	90005-KW1-900	0.60	Pan screw 6*6	1	
10	91306-GY6-A00	1.20	O-ring 1.78*9.5	1	



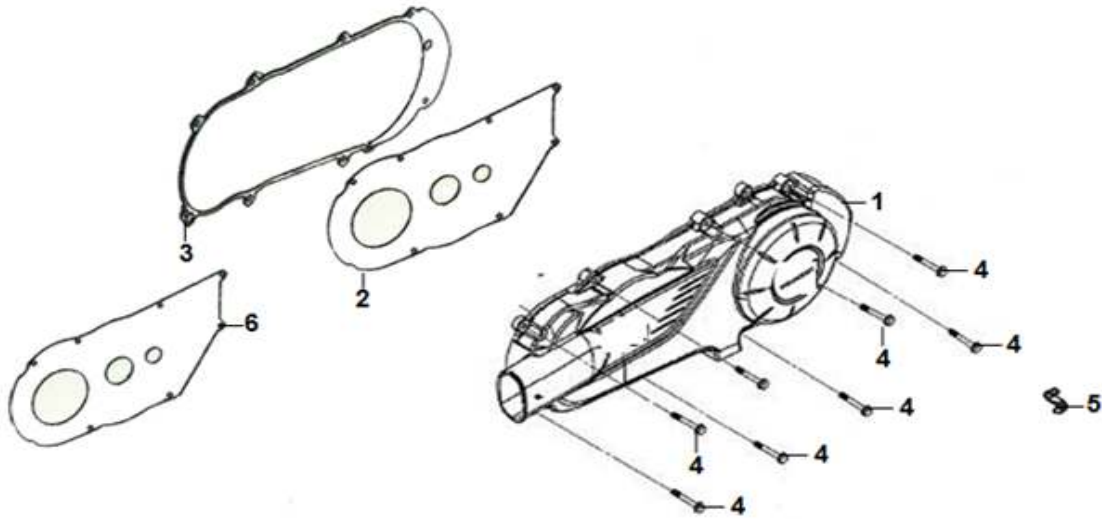
Pictures reference only

NO	PARTS NUMBER	PRICE (RM / PCS)	DESCRIPTION	QTY	EFFECTIVE DATE
01	11331-ARB-000	150.40	R. crank case cover	1	
02	11394-Z2D-000	12.20	R. cover gasket	1	
03	12361-M9Q-0000	9.40	Tappet adjusting hole cap	1	
04	15421-H66-000	11.20	Oil filter screen	1	
05	15426-M9Q-000	0.90	Oil fillter screen SPG.	1	
06	1565A-ARA-000	8.30	Oil level gauge	1	
07	32961-ARA-000	6.10	ACG cord clammer	1	
08	91302-M9T-000	1.90	O-ring 30.8MM	1	
09	94301-08140	1.20	Dowel pin 8*14	2	
10	96001-06100-08	1.40	SH flange bolt 6*100	2	
11	96001-06095-08	1.20	Flange sh bolt 6*95	6	
12	96001-06030-08	1.10	SH. flange bolt 6*30	2	



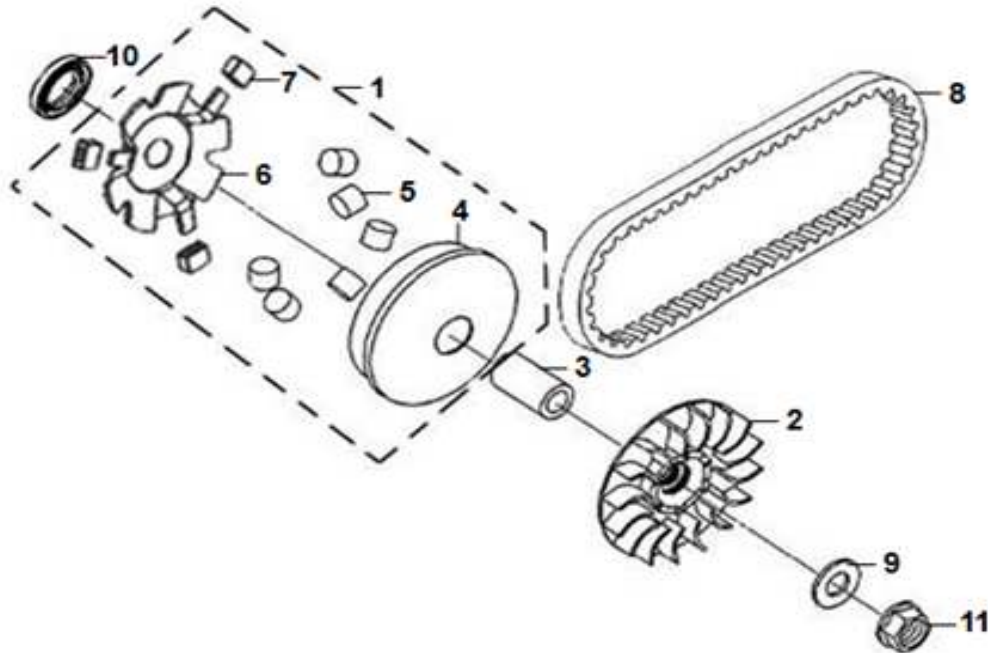
Pictures reference only

NO	PARTS NUMBER	PRICE (RM / PCS)	DESCRIPTION	QTY	EFFECTIVE DATE
01	19510-XJ1-000	18.70	Cooling fan COMP.	1	
02	31110-F6T-000	111.20	Flywheel COMP	1	
03	31120-X8A-000	228.70	Loop COMP.	1	
04	90440-166-000	1.50	Plane gasket 12MM	1	
05	94050-12000	2.70	Flange nut 12MM	1	
06	92101-05012-0A	0.90	HEX bolt 5*12mm	2	
07	96001-06018-08	0.90	Flange bolt 6*18	4	
08	96001-06028-08	0.90	SH. flange bolt 6*28	1	
09	96001-06020-00	0.80	SH. flange bolt 6*20	1	



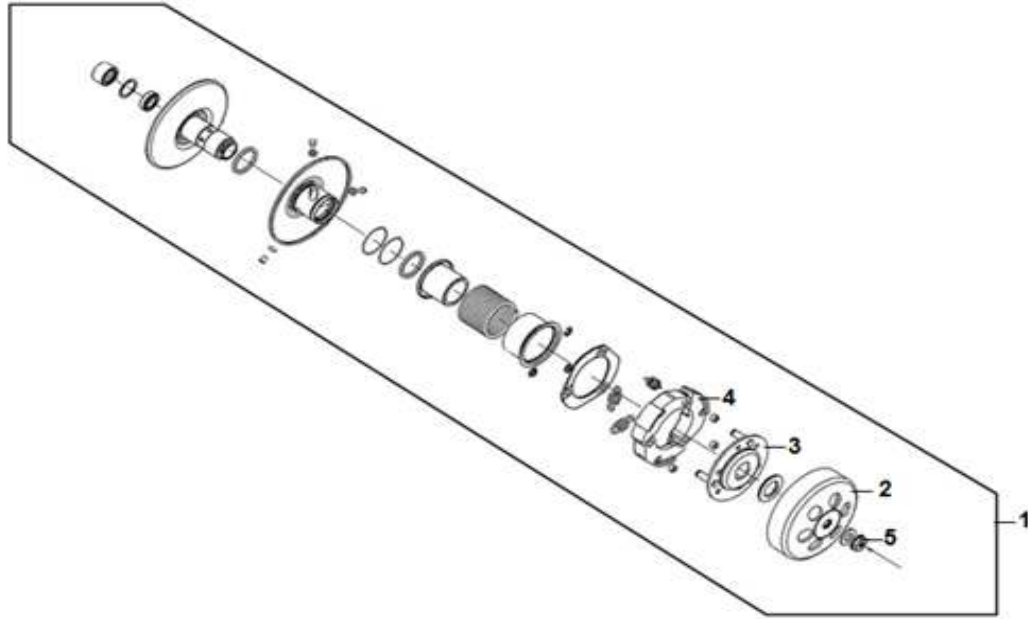
Pictures reference only

NO	PARTS NUMBER	PRICE (RM / PCS)	DESCRIPTION	QTY	EFFECTIVE DATE
01	11341-XMA-020-K1	416.70	L. crank case cover	1	
02	11342-ARA-000	14.20	L. side cover plate	1	
03	11395-XRB-000	36.80	L. side cover gasket	1	
04	96001-06030-00	1.50	Flange bolt SH 6*30	8	
05	11382-ARB-000	1.60	Brake cable clammer B	1	
06	11343-XRB-000	19.20	L. side cover plate gasket	1	



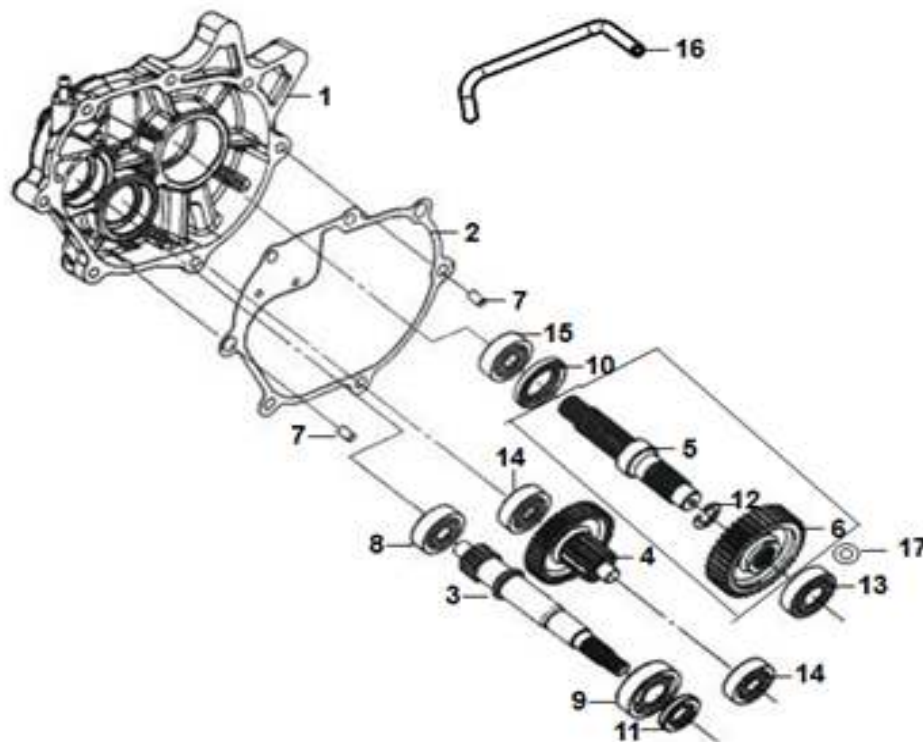
Pictures reference only

NO	PARTS NUMBER	PRICE (RM / PCS)	DESCRIPTION	QTY	EFFECTIVE DATE
01	2211A-ARA-000	75.40	Movable drive face ASSY.	1	
02	22102-M92-000	41.90	Drive face COMP.	1	
03	22105-M92-000	20.80	Drive face bush	1	
04	22110-H5B-000	52.70	Movable drive face COMP.	1	
05	22121-HKE-000-A	29.80	Weight roller COMP.	1	
06	22131-M92-000	20.80	Ramp plate	1	
07	22132-ARA-000-A	5.60	Slide piece	1	
08	1B01A6101	183.40	Drive belt	1	
09	90440-166-000	1.50	Plane washer 12MM	1	
10	91204-HMA-000	10.60	Oil seal 25*40*7	1	
11	94050-12000	2.70	Flange nut 12MM	1	



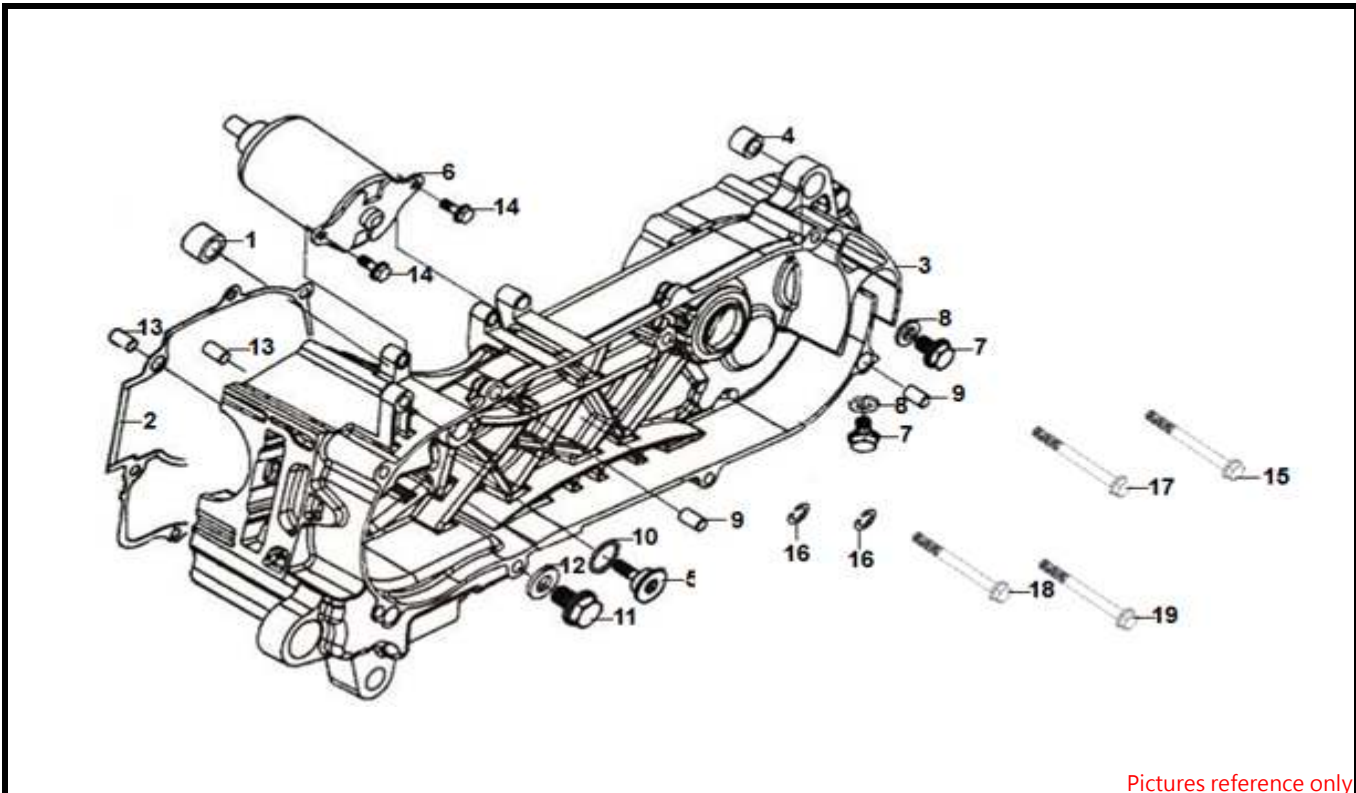
Pictures reference only

NO	PARTS NUMBER	PRICE (RM / PCS)	DESCRIPTION	QTY	EFFECTIVE DATE
01	2301A-ANT-000	519.60	Driven pulley set	1	
02	22101-F6C-000	97.70	Clutch outer	1	
03	22350-ANL-000	1.30	Drive plate COMP.	1	
04	22530-ANT-000	58.50	Clutch weight	1	
05	94050-12000	2.70	Flange nut 12MM	1	



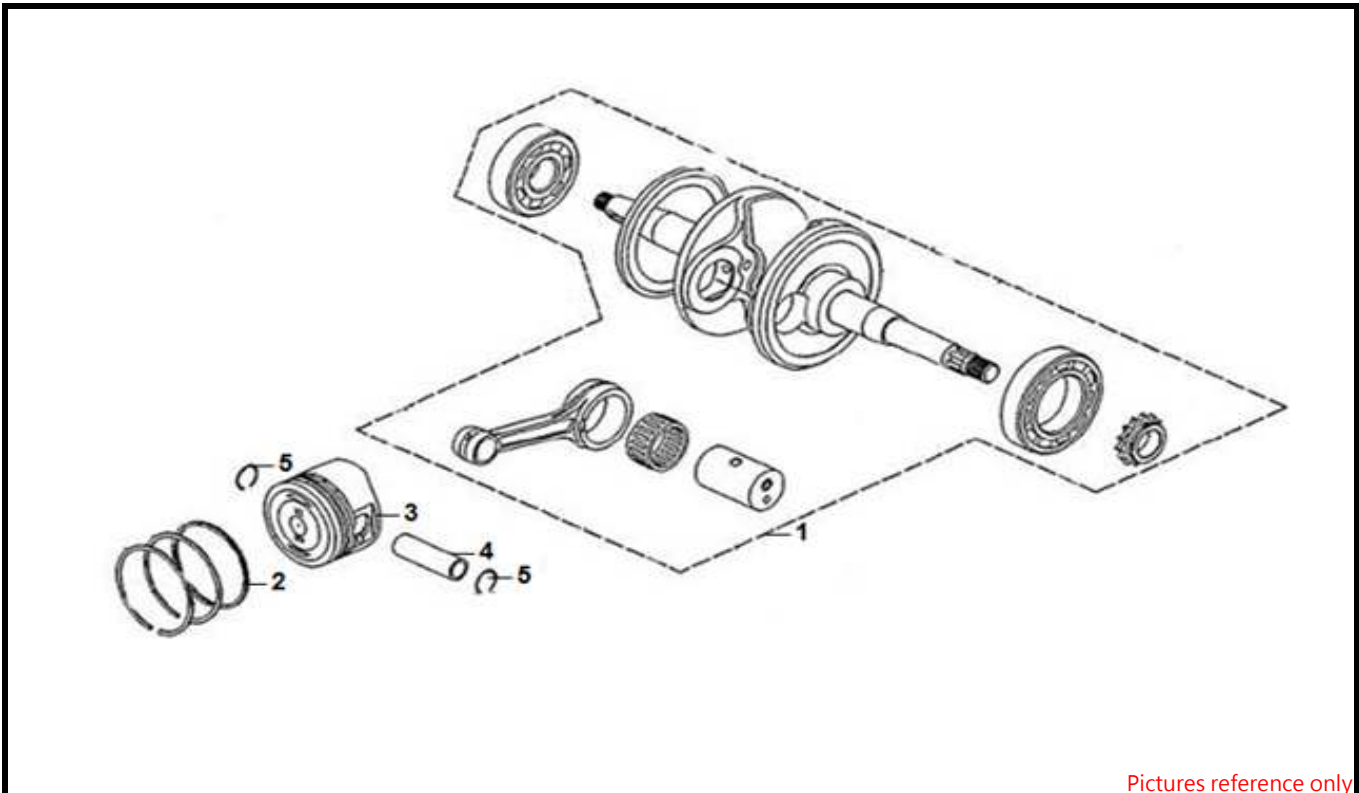
Pictures reference only

NO	PARTS NUMBER	PRICE (RM / PCS)	DESCRIPTION	QTY	EFFECTIVE DATE
01	21200-ANM-000	204.30	Mission case COMP.	1	
02	21395-Z2D-000	13.00	Mission cover gasket	1	
03	23411-ARA-000	111.10	Drive shaft	1	
04	23420-Z7C-010	118.50	Counter shaft COMP.	1	
05	23431-ANL-000	115.80	Final shaft	1	
06	23432-AR1-000	129.20	Final gear	1	
07	90703-M8Q-000	1.10	Dowel pin 10*14	2	
08	91003-M8Q-000	37.80	Radial ball BRG. CSB301	1	
09	91104-KN7-670	60.30	Radial ball BRG. CSB204	1	
10	91203-A6A-000	6.70	Oil seal 34*52*8	1	
11	91202-KJ9-003	3.10	Oil seal 20*32*6	1	
12	94510-25000	1.50	EX. cir-clip 25MM	1	
13	96100-62030-00	10.70	Radial ball BRG. 6203	1	
14	96100-63013-00	13.50	Radial ball BRG 6301	2	
15	96150-62050-10	30.30	Ball radial bearing 6205	1	
16	11221-ARA-000	5.90	Mission breather tube	1	
17	90401-ANL-000	3.10	Washer 17*30*1	1	



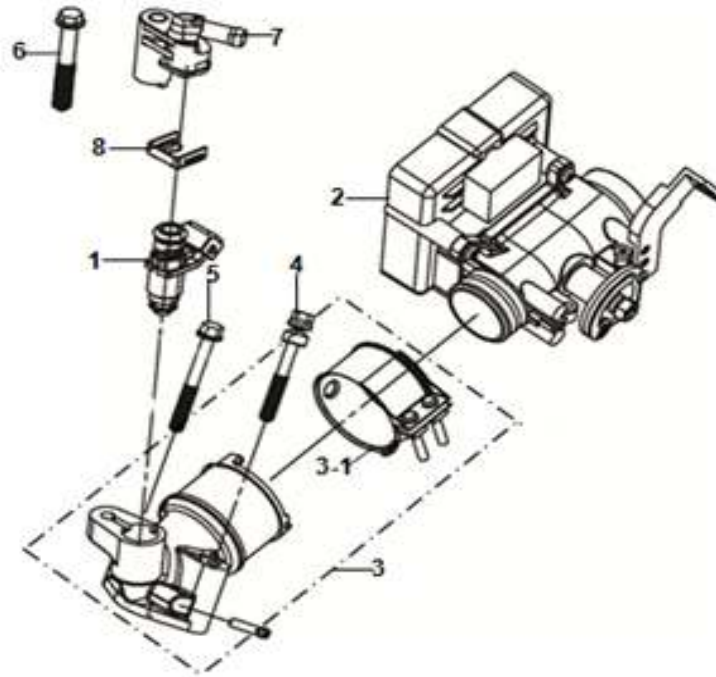
Pictures reference only

NO	PARTS NUMBER	PRICE (RM / PCS)	DESCRIPTION	QTY	EFFECTIVE DATE
01	11102-M9Q-300	7.60	ENG. hanger rubber bush	1	
02	11192-XRB-000	15.00	R. crank case gasket	1	
03	11200-ARA-000	682.40	L. crank case COMP.	1	
04	11203-M9Q-300	3.70	RR. CUSH. UN. rubber bush	1	
05	14531-M9Q-000	6.10	Cam chain tensioner pivot	1	
06	31200-ARA-000	152.40	Start motor ASSY.	1	
07	90103-KN8-000	1.20	Special bolt 8MM	2	
08	90474-333-000	5.50	Washer 8MM	2	
09	90703-M8Q-000	1.10	Dowel pin 10*14	2	
10	91301-GR0-003	1.20	O-ring 15.2*1.5	1	
11	92800-12000	3.00	Drain plug bolt 12MM	1	
12	94109-12000	1.10	Plug drain bolt washer 12mm	1	
13	94301-08140	1.20	Dowel pin 8*14	4	
14	96001-06016-08	1.20	SH. flange bolt 6*16	2	
15	95701-08068-00	2.10	Flange bolt 8*68	1	
16	94591-28000	1.80	Clip 2*80	2	
17	95701-08055-00	1.10	Flange bolt 8*55	2	
18	95701-08060-00	1.90	SH. flange bolt 8*60	1	
19	95701-08065-00	2.10	Flange bolt 8*65	3	



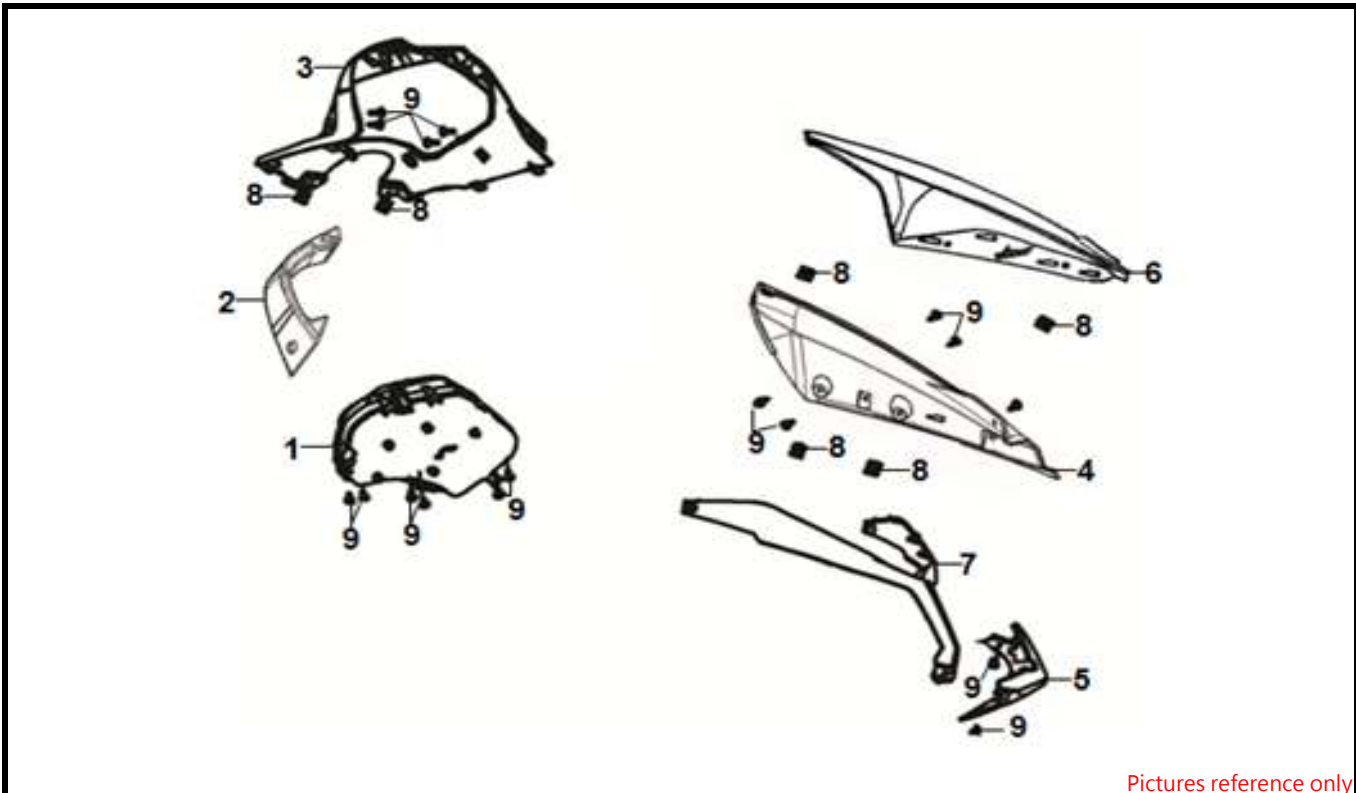
Pictures reference only

NO	PARTS NUMBER	PRICE (RM / PCS)	DESCRIPTION	QTY	EFFECTIVE DATE
01	13000-ANL-000	597.80	Crank shaft COMP	1	
02	13010-U3A-000	52.10	Piston ring set	1	
03	13101-ANL-000	69.40	Piston	1	
04	13111-ARA-000	7.70	Piston pin	1	
05	94601-15000-00	0.40	Piston pin clip	2	



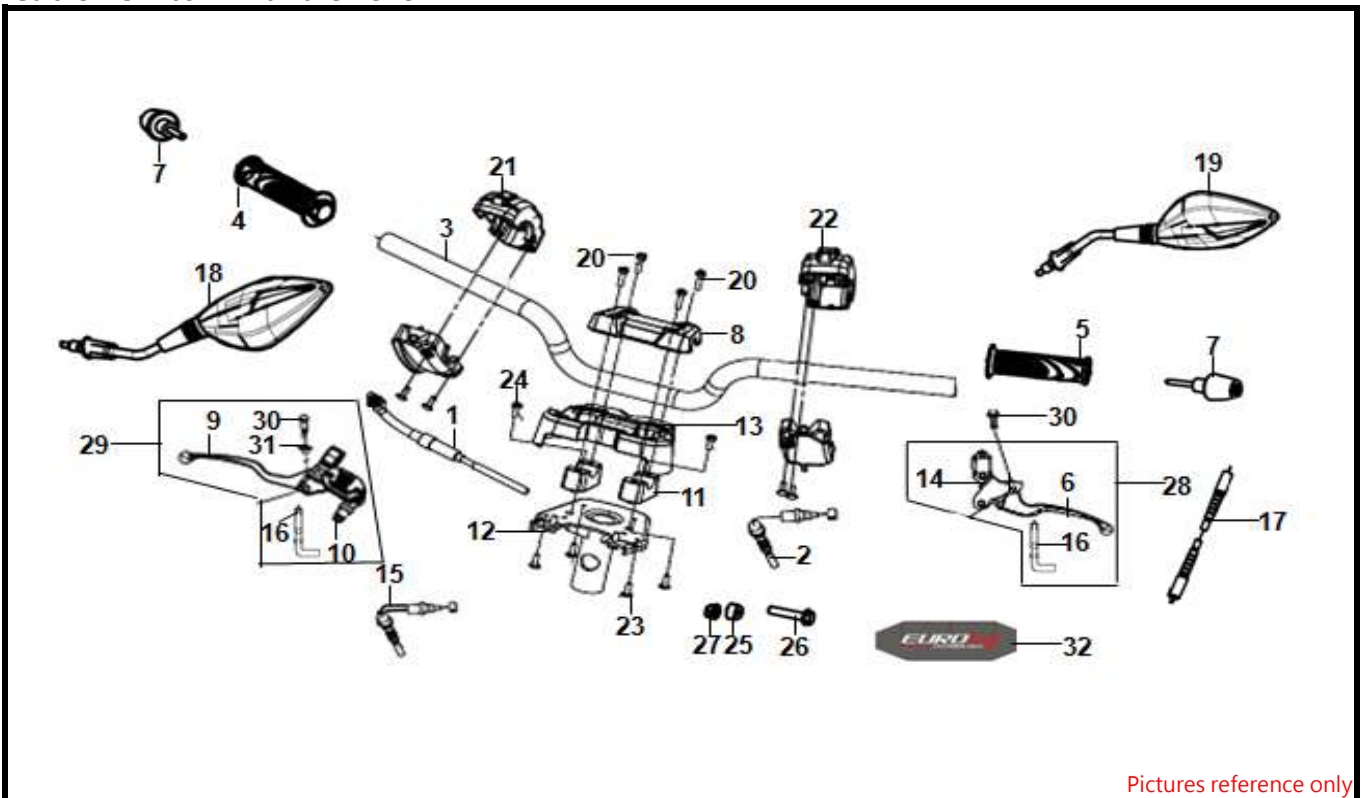
Pictures reference only

NO	PARTS NUMBER	PRICE (RM / PCS)	DESCRIPTION	QTY	EFFECTIVE DATE
01	06414-HKK-000	291.60	Fuel injector	1	
02	1640A-XRB-010	1469.70	ECU set	1	
03	1711A-Z7P-000	129.50	Inlet pipe ASSY.	1	
3-1	17256-MA1-000	19.20	Insulator band	1	
04	90085-HHA-900	2.10	Self locking bolt 6*50	1	
05	96001-06050-02	1.90	SH. flange bolt 6*50	1	
06	96001-06045-00	1.20	SH. flange bolt 6*45	1	
07	17120-XJA-000	7.60	Fuel injector cap ASSY.	1	
08	17121-H6Y-000	2.70	Fuel injector cap clip	1	



Pictures reference only

NO	PARTS NUMBER	PRICE (RM / PCS)	DESCRIPTION	QTY	EFFECTIVE DATE
01	37200-X8A-010	486.20	Speedmeter ASSY	1	
02	53206-X8A-000	61.90	Handle down cover B	1	
03	53208-X9B-000	30.10	Meter panel	1	
04	53209-X9B-000	24.20	Meter visor	1	
05	64303-X8A-000	4.50	Head light low cover	1	
06	67100-X8A-000	105.60	Wind screen	1	
07	67110-X8A-000-AE	74.00	Wind screen garnish	1	
08	90302-SA4-900	0.60	Spring nut 4mm	6	
09	93903-35240	0.60	Tapping screw 5*12	21	



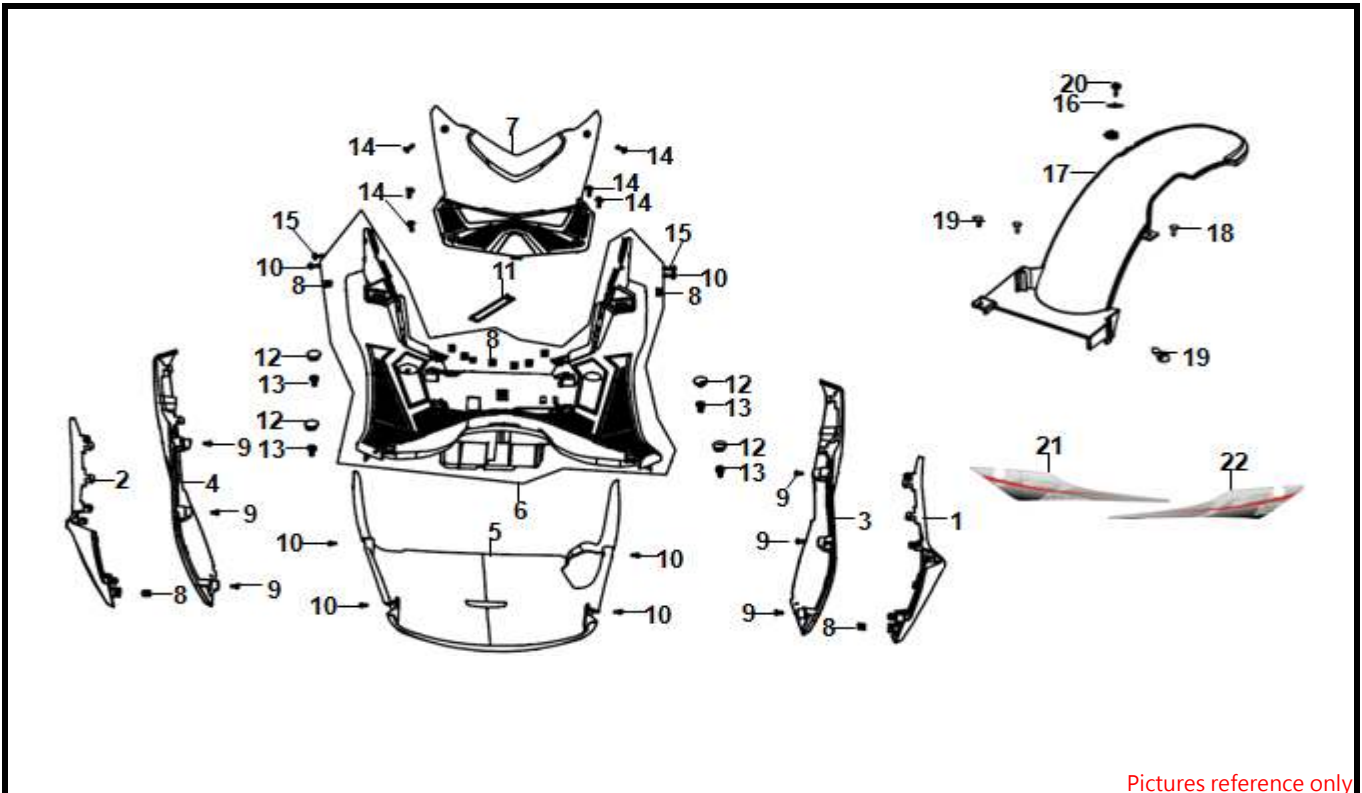
Pictures reference only

NO	PARTS NUMBER	PRICE (RM / PCS)	DESCRIPTION	QTY	EFFECTIVE DATE
01	17910-X8A-000	37.30	Throt cable COMP	1	
02	43450-X8A-000	54.60	RR. brake cable COMP	1	
03	53100-X8A-000	81.80	STRG. handle	1	
04	53140-XPA-0001-VN	13.15	RH. HNDL. grip	1	
05	53166-XPA-0001-VN	8.30	LH. HNDL. grip	1	
06	53178-ATA-000	21.20	L. STRG. handle lever	1	
07	53104-AWR-000	46.30	Handle pipe WT.	2	
08	53131-AWU-000-KH	63.50	HNDL. pipe up. holder	1	
09	53175-ANT-000	18.80	R. strg. handle lever	1	
10	53182-X8A-000	30.10	R. HNDL. BRKT.	1	
11	53132-AWU-000	34.70	Handle pipe down hodler	2	
12	53231-X8A-000	76.70	Handle pipe holder COMP	1	
13	53205-X8A-000	76.60	handle down cover	1	
14	53192-X8A-000	30.10	L. HNDL. BRKT.	1	
15	45450-X8A-000	20.50	FR. brake cable	1	
16	35340-M92-900	9.30	Stop SW. ASSY	2	
17	44830-X8A-000	23.70	Speedometer cable COMP	1	
18	88110-XPA-000-K	60.50	R. RR. back mirror	1	
19	88120-XPA-000-K	60.50	L. back mirror	4	
20	96700-06025-49	5.60	Socket bolt 6*25	1	
21	35150-X8A-000	70.30	R. handle SW.	1	
22	35200-X8A-000	100.40	L. handle SW. UNIT	4	
23	93903-45340	0.90	Tapping screw 5*16	2	
24	96700-08020-02	1.60	Socket bolt 8*20	1	
25	53125-CT1C-A00	9.60	HNDL. set collar	1	

26	90106-AAA-000	3.60	FR. disk bolt	1
27	90304-AAA-000	2.20	Flange. u nut 10mm	1
28	5318A-X8A-000	68.40	L .STRG.handle lever ASSY	1
29	5319A-X8A-000	68.40	R.STRG.handle lever ASSY	1
30	90115-AWU-000	5.60	Screw handle lever pivot	1
31	53181-ANT-000	1.50	R. brake lever return spring	1
32	87170-X8B-000	1.30	Handle holder emblem	1

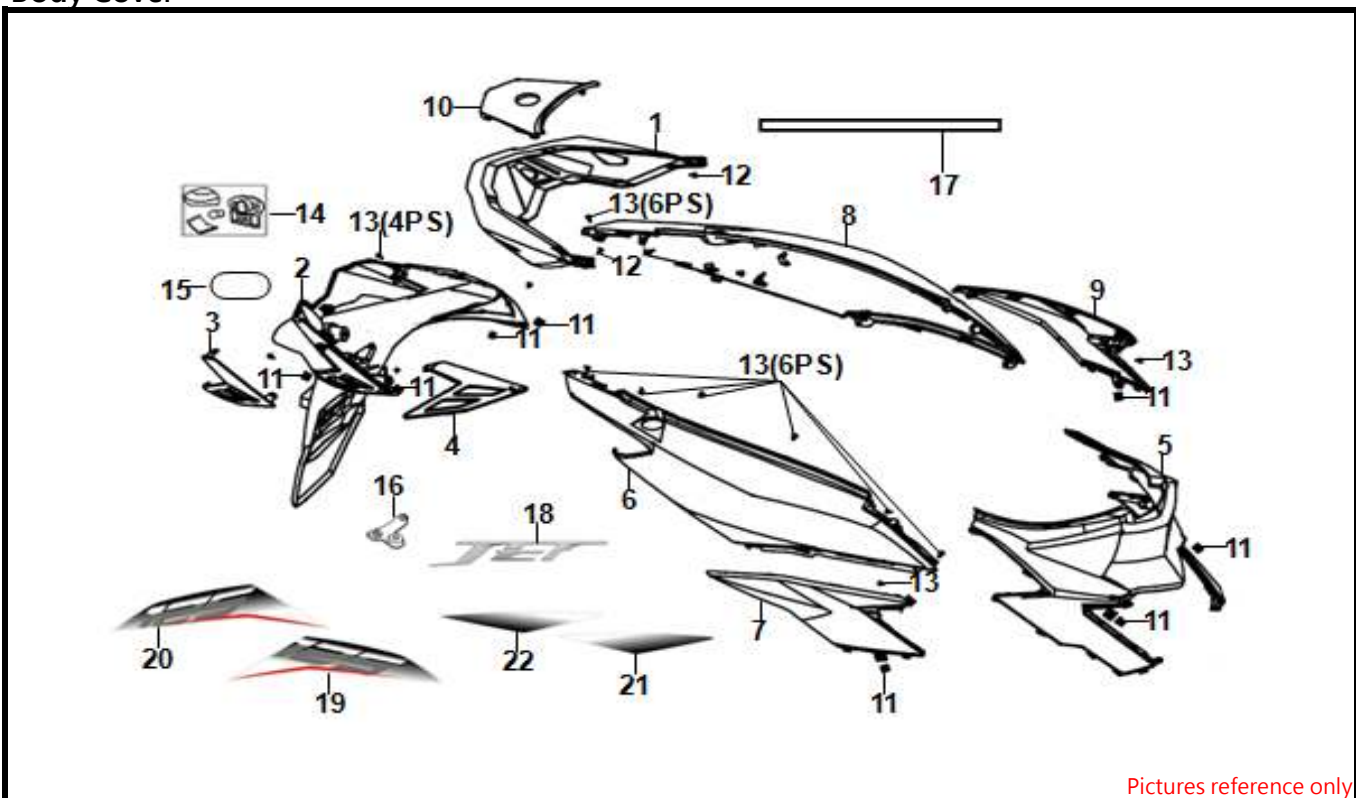
●Please check the color & stripe information according to the color index !

Mar-18



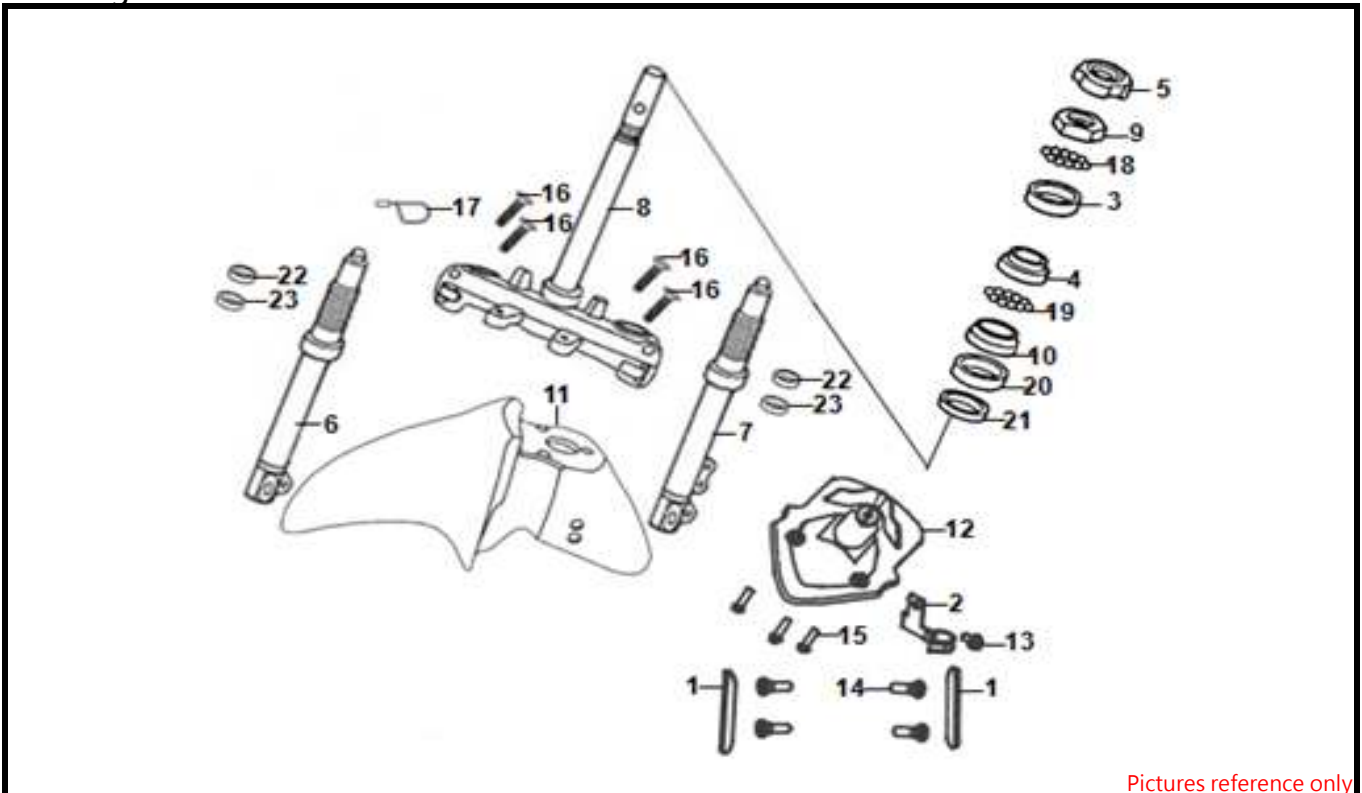
Pictures reference only

NO	PARTS NUMBER	PRICE (RM / PCS)	DESCRIPTION	QTY	EFFECTIVE DATE
01	83520-X8A-000	15.00	RH. FR. side cover	1	
02	83620-X8A-000	15.00	LH. FR. side cover	1	
03	83530-X8A-000-AE	90.10	RH. RR. side cover	1	
04	83630-X8A-000-AE	90.10	LH. RR. side cover	1	
05	50611-APA-000	72.80	Under cover	1	
06	64310-X8A-000	120.20	Floor panel	1	
07	50326-X8A-000	25.00	Battery cover	1	
08	90302-SA4-900	0.60	Spring nut 4mm	11	
09	93903-35240	0.60	Tapping screw 5*12	6	
10	93404-06016-00	0.90	Washer bolt 6*16	6	
11	50324-X8A-000	14.40	Battery band	1	
12	50612-APA-000	3.50	FLOOR STEP CAP A	4	
13	90111-AAA-000	1.90	Flange bolt 6mm (GREEN)	4	
14	93903-45240	2.20	Tapping screw 5*12	6	
15	90118-B9A-000	3.00	Washer screw 5x14	2	
16	64306-X01-000	1.20	Collar	1	
17	80105-X8A-000	32.80	RR. mudguard	1	
19	95701-06012-04	0.50	Flange bolt 6*12	4	
20	95801-06022-04	1.90	Flange bolt 6*22	1	
21	87131-X8B-000-T1	10.90	R. side cover stripe(RED)	1	
21	87131-X8B-000-T2	10.90	R. side cover stripe(BULE)	1	
21	87131-X8B-000-T3	10.90	R. side cover stripe(GRAY)	1	
22	87132-X8B-000-T1	10.90	L. side cover stripe(RED)	1	
22	87132-X8B-000-T2	10.90	L. side cover stripe(BULE)	1	
22	87132-X8B-000-T3	10.90	L. side cover stripe(GRAY)	1	



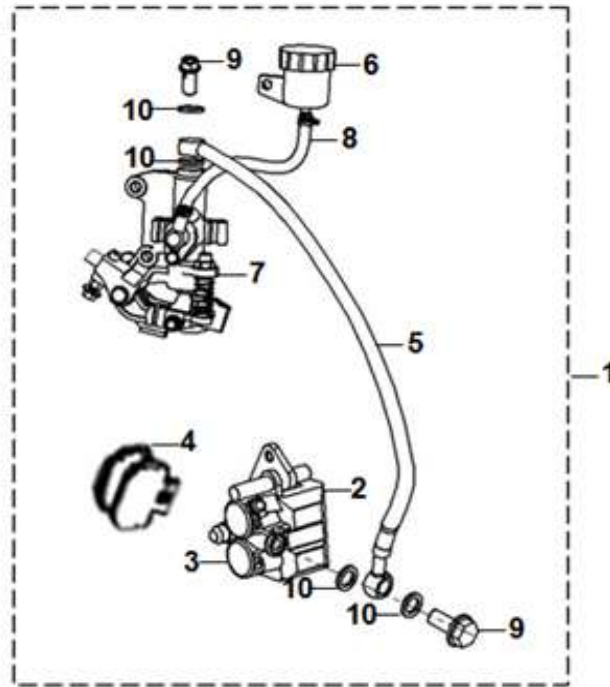
Pictures reference only

NO	PARTS NUMBER	PRICE (RM / PCS)	DESCRIPTION	QTY	EFFECTIVE DATE
01	33700-X8A-000	465.80	Tail light ASSY	1	
01-1	33701-X8A-000	73.80	Tail light lens	1	
02	80100-X8A-000	65.90	RR. fender	1	
03	80107-X8A-000	49.60	RH. RR. fender garnish	1	
04	80108-X8A-000	49.60	LH. RR. fender garnish	1	
05	80151-X8A-000	46.50	Center cover	1	
06	83500-X8A-000-RD	212.10	R BODY COVER(R-010CA)	1	
06	83500-X8A-000-BP	212.10	R BODY COVER(BU-289S)	1	
06	83500-X8A-000-WA	212.10	R BODY COVER(WH-006)	1	
07	83510-X8A-000-AE	98.60	R. Body lower cover	1	
08	83600-X8A-000-RD	212.10	L BODY COVER(R-010CA)	1	
08	83600-X8A-000-BP	212.10	L BODY COVER(BU-289S)	1	
08	83600-X8A-000-WA	212.10	L BODY COVER(WH-006)	1	
09	83610-X8A-000-AE	98.60	L. Body lower cover	1	
10	83650-X8A-000-RD	79.70	RR center cover(R-010CA)	1	
10	83650-X8A-000-BP	79.70	RR center cover(BU-289S)	1	
10	83650-X8A-000-WA	79.70	RR center cover(WH-006)	1	
11	90302-SA4-900	0.60	Spring nut 4mm	8	
12	93903-34340	1.20	Tapping screw 4*12	2	
13	93903-35240	0.60	Tapping screw 5*12	18	
14	33740-Z6A-000	22.30	License light	1	
15	33741-N7B-E10	7.00	RR. reflector	1	
16	80106-ARA-000	8.40	RR. Mudguard plate	1	
17	80103-ARA-000	1.00	Body cover rubber	1	
18	87128-X8B-000	28.70	Body cover emblem	2	



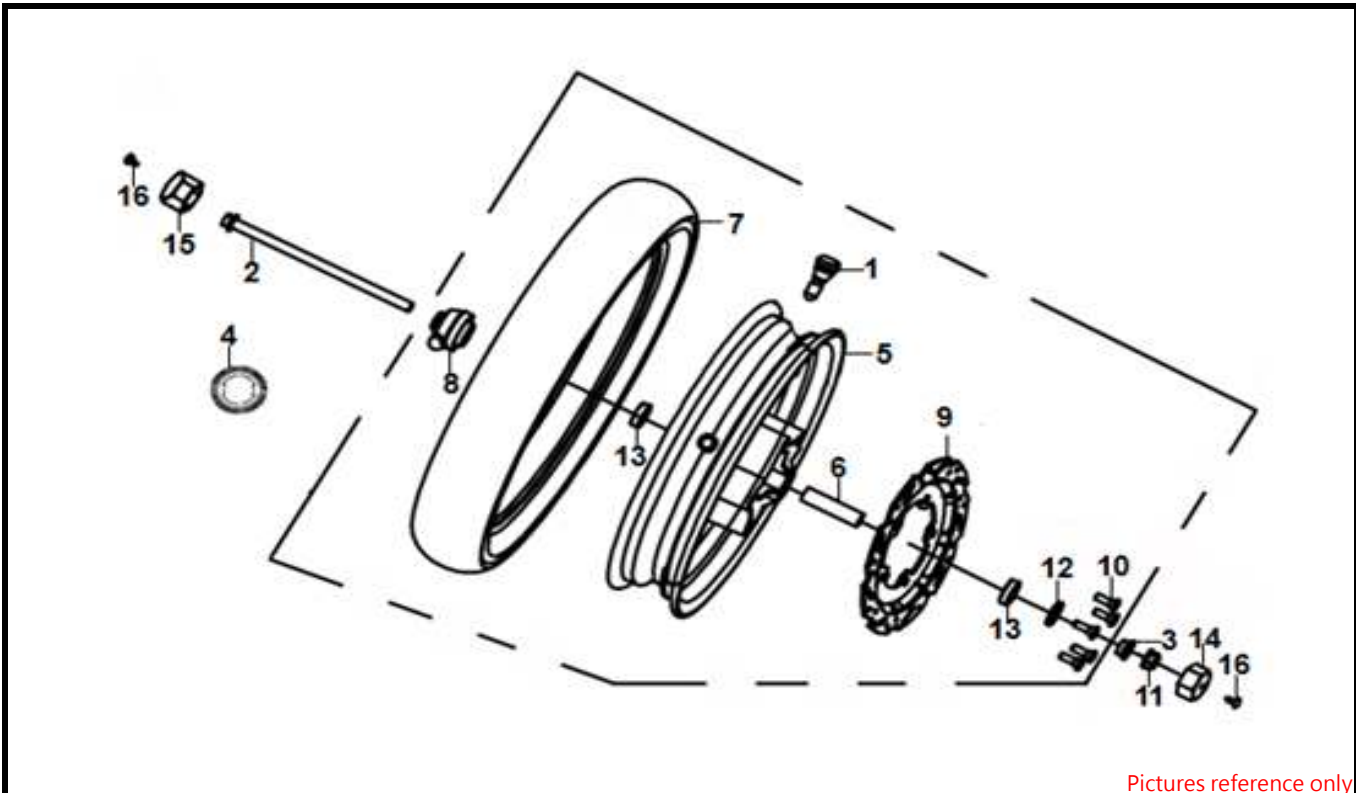
Pictures reference only

NO	PARTS NUMBER	PRICE (RM / PCS)	DESCRIPTION	QTY	EFFECTIVE DATE
01	33742-X8A-000	7.10	Side reflector	2	
02	45156-AAA-000	5.90	FR brake hose clamp	1	
03	50301-M9Q-000	10.70	STRG. up race ball	1	
04	50302-M9Q-000	10.70	Ball race	1	
05	50306-M9Q-000	5.80	STRG. stem lock nut	1	
06	51400-X8A-000-K	295.00	FR. RH. cushion ASSY	1	
07	51500-X8A-000-K	295.00	FR. LH. cushion ASSY	1	
08	53200-X8A-000	231.00	Steering stem COMP	1	
09	53211-M9Q-0000	6.90	STRG. top cone race	1	
10	53212-M9Q-000	12.70	Race cone	1	
11	61100-X8A-000-K	186.00	FR. fender	1	
12	61110-X8A-000	9.10	FR. inner mudguard	1	
13	90115-ATA-000	2.00	Flange bolt 6*16	1	
14	90164-AAA-000	2.80	Special screw 6mm (GREEN)	4	
15	95801-06014-07	0.60	Flange bolt 6X14	3	
16	95801-08040-00	1.60	Flange bolt 8X40	4	
17	45465-ZDA-000	4.00	Cable guide	1	
18	50303-AAA-000	18.00	Up steel balls and retainer ASSY	1	
19	50304-AAA-000	18.00	Lower steel balls and retainer ASSY	1	
20	53214-M9Q-0000	1.10	STRG. head dust seal	1	
21	53215-M9Q-0000	1.10	STRG. head dust seal washer	1	
22	51403-APA-000	18.70	Oil seal	2	
23	51404-APA-000	9.20	Dust seal	2	



Pictures reference only

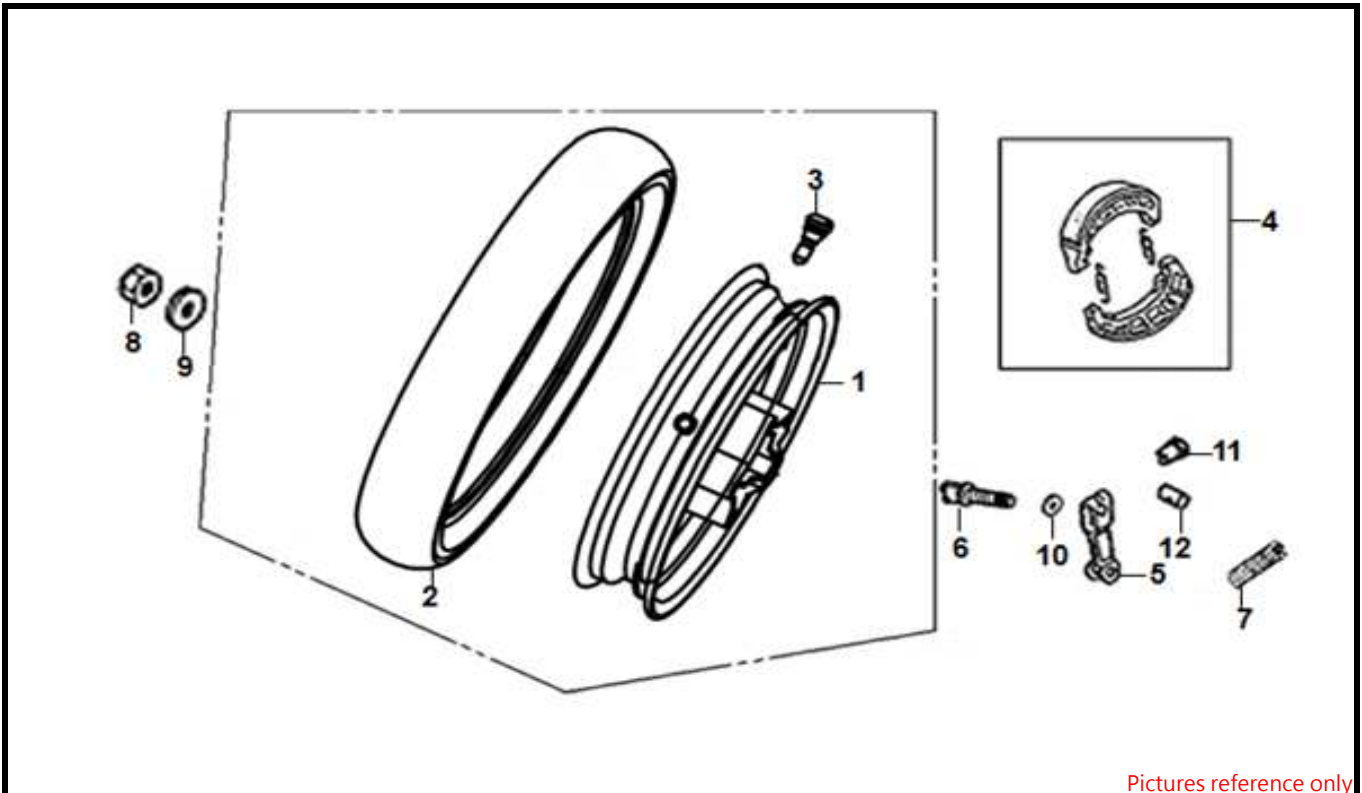
NO	PARTS NUMBER	PRICE (RM / PCS)	DESCRIPTION	QTY	EFFECTIVE DATE
01	4500A-X8A-000	680.50	Brake system ASSY	1	
02	45100-XMC-000-K	305.60	FR. caliper ASSY	1	
03	45101-XMC-000	35.60	FR. caliper BRACKET	1	
04	45105-APA-000-A	18.30	Pad COMP	1	
05	45126-X8A-000	119.50	FR brake hose ASSY	1	
06	45513-ANT-000	17.40	Oil cup	1	
07	46300-ANT-000	464.80	CBS control valve ASSY	1	
08	46516-ANT-000	119.80	Oil cup hose	1	
09	90145-M9Q-000	3.50	Oil bolt 10*22	2	
10	90545-M9Q-000	1.10	Oil bolt washer	4	



Pictures reference only

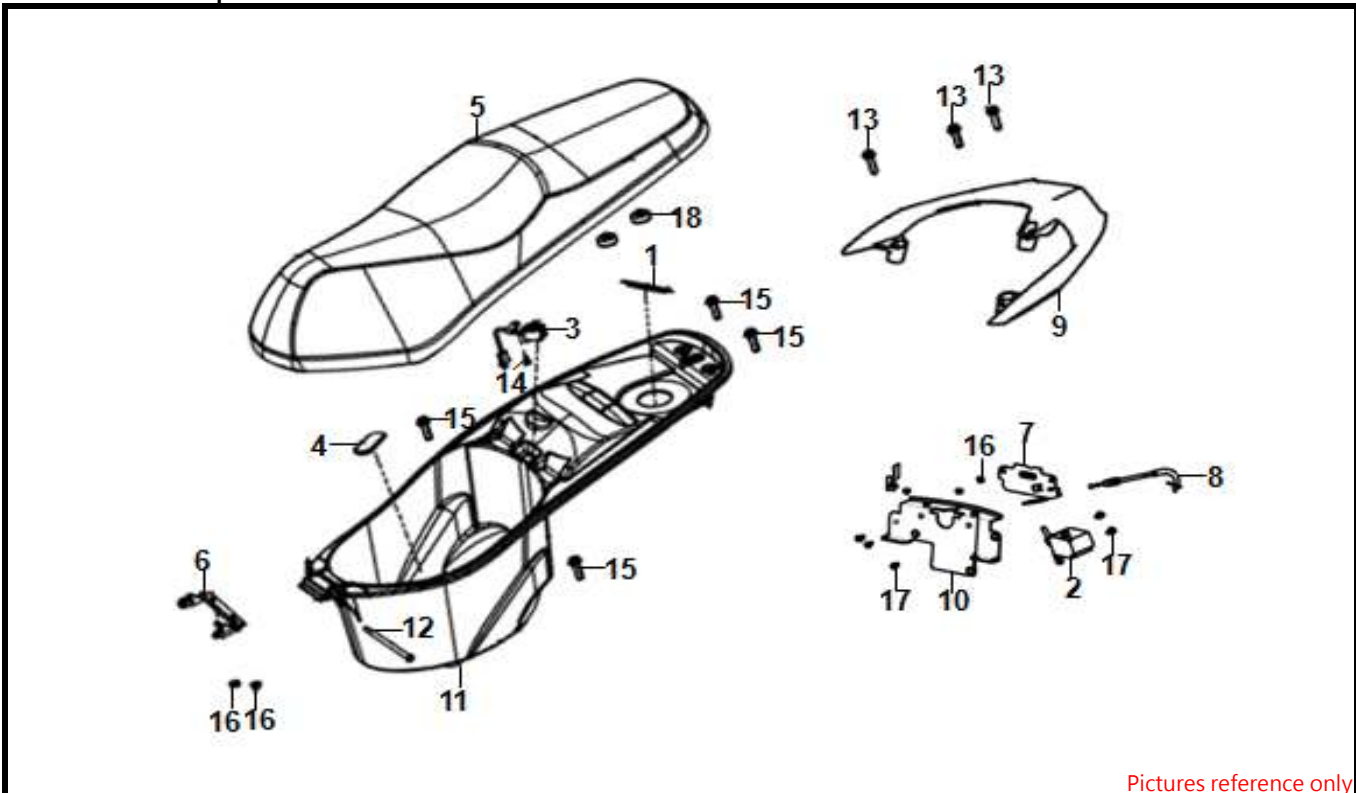
NO	PARTS NUMBER	PRICE (RM / PCS)	DESCRIPTION	QTY	EFFECTIVE DATE
01	42753-ABA-000	11.20	Rim valve	1	
02	44301-APG-900	25.10	FR. wheel axle	1	
03	44311-GW0-910	6.40	Collar FR. wheel side	1	
04	91258-M9Q-000-M2	4.30	Speedometer gear box seal	1	
05	44601-X8A-000	561.00	FR. cast wheel COMP	1	
06	44620-APG-000	11.10	FR. axle dist collar	1	
07	44710-X8A-000	357.80	FR. tire	1	
08	44800-XPA-010	57.00	SPDMT. gear box ASSY	1	
09	45121-XMC-000	154.30	FR. brake disk	1	
10	90106-N02-0002	2.70	FR. disk bolt 8X24	5	
11	90306-X11-000	6.20	Self lock nut 12MM	1	
12	90754-M9Q-000	3.50	Dust seal 20X32X5	1	
13	90912-M9Q-000-M1	11.60	Bearing 6201	2	
14	44314-N7B-E10	2.10	L. FR. wheel axle rubber	1	
15	44315-N7B-E10	2.10	R. FR. wheel axle rubber	1	
16	93600-04010-04	1.10	Flat screw 4*10	2	

●Please check the color & stripe information according to the color index !



Pictures reference only

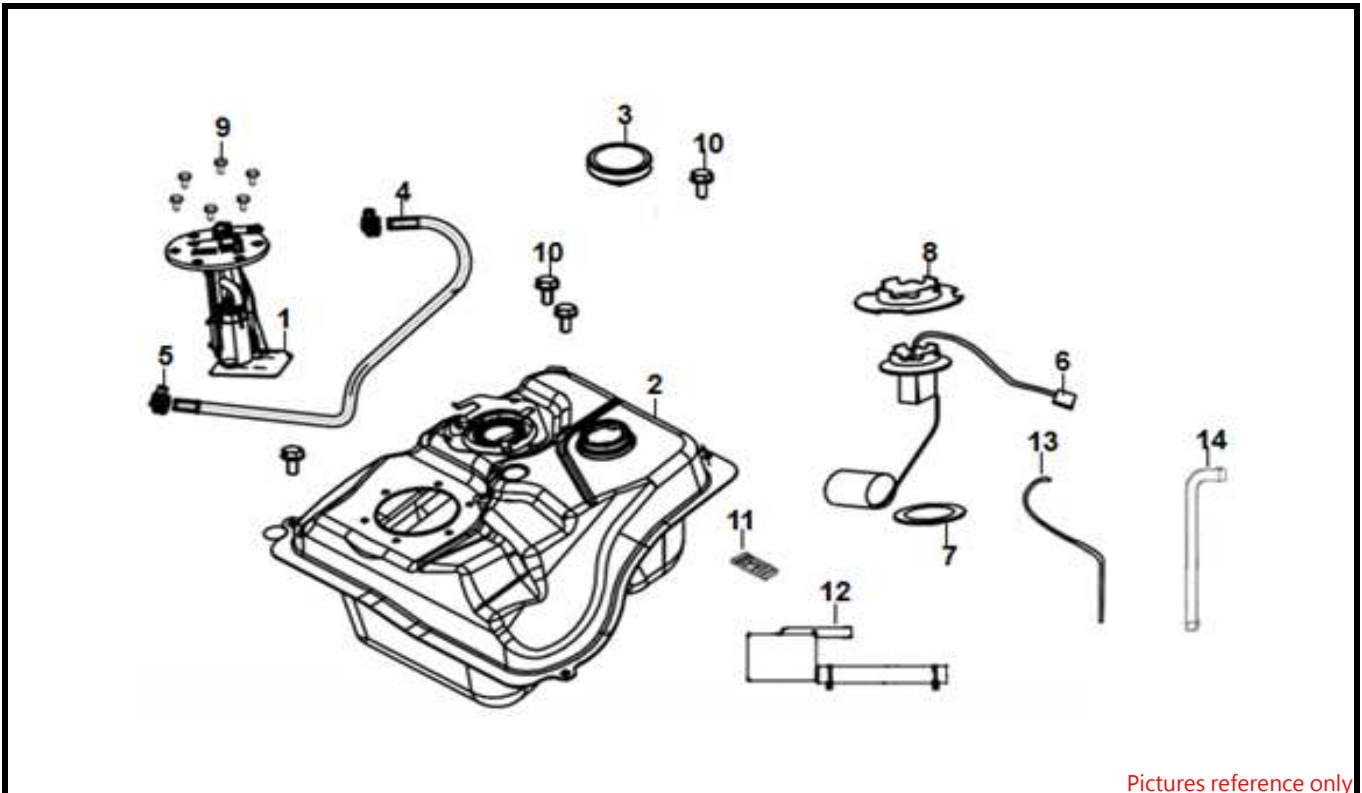
NO	PARTS NUMBER	PRICE (RM / PCS)	DESCRIPTION	QTY	EFFECTIVE DATE
01	42601-X8A-000	509.50	RR. wheel hub COMP	1	
02	42710-X8A-000	366.40	RR. tire ASSY	1	
03	42753-ABA-000	11.20	Rim valve	1	
04	4312A-H1A-000	57.80	RR. brake shoe ASSY	1	
05	43410-KAA-0003	17.30	RR. brake arm	1	
06	43141-ANT-000	19.40	RR. brake cam	1	
07	43472-ABA-000	5.00	RR. BRK. Arm return SRG.	1	
08	90305-AAA-000	40.20	Self-lock nut 16MM	1	
09	90501-M9Q-900	6.10	16MM washer	1	
10	91352-M9Q-0000	0.70	O ring 11.3X1.3	1	
11	95015-32001	1.10	Brake arm joint B	1	
12	95015-42000-00	2.20	Adjust nut B	1	



Pictures reference only

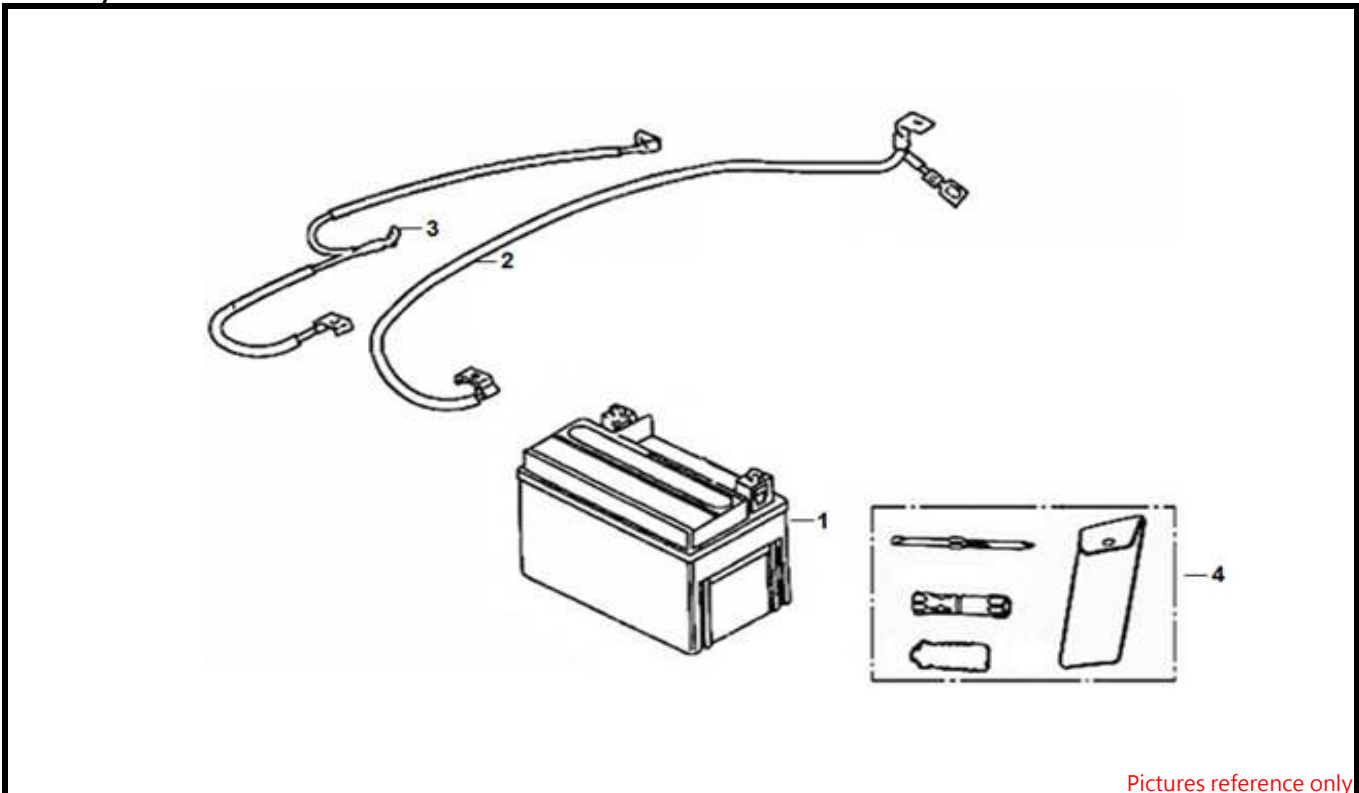
NO	PARTS NUMBER	PRICE (RM / PCS)	DESCRIPTION	QTY	EFFECTIVE DATE
01	17506-XPA-000	3.30	Fuel guide rubber	1	
02	35870-HLA-000	71.90	Dc SOL. ASSY	1	
03	36600-A1A-010	18.00	Eng. Start control SW.	1	
04	70529-APA-000	9.60	Carb maint rubber	1	
05	77200-X8A-000	374.60	Double seat comp	1	
06	77201-AAA-000	18.20	Seat hinge comp.	1	
07	77230-APA-000	34.10	Seat catch comp.	1	
08	77240-XPA-000	26.30	Seat lock cable	1	
09	81200-X8A-000-K	213.50	RR. Carrier	1	
10	81207-XPA-000	47.70	Seat catch stay	1	
11	81250-XPA-000	138.70	Luggage box	1	
12	90105-HHA-000	7.20	Seat hing screw	1	
13	90106-B9A-000	4.30	Special bolt 8mm	3	
14	93903-34340	1.20	Tapping screw 4*12	1	
15	90115-ATA-000	2.00	Flange bolt 6*16	4	
16	94050-06040	0.40	Flange nut 6mm	5	
17	95701-06012-04	0.50	Flange bolt 6*12	5	
18	50352-ADB-000	3.30	Link stopper rubber	2	

●Please check the color & stripe information according to the color index !



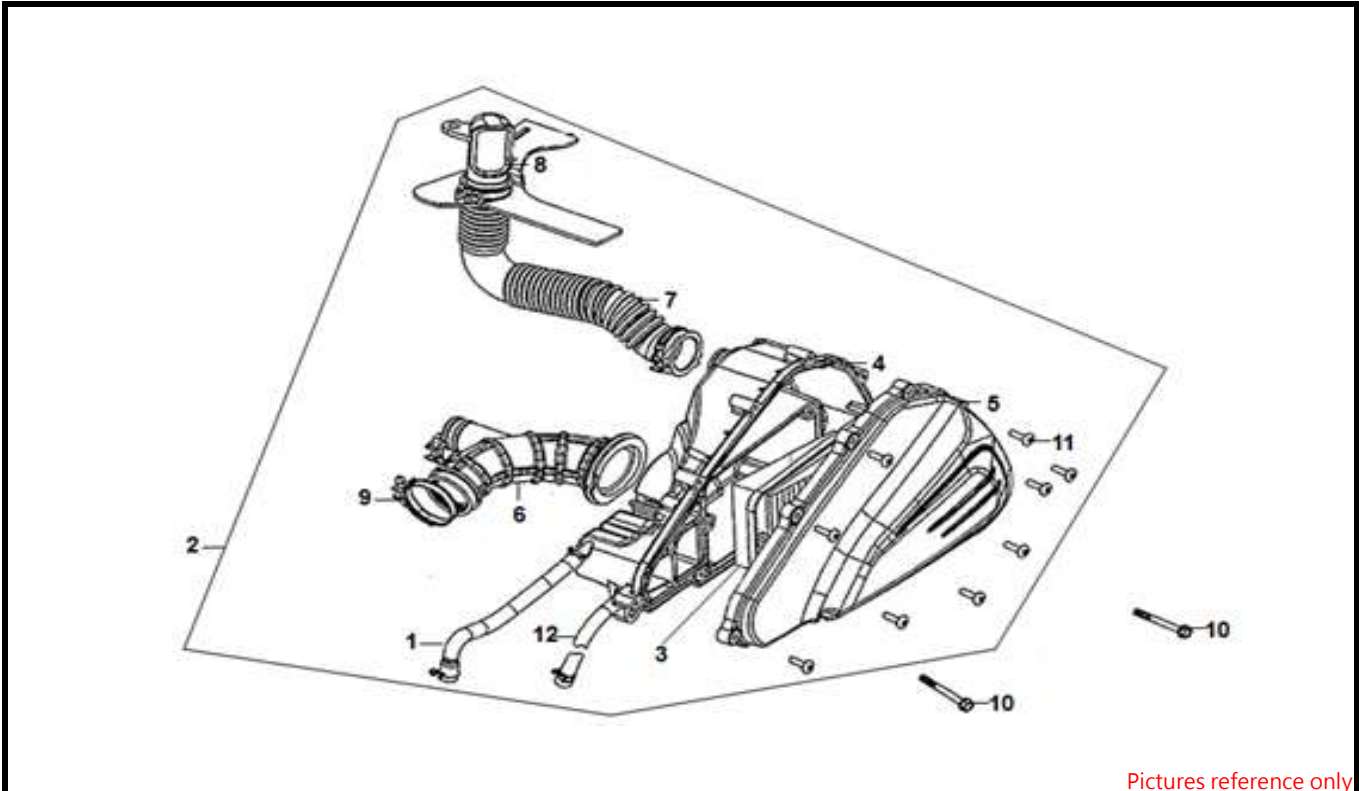
Pictures reference only

NO	PARTS NUMBER	PRICE (RM / PCS)	DESCRIPTION	QTY	EFFECTIVE DATE
01	16700-XMA-000	736.30	Fuel pump comp.	1	
02	17500-XMB-000	172.80	Fuel tank comp.	1	
03	17620-XH1-010	50.60	Fuel filter cap comp	1	
04	17682-X8A-000	153.50	Fuel strainer hose	1	
05	19505-H5D-000	9.00	Hose clamp	1	
06	37800-XPA-010	33.60	Fuel unit assy	1	
07	37801-M9Q-000	2.20	Base packing	1	
08	37802-M9Q-000	4.30	Ret. Fuel unit	1	
09	90116-Z5C-000	1.60	Fuel pump. Bolt	6	
10	96001-06010-08	0.90	Flange bolt sh. 6*10	4	
11	17508-X8A-000	12.10	Fuel tank center cushion	1	
12	17580-XMB-000	48.10	Fuel cut valve	1	
13	17684-APA-000	17.30	Vacuum tube	1	
14	17685-XMC-000	9.50	CANI. - CARB. tube	1	



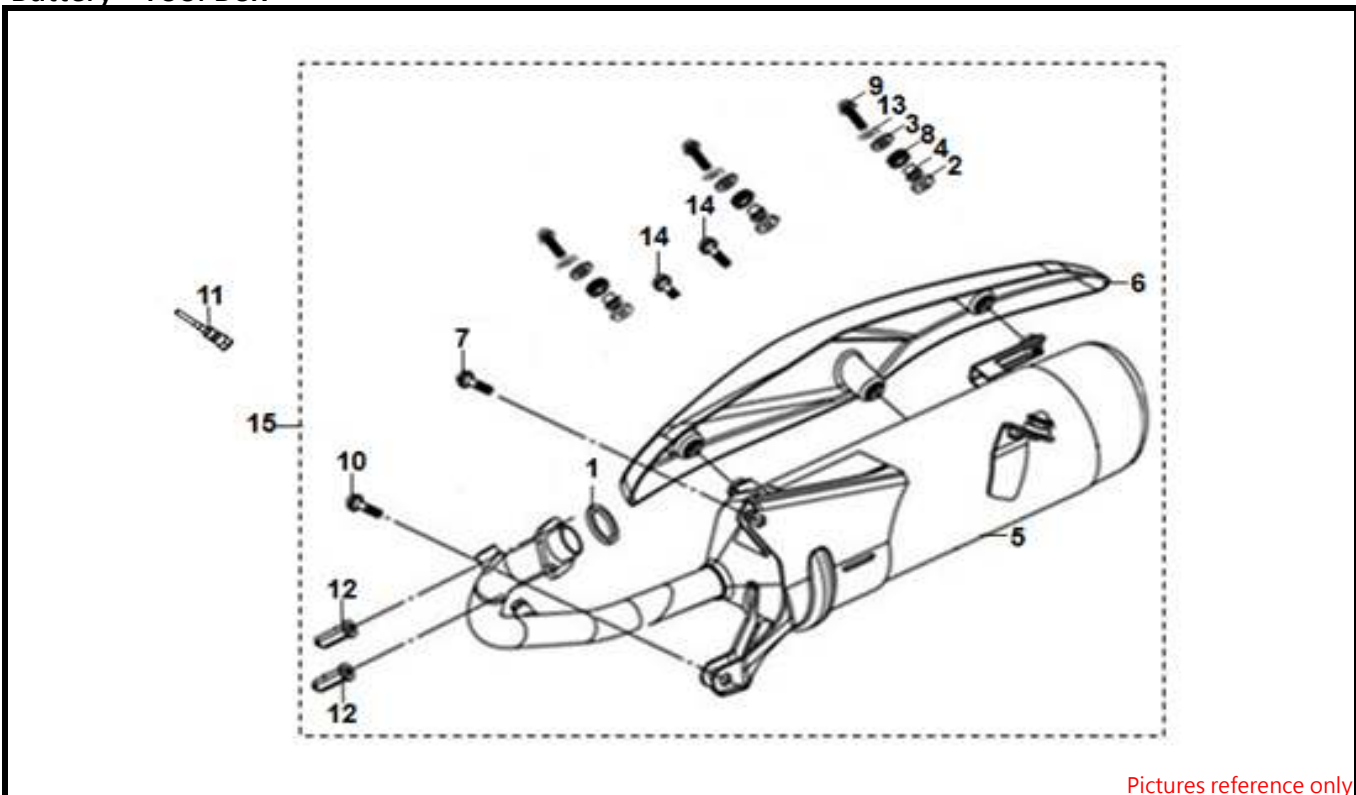
Pictures reference only

NO	PARTS NUMBER	PRICE (RM / PCS)	DESCRIPTION	QTY	EFFECTIVE DATE
01	AC-YTX7A-BS(HW)	126.00	Battery ASS'Y(MT*7A-BS)	1	
02	32411-ARA-010	34.20	Battery cable	1	
03	32412-XRA-000	50.10	Earth cable	1	
04	89010-V1F-000	10.60	Tool set	1	



Pictures reference only

NO	PARTS NUMBER	PRICE (RM / PCS)	DESCRIPTION	QTY	EFFECTIVE DATE
01	11211-Z7P-000	17.70	Breather tube	1	
02	17200-Z7P-020	259.60	AIR cleaner ASSY.	1	
03	17211-ADB-000	32.30	AIR/C element COMP.	1	
04	17230-ARA-010	48.30	AIR/C case COMP.	1	
05	17231-APA-000	39.20	AIR/C cover COMP.	1	
06	17253-XRB-010	62.00	AIR/C connecting tube	1	
07	17257-APA-000	74.30	AIR/C duct A	1	
08	17258-APA-000	15.20	AIR/C duct B	1	
09	90652-M9Q-000	9.00	AIR/C. CONN. tube band 48	1	
10	93404-06030-07	1.40	Washer bolt 6*30	2	
11	93903-25480	0.70	Tapping screw 5*20	9	
12	95003-23028-60	3.60	V tube 8*12*280	1	

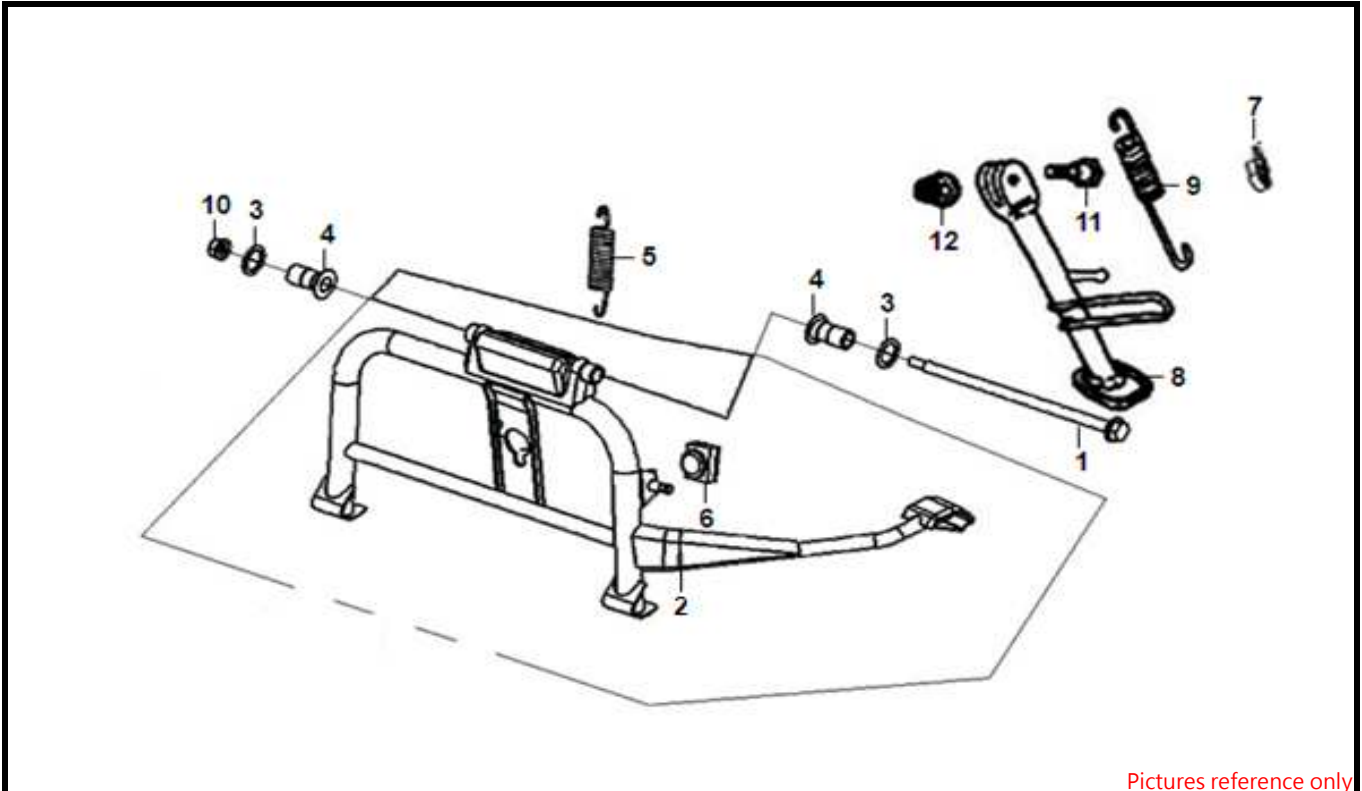


Pictures reference only

NO	PARTS NUMBER	PRICE (RM / PCS)	DESCRIPTION	QTY	EFFECTIVE DATE
01	18291-Z8G-000	3.90	EXH. pipe gasket(26.2x33)	1	
02	18292-F3E-000	4.30	Protector packing A	3	
03	18293-F3E-000	1.10	Protector packing	3	
04	18295-F3E-000	2.90	Collar M6	3	
05	18300-X8A-000	1120.90	EXH. muffler COMP	1	
06	18317-XPA-000-K	104.20	Muffler protector COMP(BLACK)	1	
07	95801-ZDA-000	2.80	Flange bolt 8x45	1	
08	18320-F3E-0000	1.10	Protector rubber	3	
09	96001-06022-49	4.80	Bolt6*22	3	
10	95801-NBB-000	3.90	Flange bolt8*50	1	
11	3789A-XJE-000	541.70	O2 sensor ASSY.	1	
12	90043-XB1-000	5.90	Cap nut	2	
13	90555-AMA-000	0.70	Washer	3	
14	93903-25280	0.90	Tapping screw 5x12	2	
15	18000-X8A-000	1186.70	EXH muffler ASSY	1	

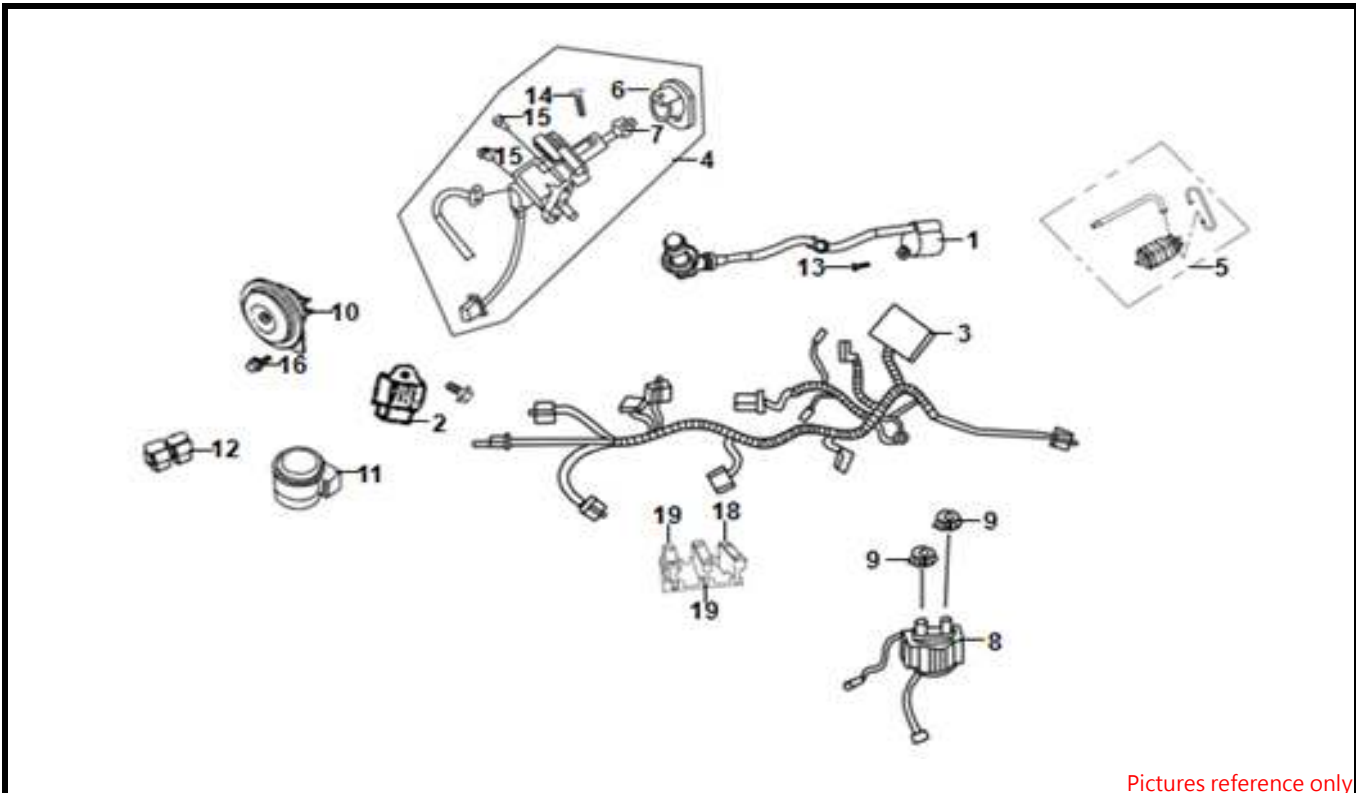
●Please check the color & stripe information according to the color index !

Main Stand • Kick Starter Arm



Pictures reference only

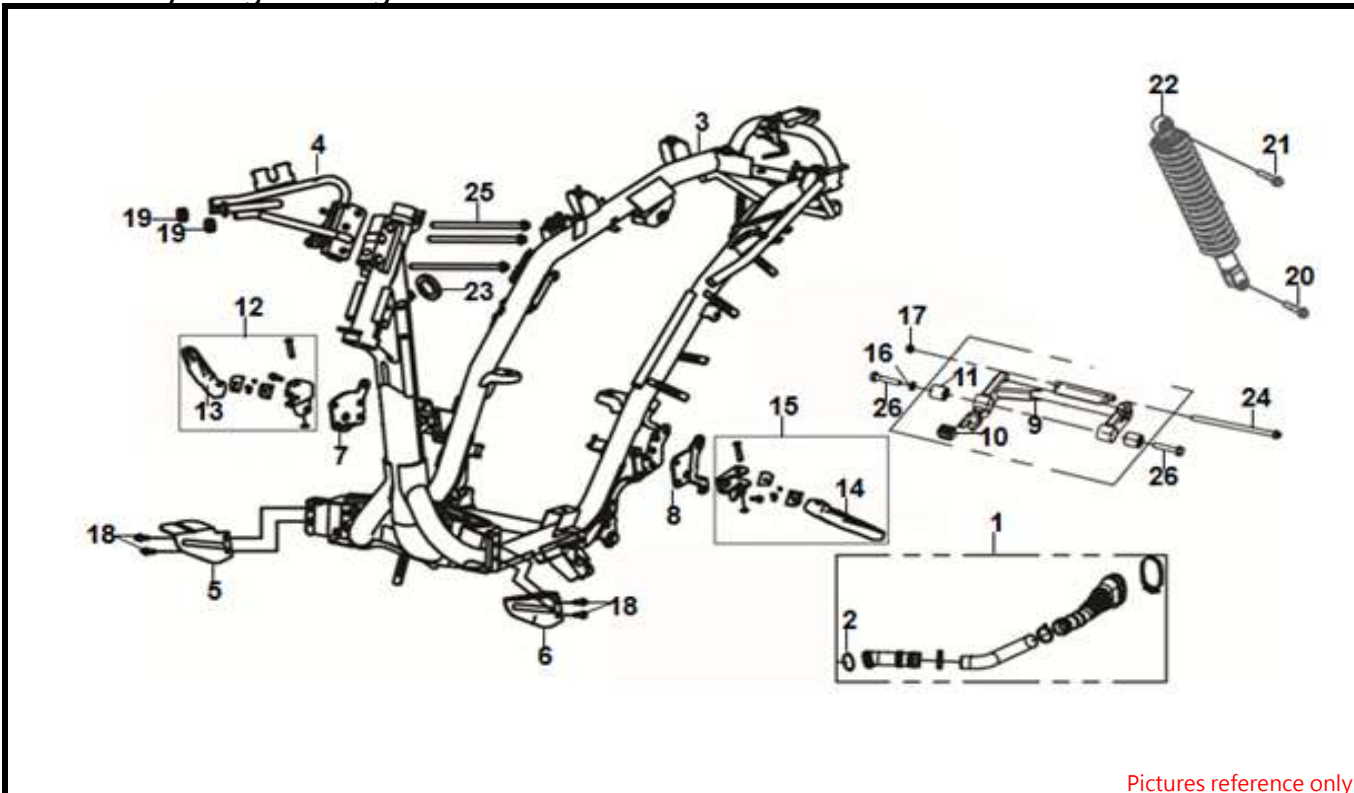
NO	PARTS NUMBER	PRICE (RM / PCS)	DESCRIPTION	QTY	EFFECTIVE DATE
01	50512-ARA-000	12.50	Flange bolt	1	
02	50500-X8A-000	131.10	Main stand COMP	1	
03	50503-F6B-000	1.70	Main stand washer	2	
04	50504-Z6A-000	13.50	Main stand collar	2	
05	5052A-APA-900	12.40	Main stand SPG.ASSY	1	
06	50506-ABA-000	6.00	Stand stop rubber A	1	
07	35270-Z7C-000	153.60	Side stand SW.	1	
08	50530-X8A-000	34.20	Side stand COMP	1	
09	50535-Z7C-000	11.20	Side stand SPG. ASSY	1	
10	90309-M9Q-900	1.80	Self-lock nut 8MM	1	
11	90108-Z7C-010	4.60	Side stand pivot screw	1	
12	94030-08080-0S	0.40	HEX. nut 8MM	1	



Pictures reference only

NO	PARTS NUMBER	PRICE (RM / PCS)	DESCRIPTION	QTY	EFFECTIVE DATE
01	3051A-X8A-010	261.10	IGN. COIL. ASSY	1	
02	31600-MA1-000	162.60	REG. REC. COMP	1	
03	32100-X8A-010	771.70	Wire harness	1	
04	35010-X8A-010	134.30	Key set	1	
05	1730A-X8A-000	97.40	Canister set	1	
06	35114-ALA-000	24.90	Main SW.cover	1	
07	35111-XGA-000	32.80	Key	1	
08	3585A-35A-A00	47.00	MAG. SW. COMP	1	
09	35859-M9Q-000	0.90	Start MAG. SW. NUT	2	
10	38100-N7B-E10	34.70	Horn COMP	1	
11	38300-T40-010	39.60	Ap winker relay ASSY	1	
12	3850A-HLA-010	36.10	ELEC. relay ASSY	3	
13	90112-H5B-000	1.50	COIL SCREW 4mm	2	
14	93891-05010-08	1.20	Screw washer 5X10	1	
15	95801-06018-00	0.90	Flange bolt 6X18	2	
16	95801-08012-08	1.40	Flange bolt 8X12	1	
17	98200-31000	1.80	Blade fuse 10A	1	
18	98200-31500	1.10	Blade fuse 15A	1	
19	98200-32000	1.90	Plate fuse (20A)	1	

●Please check the color & stripe information according to the color index !



Pictures reference only

NO	PARTS NUMBER	PRICE (RM / PCS)	DESCRIPTION	QTY	EFFECTIVE DATE
01	1134C-ARA-000	89.10	L. cover duct T ASSY	1	
02	17242-M9Q-000	2.50	AIR/C duct BAND	1	
03	50100-X8A-000	1226.50	Frame body COMP.	1	
04	50180-X8A-000	124.30	Front cover stay	1	
05	50181-X8A-010	35.90	Floor panel stay A	1	
06	50182-X8A-010	35.90	Floor panel stay B	1	
07	50183-X8A-000	19.20	RH. step STAY	1	
08	50184-X8A-000	19.20	LH. step STAY	1	
09	50351-ARA-010	108.30	ENG. hanger COMP	1	
10	50352-ADB-000	3.30	Link stopper rubber	1	
11	50353-M9Q-000	10.60	Swing lock bush	2	
12	50710-X8A-000	79.30	RH. pillion step ASSY	1	
13	50715-APA-000	56.40	RH. pillion step	1	
14	50718-APA-000	56.40	LH. pillion step	1	
15	50720-X8A-000	79.30	Lh. Pillion step ASSY	1	
16	90121-M9Q-900	2.00	Distance collar	1	
17	90304-M9Q-000	5.00	Flange. U nut 10mm	1	
19	94050-06040	0.40	Flange nut 6*40	2	
20	95801-08035-04	1.60	Flange bolt 8*35	1	
21	95801-10035-04	1.60	Flange bolt 10*35	1	
22	52400-AP1-000-K	150.20	Rr. Cushion ASSY	1	
23	64306-XPA-000	2.40	Inner box sponge	1	
24	90105-ARA-000	13.60	Flange bolt 10*191 (GREEN)	1	
25	90105-APA-000	11.50	Special bolt 6x45	3	
26	90106-ABA-000	3.70	Flange bolt 10*55	2	

PARTS NO. INDEX

PARTS NO.	NO.	PARTS NO.	NO.	PARTS NO.	NO.
06414-HKK-000	E14	14520-GY6-901	E05	17910-X8A-000	F02
11100-ARA-000	E04	14523-Z8G-000	E05	18000-X8A-000	F14
11102-M9Q-300	E04	14531-M9Q-000	E12	18241-F6S-000	E01
11102-M9Q-300	E12	14610-F8A-0001-L1	E03	18291-Z8G-000	F14
11192-XRB-000	E12	14711-F8A-000	E02	18292-F3E-000	F14
11200-ARA-000	E12	14721-F8A-000	E02	18293-F3E-000	F14
11203-M9Q-300	E12	14751-ARA-000	E02	18295-F3E-000	F14
11211-Z7P-000	F13	14771-F6C-A00	E02	18300-X8A-000	F14
11221-ARA-000	E11	14781-A01-A00	E02	18317-XPA-000-K	F14
11331-ARB-000	E06	15100-F6C-000	E04	18320-F3E-0000	F14
11341-XMA-020-K1	E08	15133-F6C-000	E04	19505-H5D-000	F11
11342-ARA-000	E08	15421-H66-000	E06	19510-XJ1-000	E07
11343-XRB-000	E08	15426-M9Q-000	E06	19613-GY6-900	E01
1134C-ARA-000	F17	1565A-ARA-000	E06	1961A-X8A-000	E01
11382-ARB-000	E08	15711-M92-000	E04	1962A-X8A-000	E01
11383-GY6-A00	E01	16201-Z2D-000	E02	1963A-Z7P-000	E01
11394-Z2D-000	E06	16211-ANL-010	E02	1B01A6101	E09
11395-XRB-000	E08	1640A-XRB-010	E14	1C14401-M92-000	E03
12100-ARA-000	E05	16700-XMA-000	F11	AC-1PCR7HSA-3	E02
12191-Z2D-000	E05	1711A-Z7P-000	E14	AC-YTX7A-BS(HW)	F12
12209-H6B-0000	E02	17120-XJA-000	E14	21200-ANM-000	E11
1220C-XGG-000	E02	17121-H6Y-000	E14	21395-Z2D-000	E11
12251-H7A-000	E02	17200-Z7P-020	F13	22101-F6C-000	E10
12302-ANL-000	E02	17211-ADB-000	F13	22102-M92-000	E09
12308-ARA-000	E02	17230-ARA-010	F13	22105-M92-000	E09
12310-A61-000	E02	17231-APA-000	F13	22110-H5B-000	E09
12361-M9Q-0000	E06	17242-M9Q-000	F17	2211A-ARA-000	E09
12391-F8A-0001	E02	17253-XRB-010	F13	22121-HKE-000-A	E09
13000-ANL-000	E13	17256-MA1-000	E14	22131-M92-000	E09
13010-U3A-000	E13	17257-APA-000	F13	22132-ARA-000-A	E09
13101-ANL-000	E13	17258-APA-000	F13	22350-ANL-000	E10
13111-ARA-000	E13	1730A-X8A-000	F16	22530-ANT-000	E10
14100-ANL-000	E03	17500-XMB-000	F11	2301A-ANT-000	E10
14105-F6A-000	E03	17506-XPA-000	F10	23411-ARA-000	E11
14439-F62-010	E02	17508-X8A-000	F11	23420-Z7C-010	E11
1443A-ANL-010	E02	17580-XMB-000	F11	23431-ANL-000	E11
14451-ANL-000	E02	17620-XH1-010	F11	23432-AR1-000	E11
14452-ANL-000	E02	17682-X8A-000	F11	28101-M9Q-000	E04
14457-ANL-000	E03	17684-APA-000	F11	28102-M9Q-000	E04
14510-F8A-0001-L1	E03	17685-XMC-000	F11	28110-M9Q-000	E04

PARTS NO.	NO.	PARTS NO.	NO.	PARTS NO.	NO.
28120-M9Q-000	E04	38300-T40-010	F16	50301-M9Q-000	F06
28124-H6T-000	E04	3850A-HLA-010	F16	50302-M9Q-000	F06
28125-M92-000	E04	42601-X8A-000	F09	50303-AAA-000	F06
28126-M9Q-000	E04	42710-X8A-000	F09	50304-AAA-000	F06
2812A-H6T-000-M1	E04	42753-ABA-000	F08	50306-M9Q-000	F06
3051A-X8A-010	F16	42753-ABA-000	F09	50324-X8A-000	F04
31110-F6T-000	E07	4312A-H1A-000	F09	50326-X8A-000	F04
31120-X8A-000	E07	43141-ANT-000	F09	50351-ARA-010	F17
31200-ARA-000	E12	43410-KAA-0003	F09	50352-ADB-000	F10
31600-MA1-000	F16	43450-X8A-000	F02	50352-ADB-000	F17
32100-X8A-010	F16	43472-ABA-000	F09	50353-M9Q-000	F17
32411-ARA-010	F12	44301-APG-900	F08	50500-X8A-000	F15
32412-XRA-000	F12	44311-GW0-910	F08	50503-F6B-000	F15
32961-ARA-000	E06	44314-N7B-E10	F08	50504-Z6A-000	F15
33100-X8A-000	F03	44315-N7B-E10	F08	50506-ABA-000	F15
33400-X8A-000	F03	44601-X8A-000	F08	50512-ARA-000	F15
33450-X8A-000	F03	44620-APG-000	F08	5052A-APA-900	F15
33700-X8A-000	F05	44710-X8A-000	F08	50530-X8A-000	F15
33701-X8A-000	F05	44800-XPA-010	F08	50535-Z7C-000	F15
33740-Z6A-000	F05	44830-X8A-000	F02	50611-APA-000	F04
33741-N7B-E10	F05	45100-XMC-000-K	F07	50612-APA-000	F04
33742-X8A-000	F06	45101-XMC-000	F07	50710-X8A-000	F17
35010-X8A-010	F16	45105-APA-000	F07	50715-APA-000	F17
35111-XGA-000	F16	45105-APA-000-A	F07	50718-APA-000	F17
35114-ALA-000	F16	45106-APA-000	F07	50720-X8A-000	F17
35150-X8A-000	F02	45121-XMC-000	F08	51400-X8A-000-K	F06
35200-X8A-000	F02	45126-X8A-000	F07	51403-APA-000	F06
35270-Z7C-000	F15	45156-AAA-000	F06	51404-APA-000	F06
35340-M92-900	F02	45450-X8A-000	F02	51500-X8A-000-K	F06
35859-M9Q-000	F16	45465-ZDA-000	F06	52400-AP1-000-K	F17
3585A-35A-A00	F16	4500A-X8A-000	F07	53100-X8A-000	F02
35870-HLA-000	F10	45513-ANT-000	F07	53104-AWR-000	F02
36600-A1A-010	F10	46300-ANT-000	F07	53125-CT1C-A00	F02
37200-X8A-010	F01	46516-ANT-000	F07	53131-AWU-000-KH	F02
37800-XPA-010	F11	50100-X8A-000	F17	53132-AWU-000	F02
37801-M9Q-000	F11	50180-X8A-000	F17	53140-XPA-0001-VN1-V	F02
37802-M9Q-000	F11	50181-X8A-010	F17	53166-XPA-0001-VN	F02
37880-Z5C-000-M1	E02	50182-X8A-010	F17	53175-ANT-000	F02
3789A-XJE-000	F14	50183-X8A-000	F17	53178-ATA-000	F02
38100-N7B-E10	F16	50184-X8A-000	F17	53181-ANT-000	F02

PARTS NO.	NO.	PARTS NO.	NO.	PARTS NO.	NO.
53182-X8A-000	F02	80108-X8A-000	F05	87131-X8B-000-T3	F04
5318A-X8A-000	F02	80151-X8A-000	F05	87132-X8B-000-T1	F04
53192-X8A-000	F02	81131-X8A-900	F03	87132-X8B-000-T2	F04
5319A-X8A-000	F02	81132-X8A-000	F03	87132-X8B-000-T3	F04
53200-X8A-000	F06	81133-X8A-000-AE	F03	87170-X8B-000	F02
53205-X8A-000	F02	81141-X8A-000	F03	87552-L6G-900	F03
53206-X8A-000	F01	81142-X8A-000	F03	88110-XPA-000-K	F02
53208-X9B-000	F01	81143-X8A-000-AE	F03	88120-XPA-000-K	F02
53209-X9B-000	F01	81146-X8A-000	F03	89010-V1F-000	F12
53211-M9Q-0000	F06	81200-X8A-000-K	F10	90001-M9Q-000	E05
53212-M9Q-000	F06	81207-XPA-000	F10	90002-M9Q-000	E04
53214-M9Q-0000	F06	81250-XPA-000	F10	90005-KW1-900	E05
53215-M9Q-0000	F06	83500-X8A-000-BP	F05	90031-107-010	E05
53231-X8A-000	F02	83500-X8A-000-RD	F05	90032-A6A-000	E05
61100-X8A-000-K	F06	83500-X8A-000-WA	F05	90033-M92-000	E02
61110-X8A-000	F06	83510-X8A-000-AE	F05	90034-HMA-000	E02
64300-X8A-000	F03	83520-X8A-000	F04	90043-XB1-000	F14
64301-X8A-000-BP	F03	83530-X8A-000-AE	F04	90083-B12-000	E03
64301-X8A-000-RD	F03	83600-X8A-000-BP	F05	90085-HHA-900	E14
64301-X8A-000-WA	F03	83600-X8A-000-RD	F05	90103-KN8-000	E12
64302-X8A-000-BP	F03	83600-X8A-000-WA	F05	90105-APA-000	F17
64302-X8A-000-RD	F03	83610-X8A-000-AE	F05	90105-ARA-000	F17
64302-X8A-000-WA	F03	83620-X8A-000	F04	90105-HHA-000	F10
64303-X8A-000	F01	83630-X8A-000-AE	F04	90106-AAA-000	F02
64306-X01-000	F04	83650-X8A-000-BP	F05	90106-ABA-000	F17
64306-XPA-000	F17	83650-X8A-000-RD	F05	90106-B9A-000	F10
64310-X8A-000	F04	83650-X8A-000-WA	F05	90106-N02-0002	F08
64318-ALA-000-BK	F03	87123-X8B-000-T1	F03	90108-Z7C-010	F15
67100-X8A-000	F01	87123-X8B-000-T2	F03	90111-AAA-000	F04
67110-X8A-000-AE	F01	87124-X8B-000-T1	F03	90112-H5B-000	F16
70529-APA-000	F10	87124-X8B-000-T2	F03	90115-ATA-000	F06
77200-X8A-000	F10	87125-X8B-000-T1	F05	90115-ATA-000	F10
77201-AAA-000	F10	87125-X8B-000-T2	F05	90115-AWU-000	F02
77230-APA-000	F10	87126-X8B-000-T1	F05	90116-Z5C-000	F11
77240-XPA-000	F10	87126-X8B-000-T2	F05	90118-B9A-000	F03
80100-X8A-000	F05	87128-X8B-000	F05	90118-B9A-000	F04
80103-ARA-000	F05	87129-X8B-000	F05	90121-M9Q-900	F17
80105-X8A-000	F04	87130-X8B-000	F05	90145-M9Q-000	F07
80106-ARA-000	F05	87131-X8B-000-T1	F04	90164-AAA-000	F06
80107-X8A-000	F05	87131-X8B-000-T2	F04	90201-GY6-900	E04

PARTS NO. INDEX

PARTS NO.	NO.	PARTS NO.	NO.	PARTS NO.	NO.
90302-SA4-900	F01	92800-12000	E12	95015-42000-00	F09
90302-SA4-900	F03	93404-06016-00	F04	95701-06012-04	F04
90302-SA4-900	F04	93404-06022	F17	95701-06012-04	F10
90302-SA4-900	F05	93404-06030-07	F13	95701-08055-00	E12
90304-AAA-000	F02	93600-04010-04	F08	95701-08060-00	E12
90304-M9Q-000	F17	93600-06025-0H	E04	95701-08065-00	E12
90305-AAA-000	F09	93891-05010-08	F16	95701-08068-00	E12
90306-X11-000	F08	93903-25280	F14	95801-06014-07	F06
90309-M9Q-900	F15	93903-25480	F13	95801-06018-00	F16
90401-ANL-000	E11	93903-34180	E02	95801-06022-04	F04
90403-M92-000	E04	93903-34340	E01	95801-08012-08	F16
90440-166-000	E07	93903-34340	F03	95801-08035-04	F17
90440-166-000	E09	93903-34340	F05	95801-08040-00	F06
90442-028-000	E02	93903-34340	F10	95801-10035-04	F17
90474-333-000	E12	93903-35240	F01	95801-ZDA-000	F14
90501-M9Q-900	F09	93903-35240	F03	96001-06010-08	F11
90545-M9Q-000	F07	93903-35240	F04	96001-06012-04	E03
90555-AMA-000	F14	93903-35240	F05	96001-06012-08	E04
90602-N01-000	E04	93903-35340	F03	96001-06016-08	E12
90652-M9Q-000	F13	93903-45240	F04	96001-06018-08	E07
90703-M8Q-000	E05	93903-45340	F02	96001-06020-00	E07
90703-M8Q-000	E11	93904-35340	E01	96001-06022-49	F14
90703-M8Q-000	E12	93904-35380	E01	96001-06025-08	E01
90754-M9Q-000	F08	93930-14480	F04	96001-06028-08	E07
90912-M9Q-000-M1	F08	94030-08080-0S	F15	96001-06030-00	E08
91003-M8Q-000	E11	94050-06040	F10	96001-06030-08	E06
91104-KN7-670	E11	94050-06040	F17	96001-06045-00	E14
91104-M9Q-000	E04	94050-08080	E02	96001-06045-08	E04
91105-M9Q-000	E04	94050-12000	E07	96001-06050-02	E14
91201-M9Q-300-M1	E04	94050-12000	E09	96001-06055-08	E04
91202-KJ9-003	E11	94050-12000	E10	96001-06095-08	E02
91203-A6A-000	E11	94109-12000	E12	96001-06095-08	E06
91204-HMA-000	E09	94301-08140	E06	96001-06100-08	E06
91258-M9Q-000-M2	F08	94301-08140	E12	96100-62030-00	E11
91301-GR0-003	E12	94510-25000	E11	96100-63013-00	E11
91302-M9T-000	E06	94591-17000	E01	96150-62050-10	E11
91306-GY6-A00	E05	94591-28000	E12	96700-06025-49	F02
91352-M9Q-0000	F09	94601-15000-00	E13	96700-08020-02	F02
95801-NBB-000	F14	95003-23028-60	F13	98200-31000	F16
92101-05012-0A	E07	95015-32001	F09	98200-31500	F16

MODEL:XC12W1-MYC

PARTS NO. INDEX

2018.03

PARTS NO.	NO.	PARTS NO.	NO.	PARTS NO.	NO.
98200-32000	F16				