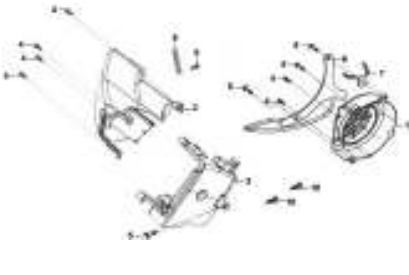
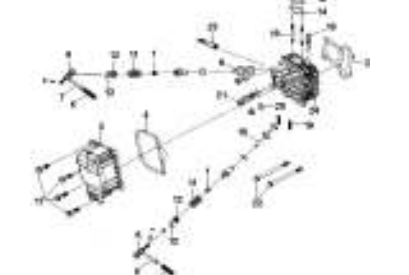
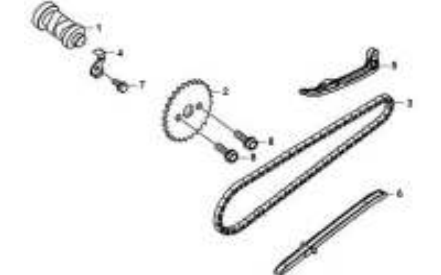
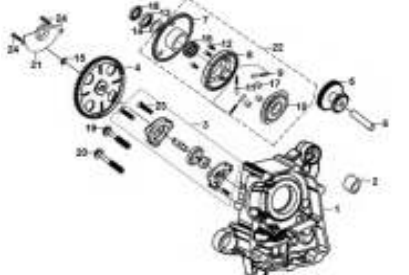
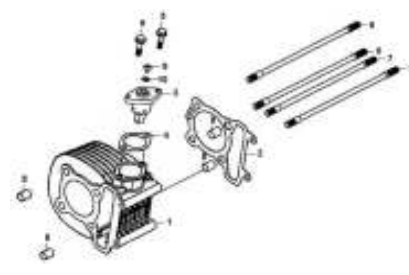
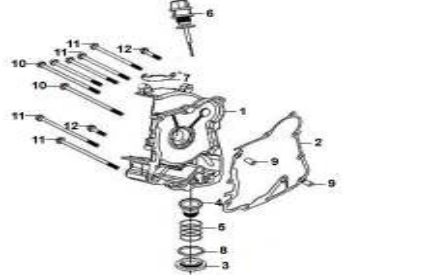

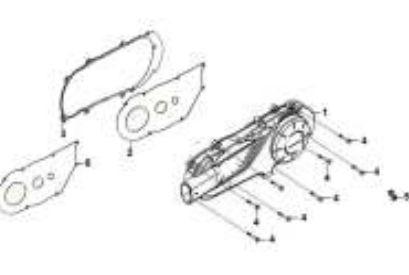
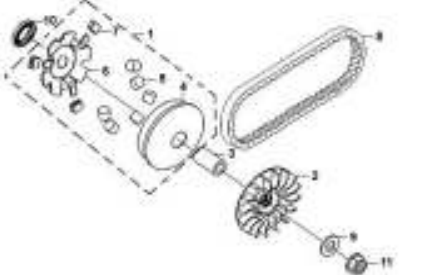

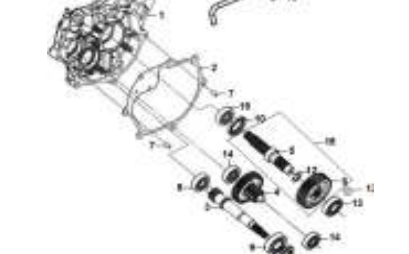
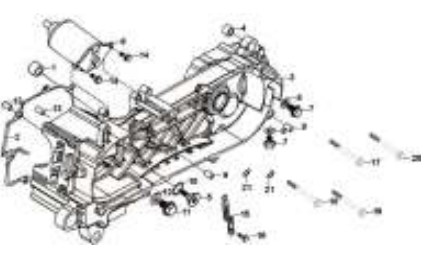


N O	MODEL		XC20W1-MYC(JET 14 200/X9L)					
	DATE		Nov-16	Nov-16	Sep-16	Nov-16	Nov-16	Mar-18
	BASIC COLOR		RD	BP	WA	AJ	KC	AG
	COLOR CODE		R-010CA	BU-289S	WH-006	BR-497U	BK-007U	GY-010U
	Description	Parts Number	RED	BLUE	WHITE	BROWN	BLACK	GRAY
1	R FR. COVER	64301-X8A-000	RD	BP	WA	AJ	KC	AG
2	L FR. COVER	64302-X8A-000	RD	BP	WA	AJ	KC	AG
3	R BODY COVER	83500-X8A-000	RD	BP	WA	AJ	KC	AG
4	L BODY COVER	83600-X8A-000	RD	BP	WA	AJ	KC	AG
5	RR. CENTER COVER	83650-X8A-000	RD	BP	WA	AJ	KC	AG
6	R RR. SIDE COVER	83530-X8A-000	AE	AE	AE	AE	AE	AE
7	L RR. SIDE COVER	83630-X8A-000	AE	AE	AE	AE	AE	AE
8	R BODY LOWER COVER	83510-X8A-000	AE	AE	AE	AE	AE	AE
9	L BODY LOWER COVER	83610-X8A-000	AE	AE	AE	AE	AE	AE
10	WIND SCREEN GARNISH	67110-X8A-000	AE	AE	AE	AE	AE	AE
11	FR. FENDER	61100-X8A-000	K	K	K	K	K	K
12	METER UP COVER	53208-X9B-000	•	•	•	•	•	•
13	R BACK MIRROR	88110-XPA-000	K	K	K	K	K	K
14	L BACK MIRROR	88120-XPA-000	K	K	K	K	K	K
15	RR. CUSHION	52400-AR1-010	K-C	K-C	K-C	K-C	K-C	K-C
16	FR. R CUSHION	51400-X8A-000	K-C	K-C	K-C	K-C	K-C	K-C
17	FR. L CUSHION	51500-X8A-000	K-C	K-C	K-C	K-C	K-C	K-C
19	RR. CARRIER	81200-X8A-000	K	K	K	K	K	K
20	RURO 4 STRIPE	87121-ANT-000	•	•	•	•	•	•
21	BODY COVER EMBLEM	87128-X8A-000	•	•	•	•	•	•
22	R. SIDE COVER STRIPE	87131-X8A-000	T3	T5	T1	T4	T2	T2
23	L. SIDE COVER STRIPE	87132-X8A-000	T3	T5	T1	T4	T2	T2
24	RH. Inner box garnish	81133-X8A-000	AE	AE	AE	AE	AE	AE
25	LH. Inner box garnish	81143-X8A-000	AE	AE	AE	AE	AE	AE
26	RURO 4 STRIPE	87145-U43-000	•	•	•	•	•	•
27	FR. COVER LID EMBLEM	87552-L6G-900	•	•	•	•	•	•
28	R/L.UNDER SPOILER STRIPE	87130-X9A-000	•	•	•	•	•	•
29	EXH MUFFLER	18000-X9A-000	K-C	K-C	K-C	K-C	K-C	K-C
30	FR. BRAKE	4550A-X9A-000	•	•	•	•	•	•
31	RR BRAKE ASS'Y	4350A-X9A-000	•	•	•	•	•	•
32	HNDL. PIPE UP. HOLDER	53131-AWU-000	KH	KH	KH	KH	KH	KH
33	FRAME NUMBER LID	64318-ALA-000	BK	BK	BK	BK	BK	BK
34	L. CRANK CASE COVER	11341-XMA-020	K1	K1	K1	K1	K1	K1

# 引擎部品目錄


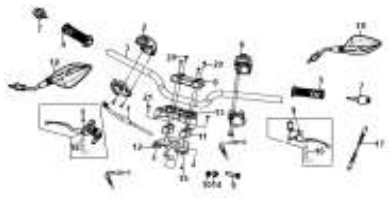

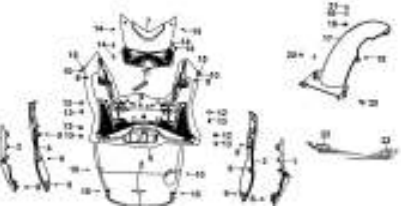
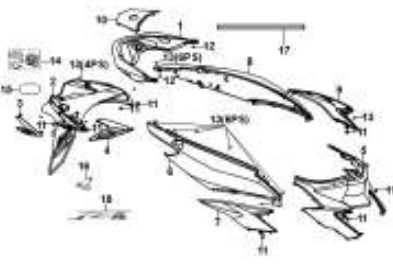
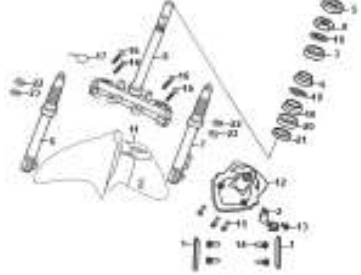
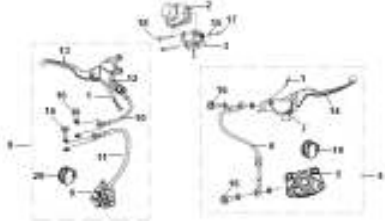
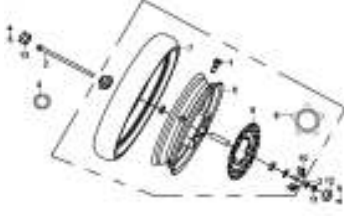
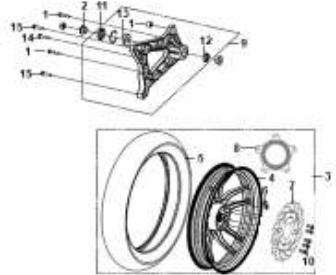
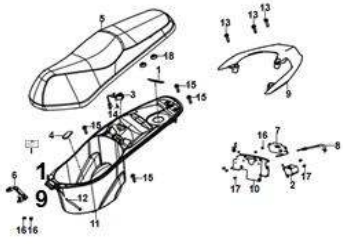

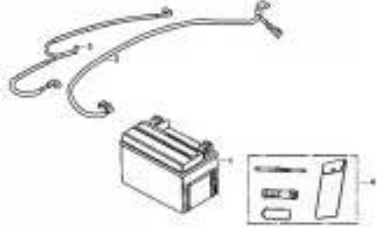
## CONTENTS-ENGINE GROUP

<b>E01 SHROUD ASSY</b>	<b>E02 CYLINDER HEAD</b>	<b>E03 CAM SHAFT&amp;CYL. HEAD L. SIDE COVER</b>
		
<b>E04 R CRANK CASE &amp; OIL PUMP ASSY</b>	<b>E05 CYLINDER</b>	<b>E06 R. CRANK CASE COVER</b>
		
<b>E07 AC GEN. ASSY</b>	<b>E08 L. CRANK CASE COVER</b>	<b>E09 MOVABLE DRIVE FACE ASS'Y</b>
		
<b>E10 DRIVEN PULLEY ASS'Y</b>	<b>E11 MISSION CASE &amp; DRIVE SHAFT</b>	<b>E12 L. CRANK CASE</b>
		




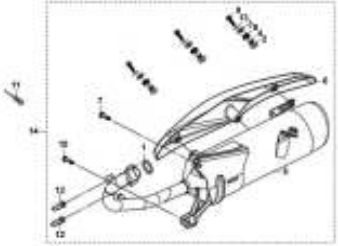
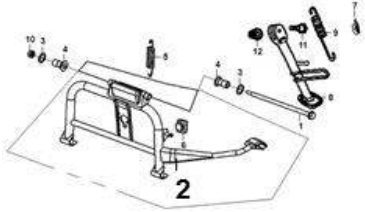
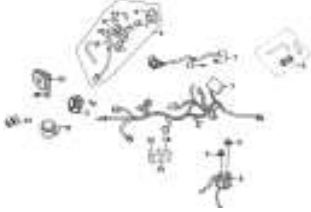

# 車架部品目錄

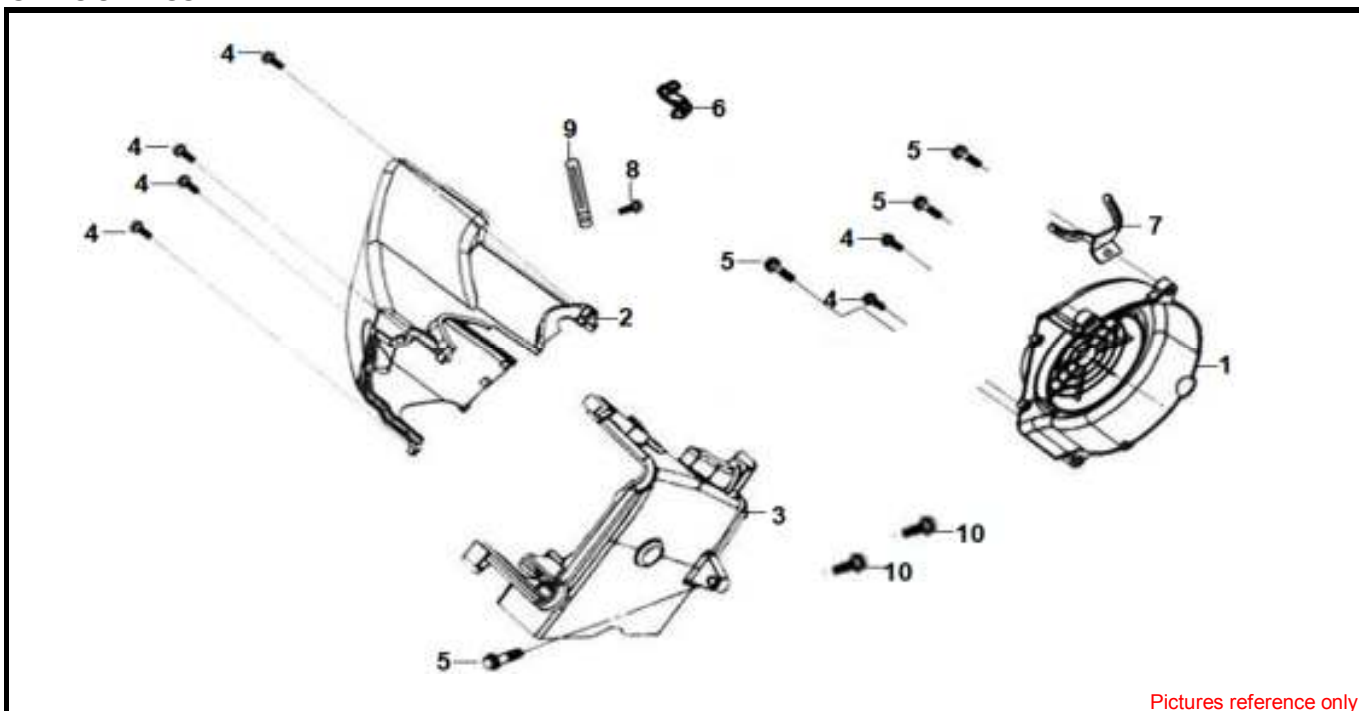
## CONTENTS-FRAME GROUP

<b>F01 Meter • Wind screen</b>	<b>F02 Cable • Switch • Handle Lever</b>	<b>F03 Front cover • Inner box</b>
		
<b>F04 Floor Panel • Center Cover</b>	<b>F05 Body Cover</b>	<b>F06 Steering Stem • Front Cushion</b>
		
<b>F07 ABS Brake System ASSY</b>	<b>F08 Front Wheel</b>	<b>F09 Rear Wheel</b>
		
<b>F10 Seat • Rear Grip</b>	<b>F11 Fuel Tank</b>	<b>F12 Battery • Tool Box</b>
		

# 車架部品目錄

## CONTENTS-FRAME GROUP

F13 Air Cleaner	F14 Exhaust Muffler	F15 Main Stand • Kick Starter Arm
		
F16 Wire Harness	F17 Frame Body • Engine Hanger	
		

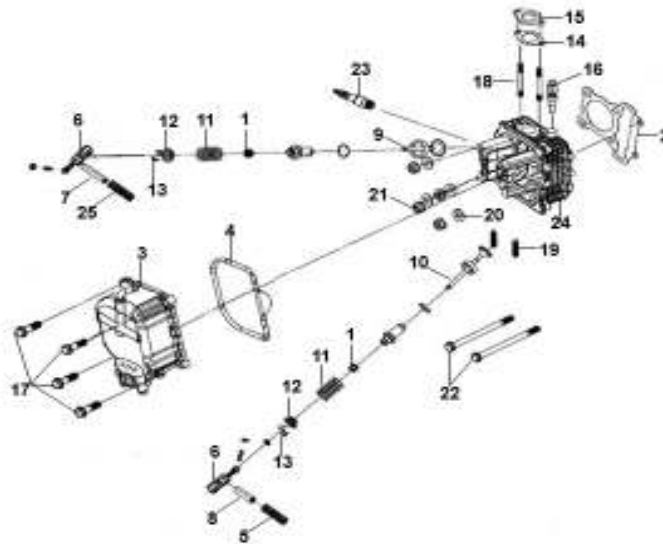


Pictures reference only

NO	PARTS NUMBER	PRICE (RM/pcs)	DESCRIPTION	QTY	EFFECTIVE DATE
01	1961A-X8A-000	16.50	Fan cover COMP.	1	
02	1962A-X8A-000	44.30	Shroud A ASSY.	1	
03	1963A-Z7P-000	24.60	Shroud B ASSY.	1	
04	93904-35340	0.50	Tapping screw 5*16	6	
05	96001-06025-08	1.50	SH. flange bolt 6*25	4	
06	11383-GY6-A00	2.80	Breather tube clamp	1	
07	19613-GY6-900	4.10	Starter motor cord clampe	1	
08	93903-34340	1.20	Tapping screw 4*12	1	
09	94591-17000	1.50	Clip 2*80	1	
10	93903-35340	0.30	Tapping screw 5*16	2	

E02  
CYLINDER HEAD

XC20W1-MYC(JET 14 200/X9L)

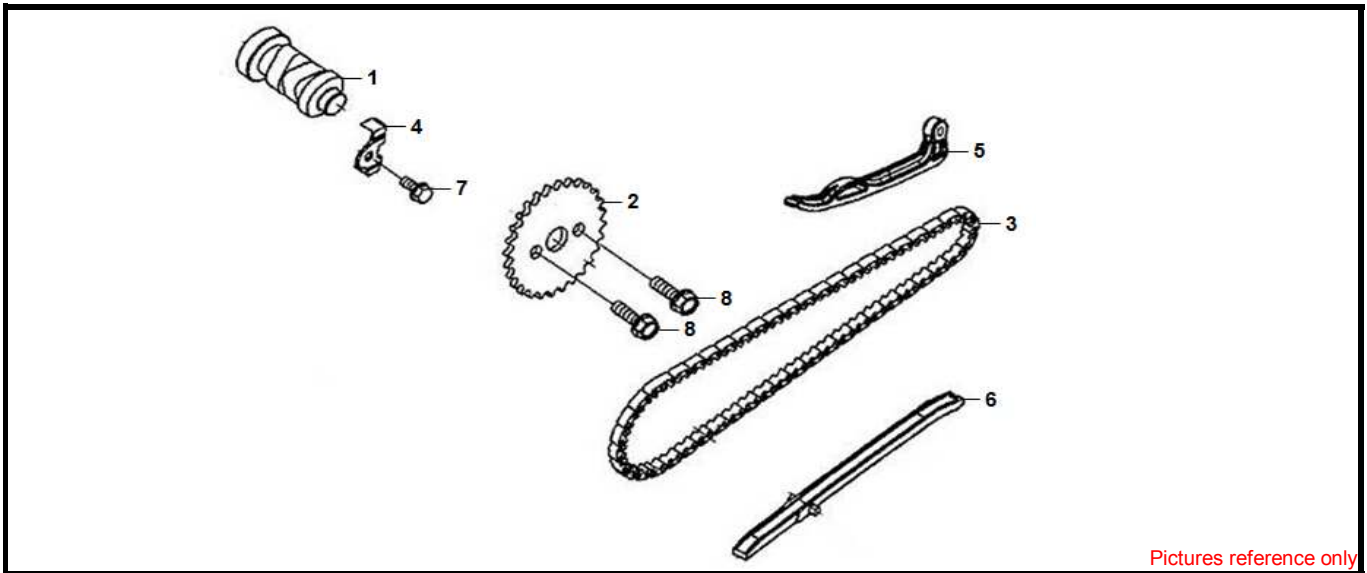


Pictures reference only

NO	PARTS NUMBER	PRICE (RM/pcs)	DESCRIPTION	QTY	EFFECTIVE DATE
01	12209-H6B-0000	7.80	Valve stem seal	2	
02	12251-XJA-000	10.10	Cylinder head gasket	1	
03	12310-A61-000	121.90	Cylinder head cover COMP	1	
03-1	12302-ANL-000	6.50	Breather separate plate	1	
03-2	12308-Z2D-000	1.90	Separate plate gasket	1	
04	12391-F8A-000	28.30	Head cover packing	1	
05	14439-F62-010	1.90	Rocker arm torsion spring	1	
06	1443A-ANL-010	58.40	Valve rocker arm ASSY.	2	
07	14451-ANL-000	13.60	IN. rocker arm shaft	1	
08	14452-ANL-000	10.50	EXH. rocker arm shaft	1	
09	14711-F8A-000	42.50	IN. valve	1	
10	14721-F8A-000	89.70	EXH. valve	1	
11	14751-ARA-000	5.90	Valve spring	2	
12	14771-F6C-A00	7.90	Retainer valve spring	2	
13	14781-A01-A00-A	3.40	Valve cotter	1	
14	16201-Z2D-000	1.30	CARB. insulator gasket	2	
15	16211-ANL-010	5.90	CARB. insulator	1	
16	37880-Z5C-000-M1	143.40	CYL. head TEMP. sensor	1	
17	93903-34180	1.40	Tapping screw 4*8	5	
18	90033-M92-000	1.90	STUD bolt 6*55	2	
19	90034-HMA-000	1.50	Special STUD bolt 8*40	2	
20	90442-028-000	1.70	Sealing washer 8MM	4	
21	94050-08080	0.90	Flange nut 8MM	4	
22	96001-06095-08	1.50	Flange sh bolt 6*95	2	
23	AC-1PCR7HSA-3	19.80	PLUG. spark(NGK CR7HSA)	1	
24	1220C-XMA-000	617.10	Cylinder head ASSY	1	
25	14439-XJA-000	1.10	Rocker arm torsion spring	1	

E03  
CAM SHAFT & CYL. HEAD L. SIDE COVER

XC20W1-MYC(JET 14 200/X9L)



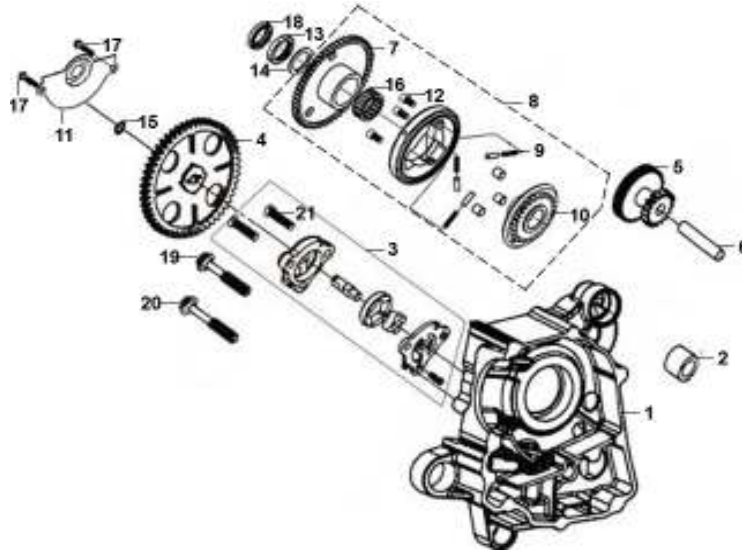
Pictures reference only

NO	PARTS NUMBER	PRICE (RM/pcs)	DESCRIPTION	QTY	EFFECTIVE DATE
01	14100-XJA-010	98.50	Cam shaft COMP.	1	
02	14105-F6A-000	18.60	Cam sprocket	1	
03	1C14401-M92-000	79.60	Cam chain	1	
04	14457-ANL-000	3.50	Cam shaft setting plate	1	
05	14510-F8A-000	18.50	Cam chain tensioner	1	
06	14610-F8A-000	20.50	Cam chain guide	1	
07	96001-06012-04	0.50	SH. flange bolt 6*12	1	
08	90083-B12-000	0.90	Knock bolt 6MM	2	



E04  
R CRANK CASE & OIL PUMP ASSY

XC20W1-MYC(JET 14 200/X9L)

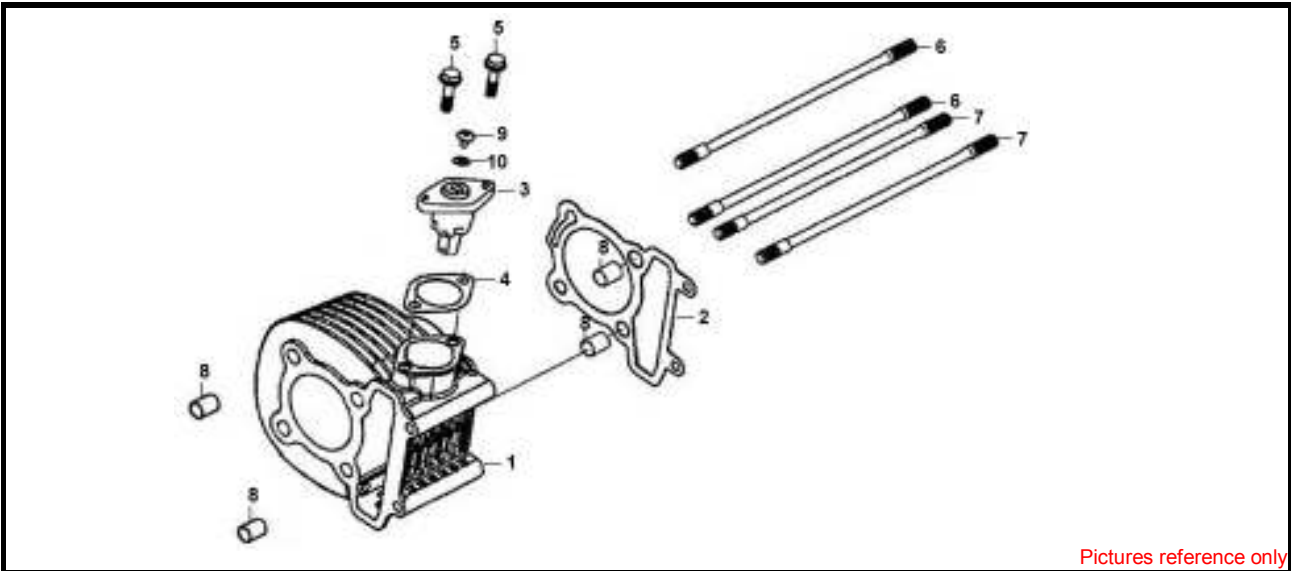


Pictures reference only

NO	PARTS NUMBER	PRICE (RM/pcs)	DESCRIPTION	QTY	EFFECTIVE DATE
01	11100-ARA-000	257.40	R. crank case COMP.	1	
02	11102-M9Q-300	7.60	ENG. hanger rubber bush	1	
03	15100-F6C-000	60.50	Oil pump ASSY.	1	
04	15133-F6C-000	13.60	Oil pump driven gear	1	
05	28101-GY6-900	24.10	Starter reduction gear	1	
06	28102-GY6-900	1.90	Start. red. gear shaft	1	
07	28110-VVC-000	50.70	Start. clutch gear COMP	1	
08	2812A-XJA-000	210.00	Starting clutch outer ASSY.	1	
09	28124-XJA-000	0.30	Starter clutch roller spring	3	
10	28125-XJA-000	84.30	Starting clutch flange COMP.	1	
11	15711-M92-000	3.60	Oil pump separator	1	
12	90002-XJA-000	1.10	Flat rivet	3	
13	90201-GY6-900	5.20	Lock nut 22MM	1	
14	90403-M92-000	2.20	Thrust washer 22.2*31*1.5	1	
15	90602-N01-000	0.90	C-clip 8mm	1	
16	91104-M9Q-000-M3	9.50	Needle bearing 28*32*17	1	
17	96001-06012-08	0.90	SH. flange bolt 6X12	2	
18	91201-M9Q-300-M2	8.20	Oil seal 19.8*30*5R	1	
19	96001-06045-08	1.10	Flange bolt 6*45	1	
20	96001-06055-08	1.40	Flange bolt 6*55	1	
21	93600-06025-0H	0.90	Flate screw 6*25	2	

E05  
CYLINDER

XC20W1-MYC(JET 14 200/X9L)

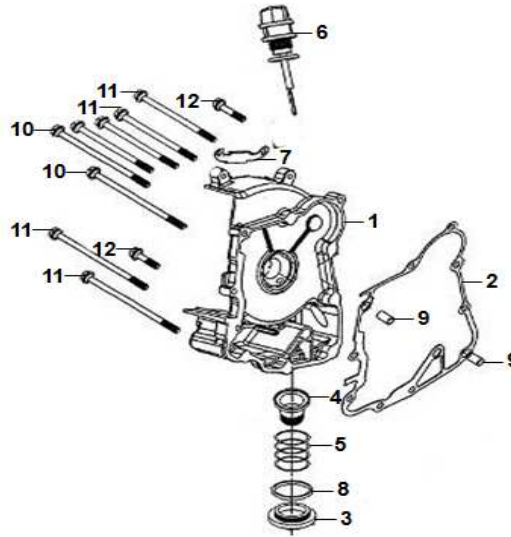


Pictures reference only

NO	PARTS NUMBER	PRICE (RM/pcs)	DESCRIPTION	QTY	EFFECTIVE DATE
01	12100-XJA-010	145.70	Cylinder	1	
02	12191-Z2D-000	10.90	Cylinder gasket	1	
03	14520-GY6-901	67.20	Tensioner lifter ASSY.	1	
04	14523-Z8G-000	0.40	Tensioner lifter gasket	1	
05	90001-M9Q-000	0.90	SH. flange bolt 6*22	2	
06	90031-107-010	8.70	Cylinder stud bolt A	2	
07	90032-A6A-000	7.60	Cylinder stud bolt B	2	
08	90703-M8Q-000	1.50	Dowel pin 10*14	2	
09	90005-KW1-900	0.60	Pan screw 6*6	1	
10	91306-GY6-A00	1.20	O-ring 1.78*9.5	1	

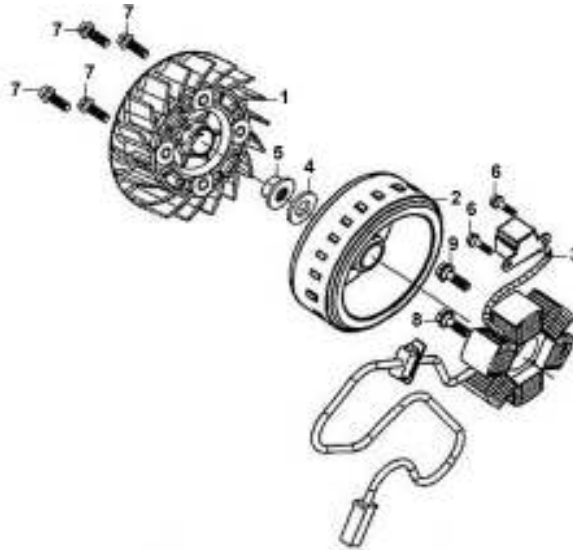
E06  
R. CRANK CASE COVER

XC20W1-MYC(JET 14 200/X9L)



Pictures reference only

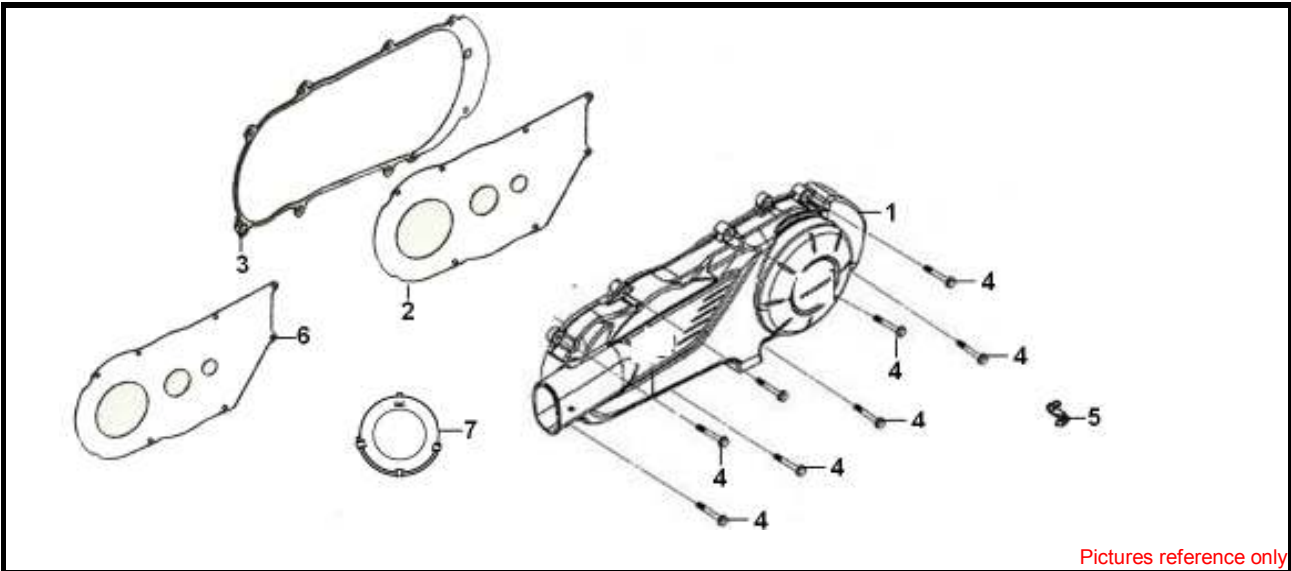
NO	PARTS NUMBER	PRICE (RM/pcs)	DESCRIPTION	QTY	EFFECTIVE DATE
01	11331-ARB-000	150.40	R. crank case cover	1	
02	11394-Z2D-000	12.20	R. cover gasket	1	
03	12361-M9Q-000	4.10	Tappet adjusting hole cap	1	
04	15421-H66-000	11.25	Oil filter screen	1	
05	15426-M9Q-000	0.90	Oil fillter screen SPG.	1	
06	1565A-ARA-000	8.30	Oil level gauge	1	
07	32961-ARA-000	6.10	ACG cord clasper	1	
08	91302-M9T-000	1.90	O-ring 30.8MM	1	
09	94301-08140	1.50	Dowel pin 8*14	2	
10	96001-06100-08	1.40	SH flange bolt 6*100	2	
11	96001-06095-08	1.50	Flange sh bolt 6*95	6	
12	96001-06030-08	1.10	SH. flange bolt 6*30	2	



Pictures reference only

NO	PARTS NUMBER	PRICE (RM/pcs)	DESCRIPTION	QTY	EFFECTIVE DATE
01	19510-GY6-900	15.10	Cooling fan COMP.	1	
02	31110-Z5C-010	85.10	Flywheel COMP	1	
03	31120-X8A-000	228.70	Loop COMP.	1	
04	90440-166-000	1.50	Plane gasket 12MM	1	
05	94050-12000	2.80	Flange nut 12MM	1	
06	92101-05012-0A	0.90	HEX bolt 5*12mm	2	
07	96001-06018-08	0.90	Flange bolt 6*18	4	
08	96001-06028-08	0.90	SH. flange bolt 6*28	1	
09	96001-06020-00	0.80	SH. flange bolt 6*20	1	

L. CRANK CASE COVER

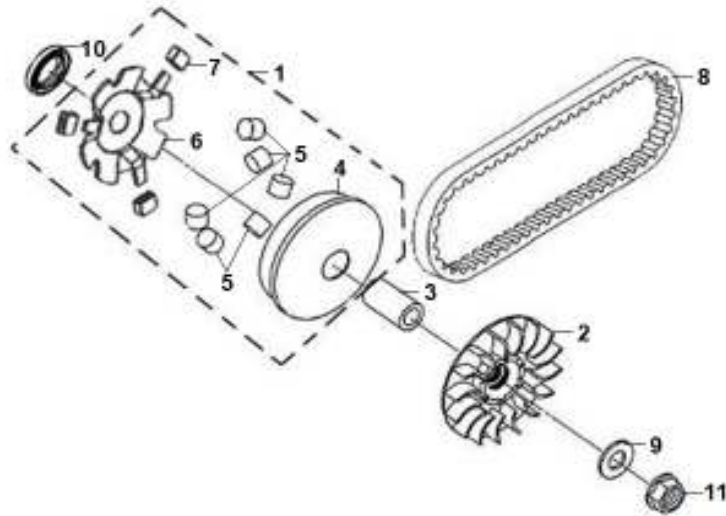


Pictures reference only

NO	PARTS NUMBER	PRICE (RM/pcs)	DESCRIPTION	QTY	EFFECTIVE DATE
01	11341-XMA-020-K1	416.70	L. crank case cover	1	
02	11342-ARA-000	14.20	L. side cover plate	1	
03	11395-XRB-000	36.80	L. side cover gasket	1	
04	96001-06030-00	1.50	Flange bolt SH 6*30	8	
05	11382-ARB-000	1.60	Brake cable clamer B	1	
06	11343-XRB-000	19.20	L. side cover plate gasket	1	
07	11347-XMC-000	1.60	Air guide plate	1	

E09  
MOVABLE DRIVE FACE ASS'Y

XC20W1-MYC(JET 14 200/X9L)

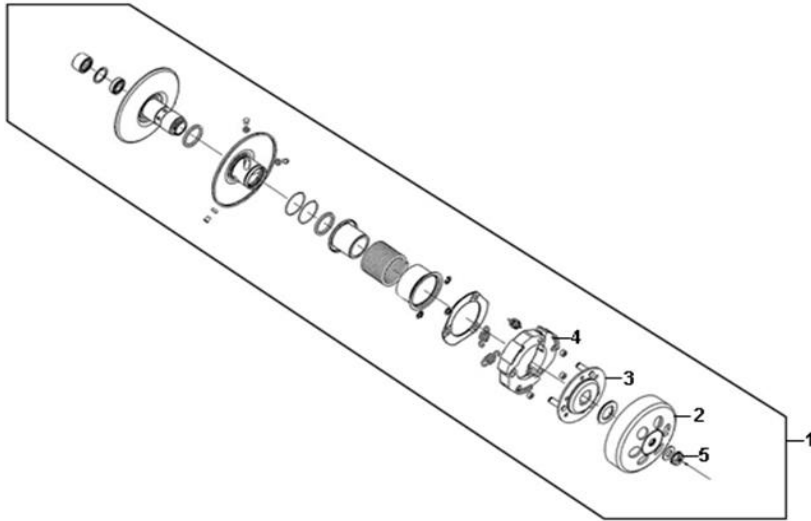


Pictures reference only

NO	PARTS NUMBER	PRICE (RM/pcs)	DESCRIPTION	QTY	EFFECTIVE DATE
01	2211A-F6C-000	102.10	Movable drive face ASSY.	1	
02	22102-M92-000	41.90	Drive face COMP.	1	
03	22105-M92-000	20.80	Drive face bush	1	
04	22110-H5B-000	52.70	Movable drive face COMP.	1	
05	22121-GY6-920-A	14.80	Weight roller COMP.	1	
06	22131-M92-000	20.80	Ramp plate	1	
07	22132-ARA-000-A	5.60	Slide piece	1	
08	1B01XMA02	213.00	Drive belt	1	
09	90440-166-000	1.50	Plane washer 12MM	1	
10	91204-HMA-000-M2	14.20	Oil seal 25*40*7	1	
11	94050-12000	2.80	Flange nut 12MM	1	

E10  
DRIVEN PULLEY ASS'Y

XC20W1-MYC(JET 14 200/X9L)

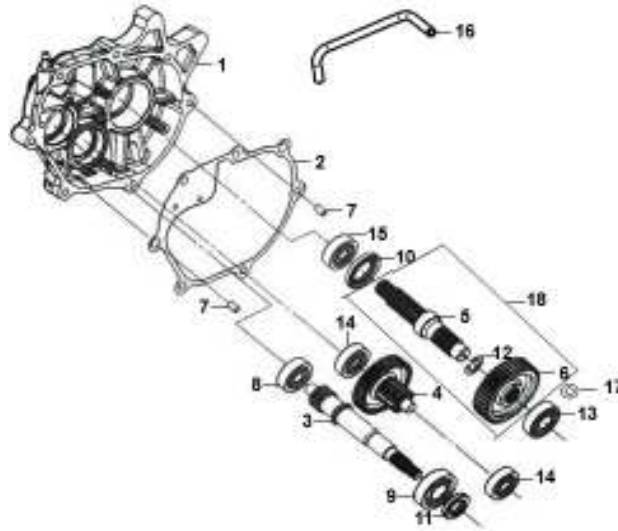


Pictures reference only

NO	PARTS NUMBER	PRICE (RM/pcs)	DESCRIPTION	QTY	EFFECTIVE DATE
01	2301A-F6C-010	390.90	Driven pulley set	1	
02	22101-M9Q-000	78.50	Clutch outer	1	
03	22350-HKE-000	22.50	Drive plate COMP.	1	
04	22530-F6C-000-A	125.00	Clutch weight	1	
05	94050-12000	2.80	Flange nut 12MM	1	

E11  
MISSION CASE&DRIVE SHAFT

XC20W1-MYC(JET 14 200/X9L)



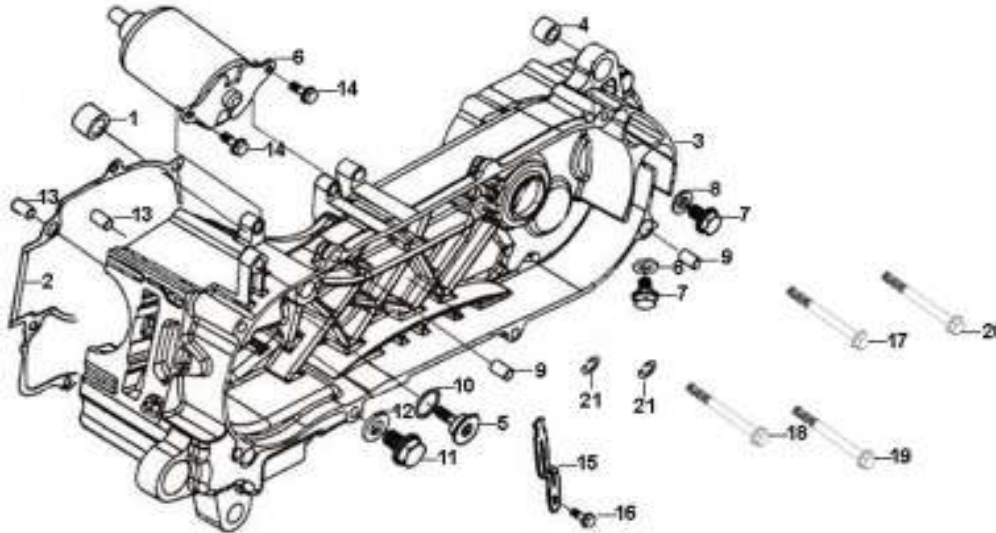
Pictures reference only

NO	PARTS NUMBER	PRICE (RM/pcs)	DESCRIPTION	QTY	EFFECTIVE DATE
01	21200-A6A-000	158.30	Mission case COMP.	1	
02	21395-Z2D-000	13.00	Mission cover gasket	1	
03	23411-A61-000	76.70	Drive shaft	1	
04	23420-Z7P-010-M1	83.80	Counter shaft COMP.	1	
05	23431-AR1-000	69.80	Final shaft	1	
06	23432-AR1-000	129.20	Final gear	1	
07	90703-M8Q-000	1.50	Dowel pin 10*14	2	
08	91003-M8Q-000	44.60	Radial ball BRG. CSB301	1	
09	91104-KN7-670-M1	34.80	Radial ball BRG. CSB204	1	
10	91203-A6A-000	6.70	Oil seal 34*52*8	1	
11	91202-KJ9-003-M1	13.90	Oil seal 20*32*6	1	
12	94510-25000	1.70	EX. cir-clip 25MM	1	
13	96100-62030-00	10.70	Radial ball BRG. 6203	1	
14	96100-63013-00	17.40	Radial ball BRG 6301	2	
15	96150-62050-10	35.60	Ball radial bearing 6205	1	
16	11221-ARA-000	5.90	Mission breather tube	1	
17	90401-ANL-000	3.10	Washer 17*30*1	1	



E12  
L. CRANK CASE

XC20W1-MYC(JET 14 200/X9L)

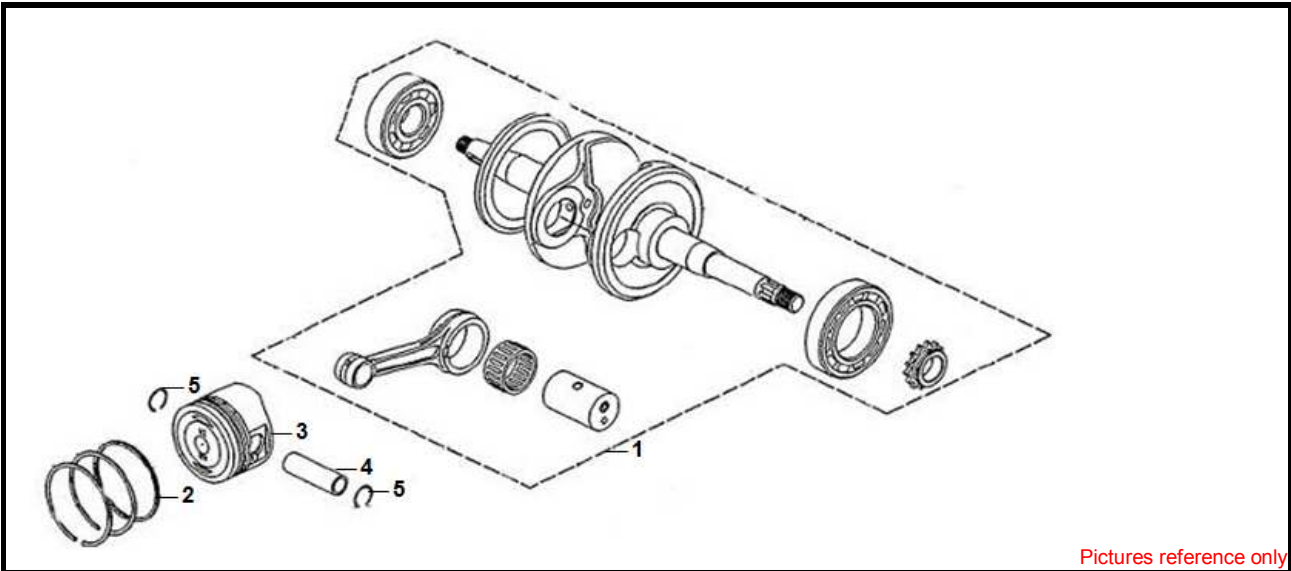


Pictures reference only

NO	PARTS NUMBER	PRICE (RM/pcs)	DESCRIPTION	QTY	EFFECTIVE DATE
01	11102-M9Q-300	7.60	ENG. hanger rubber bush	1	
02	11192-XRB-000	15.00	R. crank case gasket	1	
03	11200-ARA-000	682.40	L. crank case COMP.	1	
04	11203-M9Q-300	8.15	RR. CUSH. UN. rubber bush	1	
05	14531-M9Q-000	6.10	Cam chain tensioner pivot	1	
06	31200-ARA-000	152.40	Start motor ASSY.	1	
07	90103-KN8-000	2.15	Special bolt 8MM	2	
08	90474-333-000-KD	0.90	Washer 8MM	2	
09	90703-M8Q-000	1.50	Dowel pin 10*14	2	
10	91301-GR0-003	1.20	O-ring 15.5*1.5	1	
11	92800-12000	3.00	Drain plug bolt 12MM	1	
12	94109-12000	1.10	Plug drain bolt washer 12mm	1	
13	94301-08140	1.50	Dowel pin 8*14	4	
14	96001-06016-08	1.50	SH. flange bolt 6*16	2	
15	95701-08068-00	2.10	Flange bolt 8*68	1	
16	94591-28000	1.80	Clip 2*80	2	
17	95701-08055-00	1.10	Flange bolt 8*55	2	
18	95701-08060-00	1.90	SH. flange bolt 8*60	1	
19	95701-08065-00	2.10	Flange bolt 8*65	3	

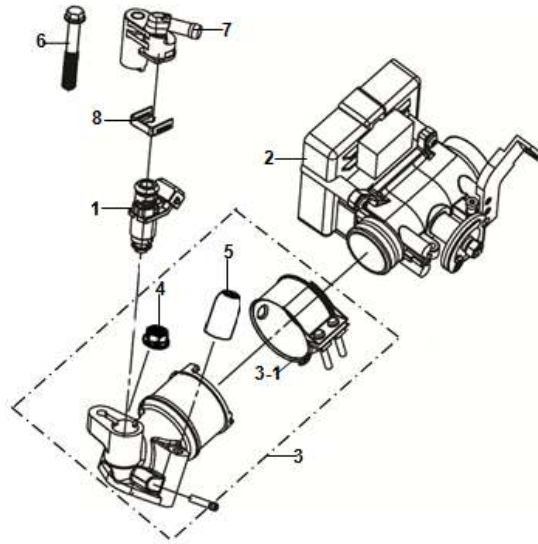
E13  
CRANK SHAFT

XC20W1-MYC(JET 14 200/X9L)



Pictures reference only

NO	PARTS NUMBER	PRICE (RM/pcs)	DESCRIPTION	QTY	EFFECTIVE DATE
01	13000-XJA-000	331.30	Crank shaft COMP	1	
02	13010-VVC-000	51.40	Piston ring set	1	
03	13101-XJA-000	38.70	Piston	1	
04	13111-M4Q-000	11.20	Piston pin	1	
05	94601-15000-00	0.40	Piston pin clip	2	

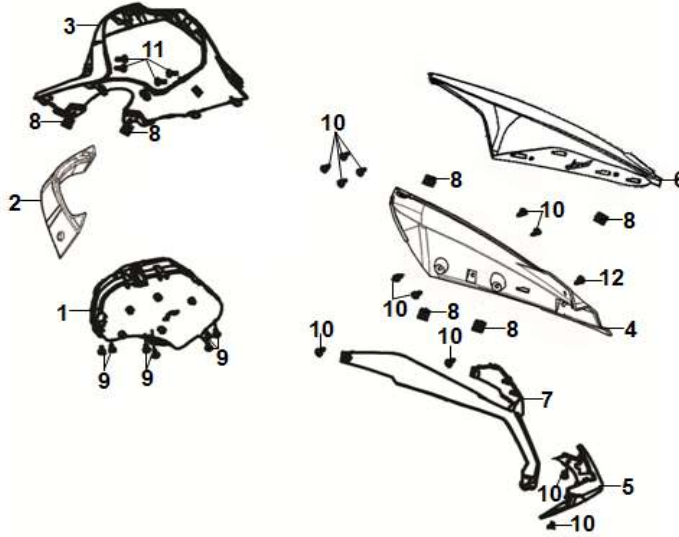


Pictures reference only

NO	PARTS NUMBER	PRICE (RM/pcs)	DESCRIPTION	QTY	EFFECTIVE DATE
01	06414-HKK-000	291.60	Fuel injector	1	
02	1640A-XMC-000	1107.40	ECU set	1	
03	1711A-Z7P-000	129.50	Inlet pipe ASSY.	1	
03-1	17256-MA1-000	19.20	Insulator band	1	
04	94050-06080	1.10	Flange nut 6MM	1	
05	90086-MA1-000	2.50	Special nut	1	
06	96001-06045-00	1.50	SH. flange bolt 6*45	1	
07	17120-XJA-000	7.60	Fuel injector cap ASSY.	1	
08	17121-H6Y-000	2.70	Fuel injector cap clip	1	

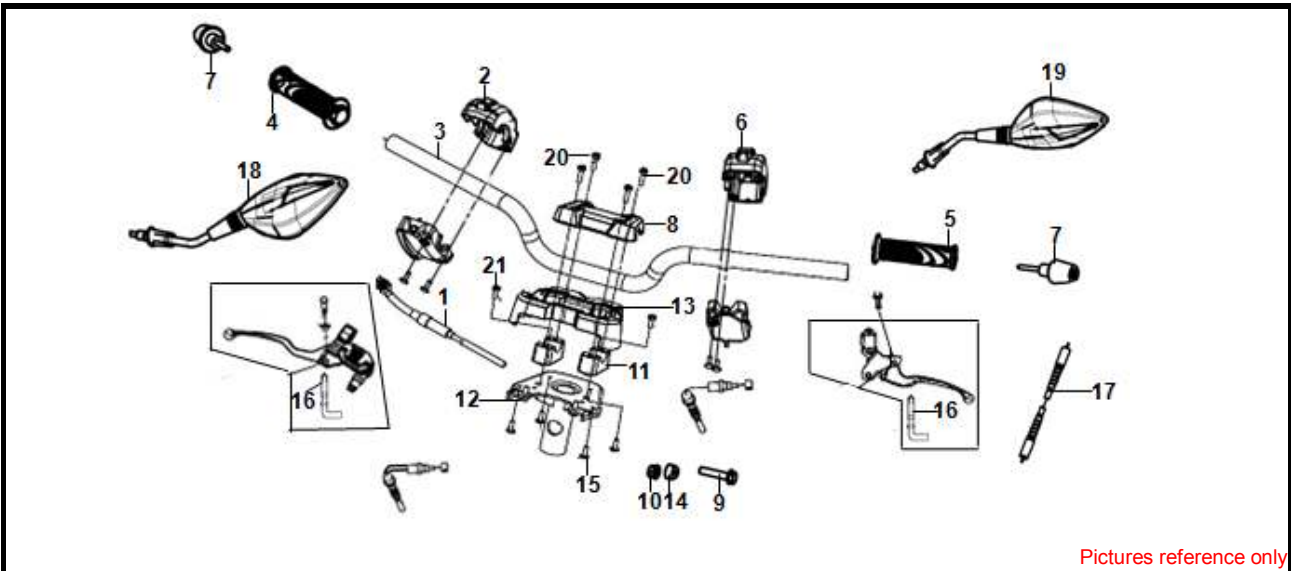
F01  
Meter • Wind screen

XC20W1-MYC(JET 14 200/X9L)



Pictures reference only

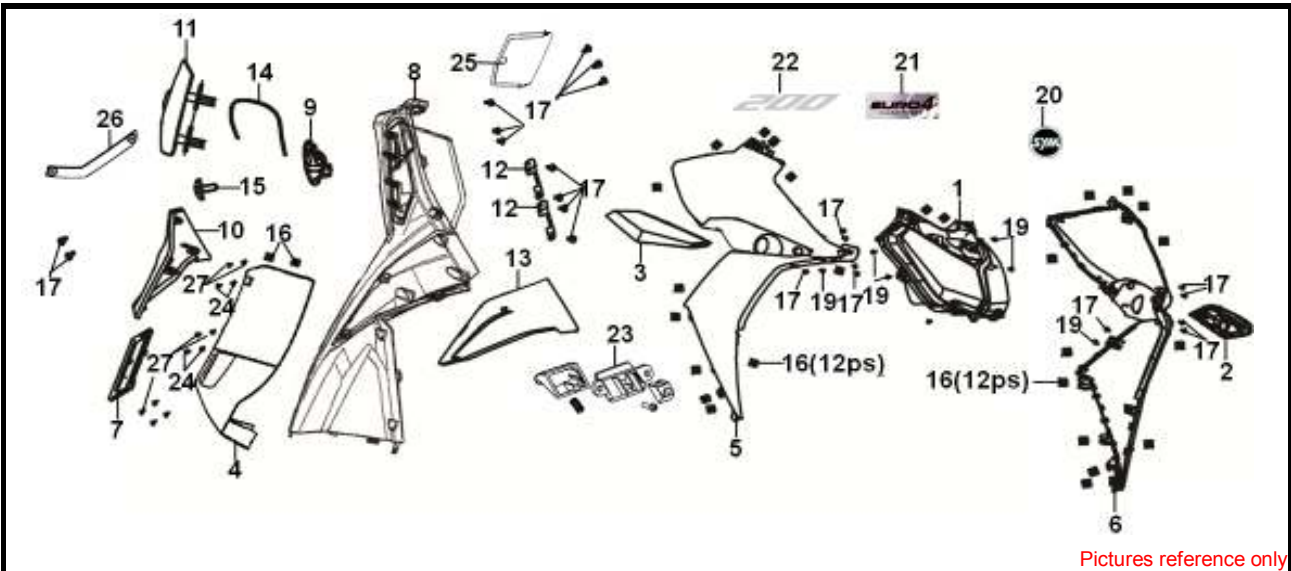
NO	PARTS NUMBER	PRICE (RM/pcs)	DESCRIPTION	QTY	EFFECTIVE DATE
01	37200-X91-900	748.80	Speedmeter ASSY	1	
02	53206-X8A-000	61.90	Handle down cover B	1	
03	53208-X9B-000	30.10	Meter panel	1	
04	53209-X9B-000	24.20	Meter visor	1	
05	64303-X8A-000	4.50	Head light low cover	1	
06	67100-X8A-000	105.60	Wind screen	1	
07	67110-X8A-000-AE	74.00	Wind screen garnish	1	
08	90302-SA4-900	0.60	Spring nut 4mm	6	
09	93903-24340	0.50	Tapping screw 4*12	6	
10	93903-44340	0.50	Tapping screw 4*12	12	
11	93903-45240	2.20	Tapping screw 5*12	4	
12	93903-34440	0.50	Tapping screw 4*16	1	



Pictures reference only

NO	PARTS NUMBER	PRICE (RM/pcs)	DESCRIPTION	QTY	EFFECTIVE DATE
01	17910-X8A-000	37.30	Throt cable COMP	1	
02	35150-X8A-000	70.30	R. handle SW.	1	
03	53100-X8A-000	81.80	STRG. handle	1	
04	53140-XPA-000	11.50	RH. HNDL. grip	1	
05	53166-XPA-000	7.10	LH. HNDL. grip	1	
06	35200-X8A-000	100.40	L. handle SW. UNIT	1	
07	53104-ZBC-000	32.30	Handle pipe WT.	2	
08	53131-AWU-000-KH	63.50	HNDL. pipe up. holder	1	
09	90106-AAA-000	3.60	FR. disk bolt	1	
10	90304-AAA-000	2.20	Flange. u nut 10mm	1	
11	53132-AWU-000	34.70	Handle pipe down hodler	2	
12	53231-X8A-000	76.70	Handle pipe holder COMP	1	
13	53205-X8A-000	76.60	handle down cover	1	
14	53125-CT1C-A00	9.60	HNDL. set collar	1	
15	93903-34340	1.20	Tapping screw 4*12	4	
16	35340-ARB-000	18.00	Stop SW. ASSY	2	
17	44870-L4C-000	214.30	Speedometer cable COMP	1	
18	88110-XPA-000-K	60.50	R. RR. back mirror	1	
19	88120-XPA-000-K	60.50	L. back mirror	1	
20	96700-06028-49	3.90	Socket bolt 6*28	4	
21	96700-08020-02	1.60	Socket bolt 8*20	2	

Front cover • Inner box

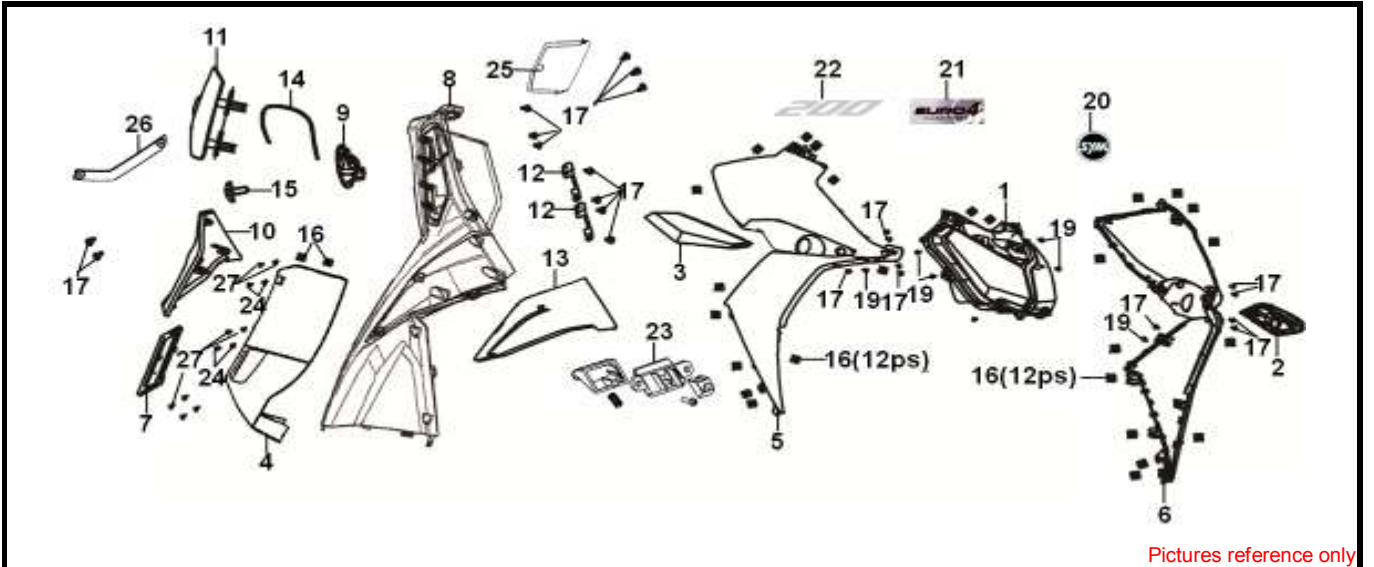


Pictures reference only

NO	PARTS NUMBER	PRICE (RM/pcs)	DESCRIPTION	QTY	EFFECTIVE DATE
01	33100-X8A-000	786.80	Head light ASSY.	1	
02	33450-X8A-000	74.40	FR. L. winker ASSY	1	
03	33400-X8A-000	74.40	FR. R. winker ASSY	1	
04	64300-X8A-000	82.50	FR. UND. cover	1	
05	64302-X8A-000-RD	223.60	L FR. COVER(R-010CA)	1	
05	64302-X8A-000-BP	223.60	L FR. COVER(BU-289S)	1	
05	64302-X8A-000-WA	223.60	L FR. COVER(WH-006)	1	
05	64302-X8A-000-AJ	199.60	L FR. COVER(BR-497U)	1	
05	64302-X8A-000-KC	199.60	L FR. COVER(BK-007U)	1	
05	64302-X8A-000-AG	199.60	L FR. COVER(GY-010U)	1	
06	64301-X8A-000-RD	223.60	R FR. COVER(R-010CA)	1	
06	64301-X8A-000-BP	223.60	R FR. COVER(BU-289S)	1	
06	64301-X8A-000-WA	223.60	R FR. COVER(WH-006)	1	
06	64301-X8A-000-AJ	199.60	R FR. COVER(BR-497U)	1	
06	64301-X8A-000-KC	199.60	R FR. COVER(BK-007U)	1	
06	64301-X8A-000-AG	199.60	R FR. COVER(GY-010U)	1	
07	64318-ALA-000-BK	4.80	Frame number lid	1	
08	81131-X8A-810	99.70	Inner box	1	
09	81132-X8A-000	4.10	Luggage hook	1	
10	81143-X8A-000-AE	60.10	LH. Inner box garnish	1	
11	81141-X8A-010	10.60	Inner box lid	1	
12	81142-X8A-000	2.80	Inner box lid garnish	2	
13	81133-X8A-000-AE	60.10	RH. Inner box garnish	1	
14	81146-X8A-000	2.00	Inner box seal	1	
15	96001-06016-04	0.90	SH. flange bolt 6*16	1	
16	90302-SA4-900	0.60	Spring nut 4mm	28	
17	93903-34340	1.20	Tapping screw 4*12	22	
18	93903-35240	0.60	Tapping screw 5*12	2	
19	93903-45240	2.20	Tapping screw 5*12	6	
20	87552-L6G-900	36.50	FR. cover lid emblem	1	

•Please check the color & stripe information according to the color index !

Front cover • Inner box



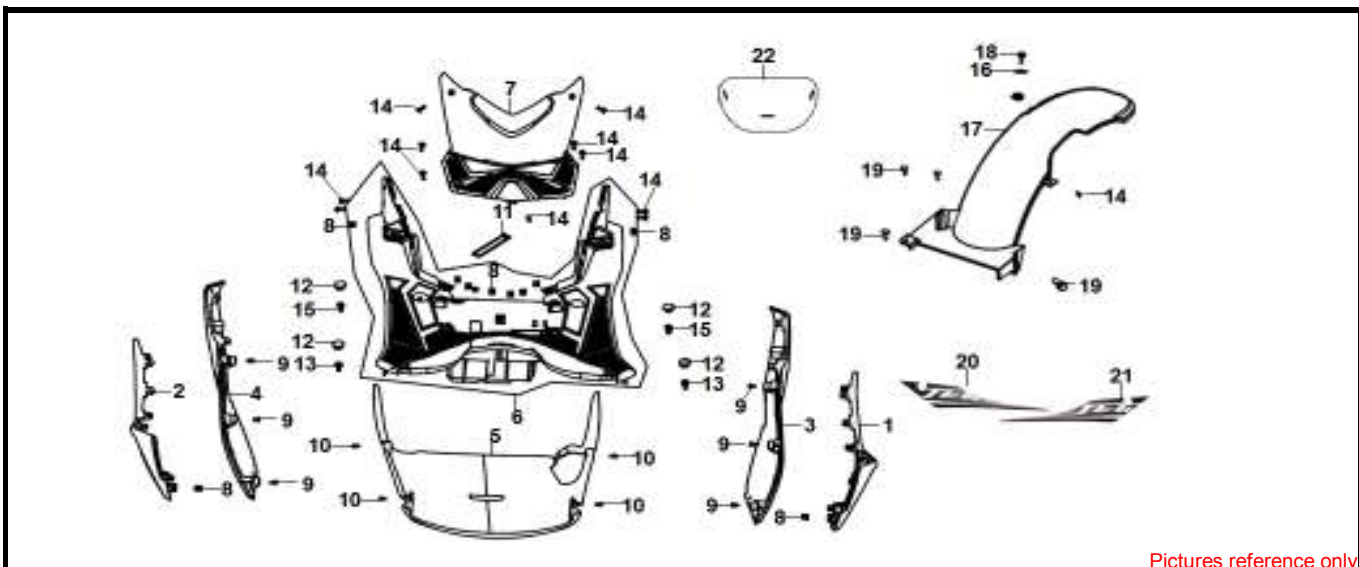
Pictures reference only

NO	PARTS NUMBER	PRICE (RM/pcs)	DESCRIPTION	QTY	EFFECTIVE DATE
21	87121-ANT-000	0.90	RURO 4 STRIPE	1	
22	87130-X9A-000	1.40	R/L.under spoiler stripe	2	
23	8116A-L9M-000-TW	25.70	INNER BOX LID LOCK ASS'Y	1	
24	90109-42168	1.10	TAPPING SCREW 4.2*16	4	
25	81151-X8A-000	7.60	SPLASH BOARD COVER	1	
26	81161-X8A-000	1.10	INNER BOX SCREW	1	
27	93903-45340	0.90	TAPPING SCREW 5X16	8	

F04

XC20W1-MYC(JET 14 200/X9L)

Floor Panel • Center Cover



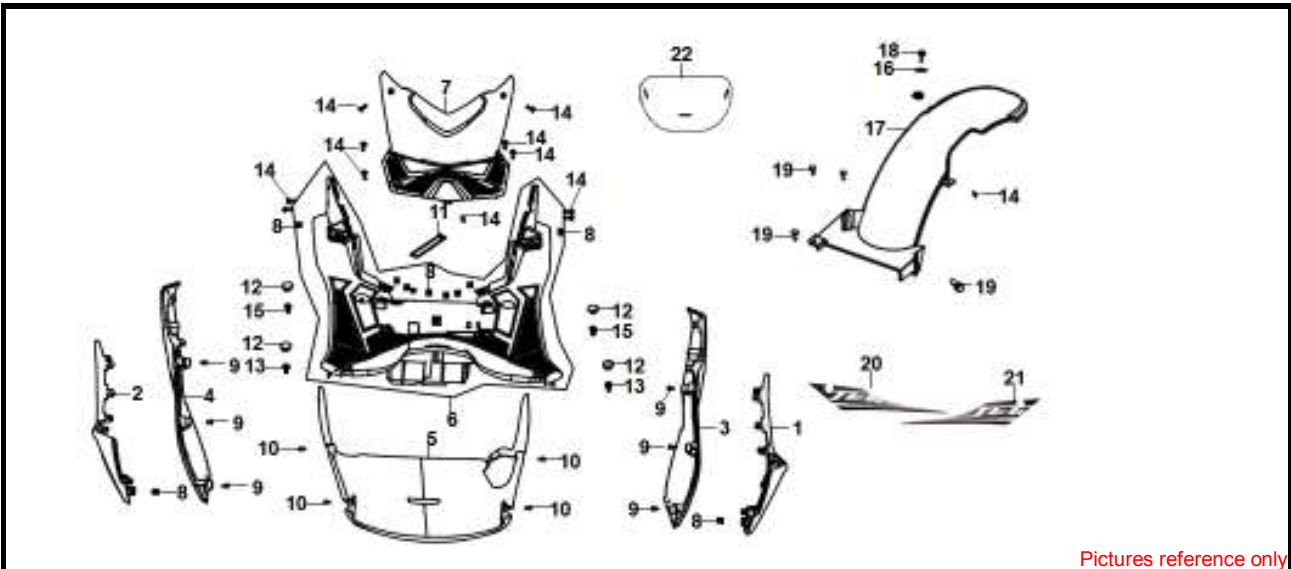
Pictures reference only

NO	PARTS NUMBER	PRICE (RM/pcs)	DESCRIPTION	QTY	EFFECTIVE DATE
01	83520-X8A-000	15.00	RH. FR. side cover	1	
02	83620-X8A-000	15.00	LH. FR. side cover	1	
03	83530-X8A-000-AE	90.10	RH. RR. side cover	1	
04	83630-X8A-000-AE	90.10	LH. RR. side cover R	1	
05	50611-APA-000	72.80	Under cover	1	
06	64310-X8A-000	120.20	Floor panel	1	
07	50326-X8A-000	25.00	Battery cover	1	
08	90302-SA4-900	0.60	Spring nut 4mm	11	
09	93903-34340	1.20	Tapping screw 4*12	6	
10	93404-06016-00	0.90	Washer bolt 6*16	6	
11	50324-X8A-000	14.40	Battery band	1	
12	50612-APA-000	3.50	FLOOR STEP CAP A	4	
13	90111-AAA-000	1.90	Flange bolt 6mm (GREEN)	4	
14	90109-42168	1.10	Tapping screw 4.2*16	10	
15	93404-06030-07	1.70	Washer bolt 6*30	2	
16	64306-X01-000	1.60	Collar	1	
17	80105-X8A-000	32.80	RR. mudguard	1	
18	95801-06025-04	0.90	Flange bolt 6*25	1	
19	95801-06012-04	0.50	Flange bolt 6*12	5	
20	87131-X8A-000-T2	7.60	R. side cover stripe(BLACL)	1	
20	87131-X8A-000-T4	7.60	R. side cover stripe(COFFE)	1	
21	87132-X8A-000-T2	7.60	L. side cover stripe(BLACL)	1	
21	87132-X8A-000-T4	7.60	L. side cover stripe(COFFE)	1	

•Please check the color & stripe information according to the color index !

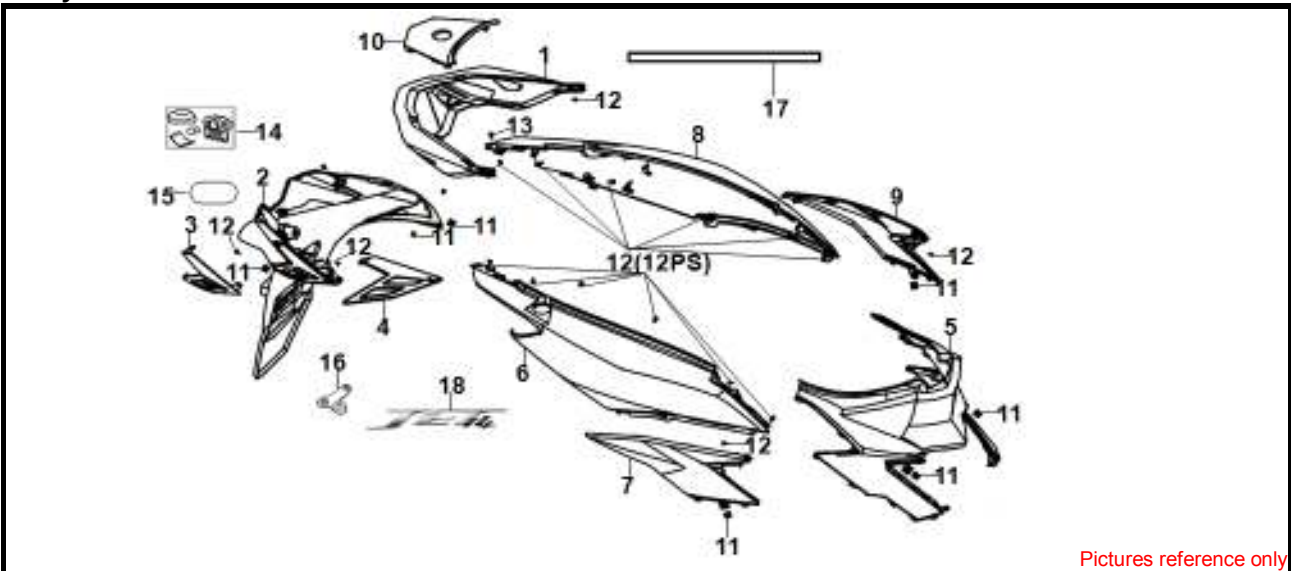
Jul-19





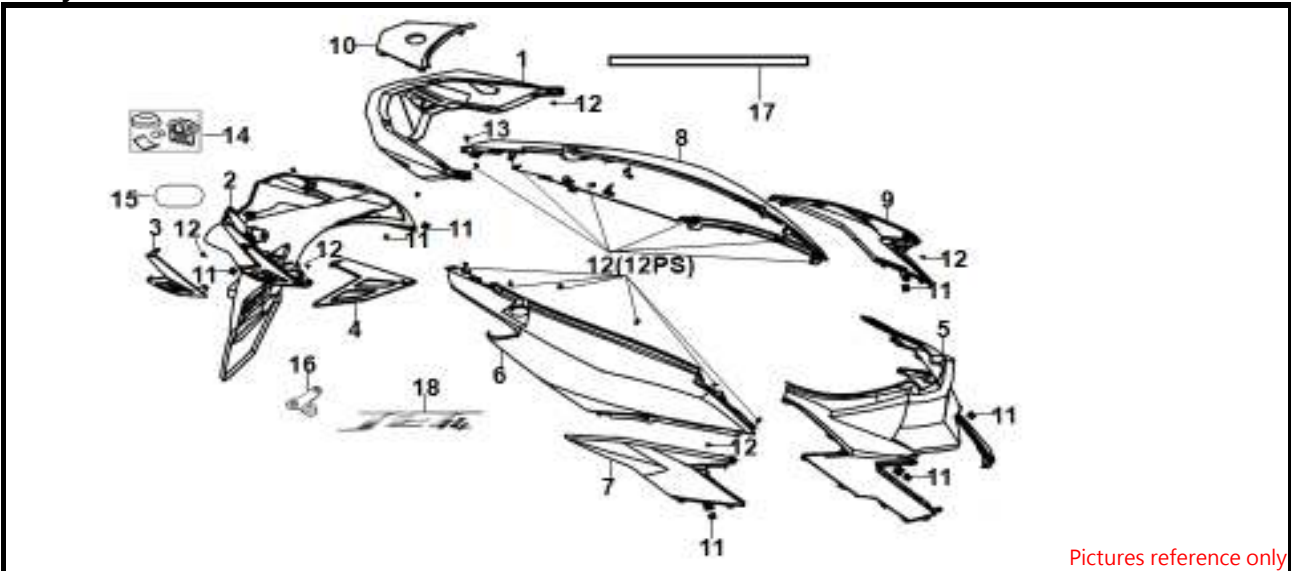
Pictures reference only

NO	PARTS NUMBER	PRICE (RM/pcs)	DESCRIPTION	QTY	EFFECTIVE DATE
22	80104-ZBC-000	9.00	SPLASH BOARD PLATE	1	



Pictures reference only

NO	PARTS NUMBER	PRICE (RM/pcs)	DESCRIPTION	QTY	EFFECTIVE DATE
01	33700-X8A-000	465.80	Tail light ASSY	1	
02	80100-X8A-000	65.90	RR. fender	1	
03	80107-X8A-000	49.60	RH. RR. fender garnish	1	
04	80108-X8A-000	49.60	LH. RR. fender garnish	1	
05	80151-X8A-000	46.50	Center cover	1	
06	83500-X8A-000-RD	212.10	R BODY COVER(R-010CA)	1	
06	83500-X8A-000-BP	212.10	R BODY COVER(BU-289S)	1	
06	83500-X8A-000-WA	212.10	R BODY COVER(WH-006)	1	
06	83500-X8A-000-AJ	151.90	R BODY COVER(BR-497U)	1	
06	83500-X8A-000-KC	151.90	R BODY COVER(BK-007U)	1	
06	83500-X8A-000-AG	151.90	R BODY COVER(GY-010U)	1	
07	83510-X8A-000-AE	98.60	R. Body lower cover	1	
08	83600-X8A-000-RD	212.10	L BODY COVER(R-010CA)	1	
08	83600-X8A-000-BP	212.10	L BODY COVER(BU-289S)	1	
08	83600-X8A-000-WA	212.10	L BODY COVER(WH-006)	1	
08	83600-X8A-000-AJ	151.90	L BODY COVER(BR-497U)	1	
08	83600-X8A-000-KC	151.90	L BODY COVER(BK-007U)	1	
08	83600-X8A-000-AG	151.90	L BODY COVER(GY-010U)	1	
09	83610-X8A-000-AE	98.60	L. Body lower cover	1	
10	83650-X8A-000-RD	79.70	RR center cover(R-010CA)	1	
10	83650-X8A-000-BP	79.70	RR center cover(BU-289S)	1	
10	83650-X8A-000-WA	79.70	RR center cover(WH-006)	1	
10	83650-X8A-000-AJ	35.00	RR center cover(BR-497U)	1	
10	83650-X8A-000-KC	35.00	RR center cover(BK-007U)	1	
10	83650-X8A-000-AG	35.00	RR center cover(GY-010U)	1	
11	90302-SA4-900	0.60	Spring nut 4mm	8	
12	93903-34340	1.20	Tapping screw 4*12	17	
13	93903-44340	0.50	Tapping screw 4*12	1	
14	33740-Z6A-000	22.30	License light	1	
15	33741-N7B-E10	7.00	RR. reflector	1	

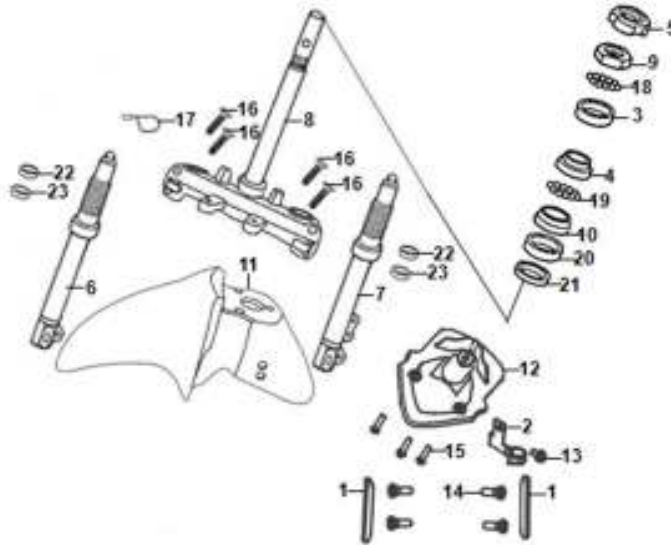


Pictures reference only

NO	PARTS NUMBER	PRICE (RM/pcs)	DESCRIPTION	QTY	EFFECTIVE DATE
16	80106-ARA-000	8.40	RR. Mudguard plate	1	
17	80103-ARA-000	1.00	Body cover rubber	1	
18	87128-X8A-000	22.30	Body cover emblem	2	

F06  
Steering Stem • Front Cushion

XC20W1-MYC(JET 14 200/X9L)

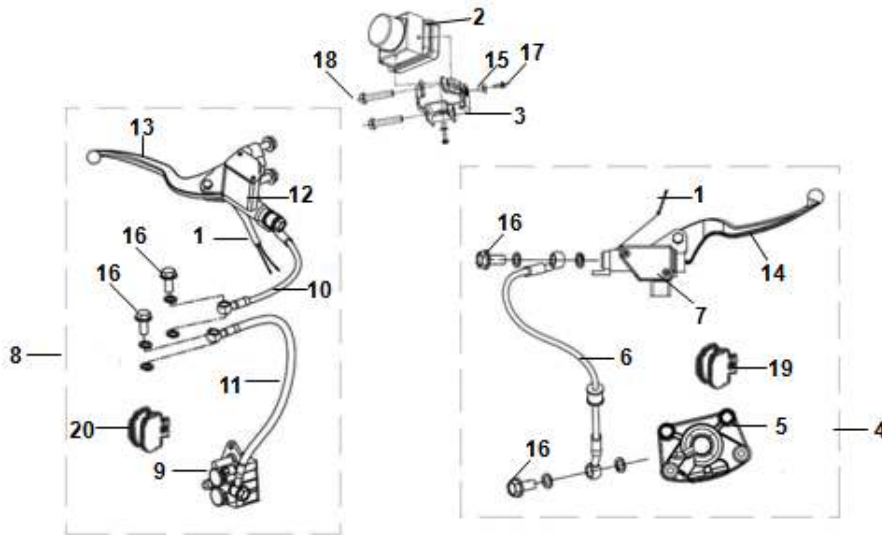


Pictures reference only

NO	PARTS NUMBER	PRICE (RM/pcs)	DESCRIPTION	QTY	EFFECTIVE DATE
01	33742-X8A-000	7.10	Side reflector	2	
02	45156-AAA-000	5.90	FR brake hose clamp	1	
03	50301-M9Q-000-XS	-	STRG. up race ball	1	
04	50302-M9Q-000-XS	6.00	Ball race	1	
05	50306-M9Q-000-XS	3.90	STRG. stem lock nut	1	
06	51400-X8A-000-K-C	194.70	FR. RH. cushion ASSY	1	
07	51500-X8A-000-K-C	194.70	FR. LH. cushion ASSY	1	
08	53200-X8A-000	231.00	Steering stem COMP	1	
09	53211-M9Q-000-CN2	9.00	STRG. top cone race	1	
10	53212-M9Q-000-XS	-	Race cone	1	
11	61100-X8A-000-K	186.00	FR. fender	1	
12	61110-X8A-000	9.10	FR. inner mudguard	1	
13	90115-G02-000	1.40	Flange bolt 6*16	1	
14	90164-AAA-000	2.80	Special screw 6mm (GREEN)	4	
15	95801-06012-04	0.50	Flange bolt 6X12	3	
16	95801-08040-04	1.40	Flange bolt 8X40	4	
18	50303-AAA-000	18.00	Up steel balls and retainer ASSY	1	
19	50304-AAA-000	18.00	Lower steel balls and retainer ASSY	1	
20	53214-M9Q-000	-	STRG. head dust seal	1	
21	53215-M9Q-000	-	STRG. head dust seal washer	1	
22	51403-APA-000	18.70	Oil seal	2	
23	51404-APA-000	9.20	Dust seal	2	

F07  
ABS Brake System ASSY

XC20W1-MYC(JET 14 200/X9L)

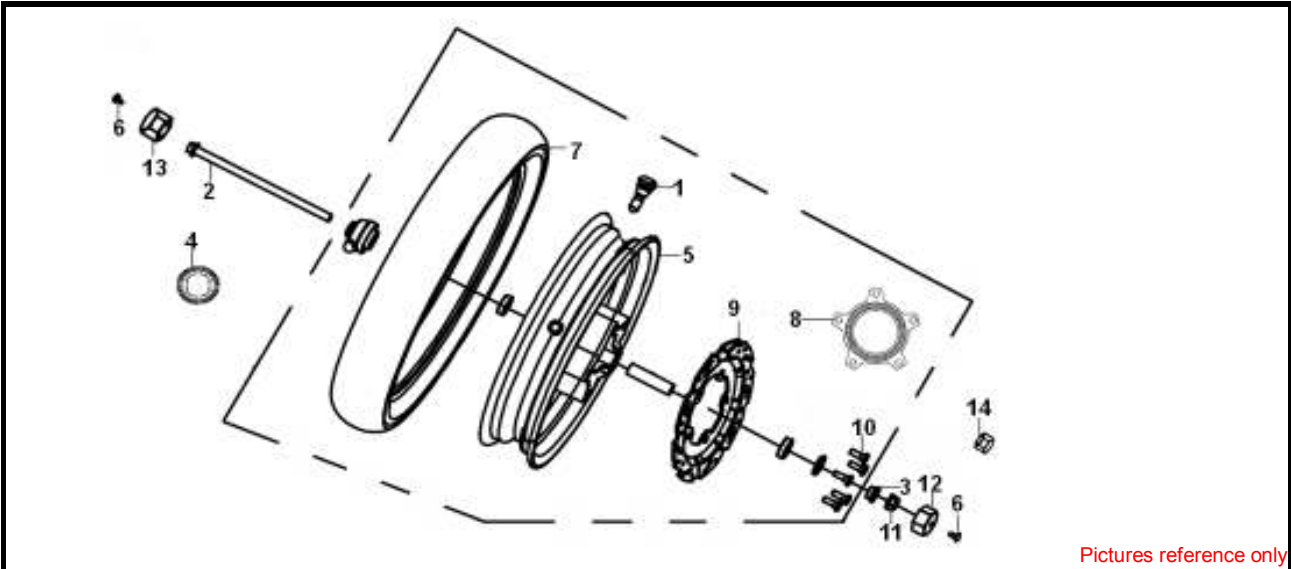


Pictures reference only

NO	PARTS NUMBER	PRICE (RM/pcs)	DESCRIPTION	QTY	EFFECTIVE DATE
01	35342-AE1-000	7.60	FR stop SW cord COMP.	2	
02	38730-XMC-000	2620.20	ABS. hydraulic circuit unit(fill )	1	
03	38731-XMC-000	39.40	ABS hydraulic circuit unit support	1	
04	4350A-X9A-000	437.70	RR brake ASSY(CALIPER SILVER)	1	
05	43100-XJA-000	235.70	RR. caliper ASSY	1	
06	43126-ZAG-000	127.90	RR. brake hose COMP	1	
07	43500-ARB-010	140.70	RR. M/C ASSY	1	
08	4550A-X9A-000	483.80	FR brake ASSY	1	
09	4510A-X9A-000	324.40	FR lower brake COMP	1	
10	45124-XMC-000	96.90	FR brake hose A COMP.	1	
11	45125-X9A-000	86.00	FR brake hose B COMP.	1	
12	4550B-X9A-000	271.60	FR up brake COMP	1	
13	53175-T6V-000-XS	-	R. lever STRG. handle	1	
14	53178-ARB-010	26.60	L. STRG. handle lever	1	
15	61201-B9A-000	4.70	FR. fender collar	2	
16	90145-M9Q-000	4.20	Oil bolt 10*22	4	
17	95801-06018-04	0.90	Flange bolt 6*18	2	
18	95801-08045-04	1.90	Flange bolt 8X45	2	
19	43105-ARB-000-A	36.30	FR.brake pad A	1	
20	45105-APA-000-A	16.90	FR.brake pad B	1	

F08  
Front Wheel

XC20W1-MYC(JET 14 200/X9L)

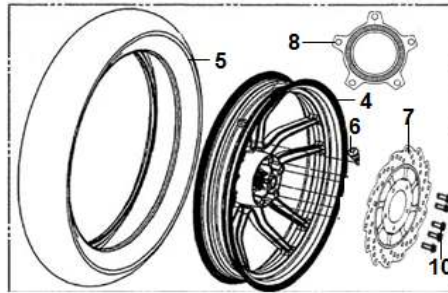
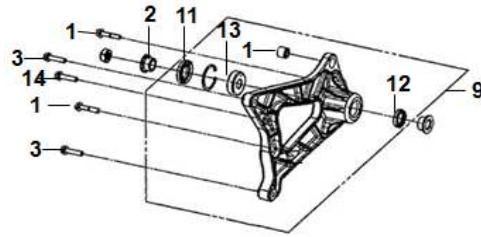


Pictures reference only

NO	PARTS NUMBER	PRICE (RM/pcs)	DESCRIPTION	QTY	EFFECTIVE DATE
01	42753-ABA-000	11.20	Rim valve	1	
02	44301-APG-900	25.10	FR. wheel axle	1	
03	44311-GW0-910	9.30	Collar FR. wheel side	1	
04	91258-M9Q-000-M2	9.55	Speedometer gear box seal	1	
05	44600-X9A-000	447.40	FR.wheel COMP	1	
06	93600-04010-04	1.10	Flat screw 4*10	2	
07	44710-X8A-000	357.80	FR. tire	1	
08	45120-XMC-000	14.80	FR ABS detective disk	1	
09	45121-XMC-000	154.30	FR. brake disk	1	
10	90106-N02-000	-	FR. disk bolt 8X24	5	
11	90306-X11-000	6.20	Self lock nut 12MM	1	
12	44314-N7B-E10	2.10	L. FR. wheel axle rubber	1	
13	44315-N7B-E10	2.10	R. FR. wheel axle rubber	1	
14	44312-ZBC-000	18.80	FR. Wheel L. Side collar	1	

F09  
Rear Wheel

XC20W1-MYC(JET 14 200/X9L)

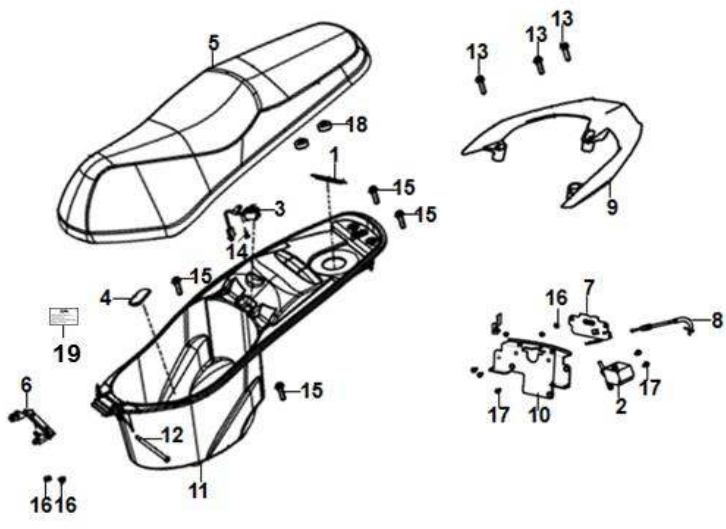


Pictures reference only

NO	PARTS NUMBER	PRICE (RM/pcs)	DESCRIPTION	QTY	EFFECTIVE DATE
01	95801-08064-07	1.90	Flange bolt 8*64	2	
02	42311-H9A-000	24.40	RR. axle collar	1	
03	95801-08045-04	1.90	Flange bolt 8*45	2	
04	42601-X9A-000	401.30	RR. cast wheel COMP	1	
05	42710-X8A-000	366.40	RR. tire	1	
06	42753-ABA-000	11.20	Rim vavle	1	
07	43121-XJA-000	87.30	RR. brake disk(silver)	1	
08	43120-XJE-000	10.40	RR ABS detective disk	1	
09	5210A-ARB-000	225.90	RR. fork ASSY	1	
10	90106-N02-000	-	RR. disk bolt	5	
11	90754-H9A-000	3.30	Dust seal 26*47*7	1	
12	90755-ARB-000	7.60	Dust seal 26*36*7	1	
13	91051-H9A-000	24.30	Ball radial bearing	1	
14	95801-08035-04	1.60	Flange bolt 8*35	1	

F10  
Seat • Rear Grip

XC20W1-MYC(JET 14 200/X9L)



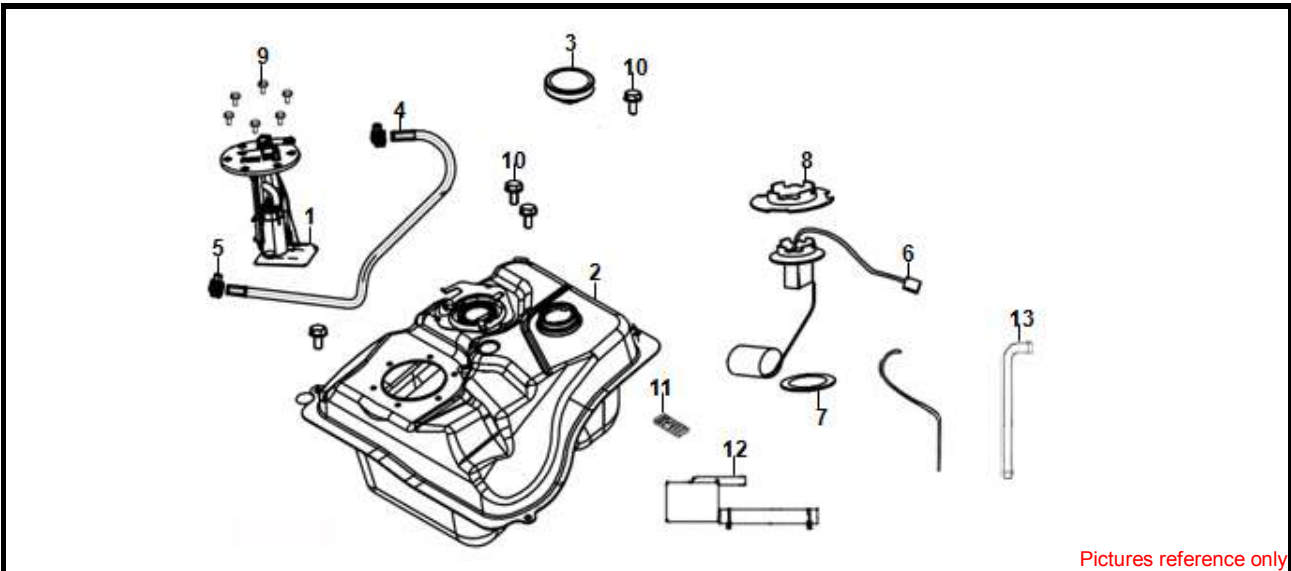
Pictures reference only

NO	PARTS NUMBER	PRICE (RM/pcs)	DESCRIPTION	QTY	EFFECTIVE DATE
01	17506-XPA-000	3.30	Fuel guide rubber	1	
02	35870-HLA-000	71.90	Dc SOL. ASSY	1	
03	36600-A1A-010	18.00	Eng. Start control SW.	1	
04	70529-APA-000	9.60	Carb maint rubber	1	
05	77200-X8A-000-C	244.90	Double seat comp	1	
06	77201-AAA-000	18.20	Seat hinge comp.	1	
07	77230-APA-000-C	21.00	Seat catch comp.	1	
08	77240-XPA-000	26.30	Seat lock cable	1	
09	81200-X8A-000-K	213.50	RR. Carrier	1	
10	81207-XPA-000	47.70	Seat catch stay	1	
11	81250-XPA-000	138.70	Luggage box	1	
12	90105-HHA-000	7.20	Seat hing screw	1	
13	90106-B9A-000	5.50	Special bolt 8mm	3	
14	93903-44340	0.50	Tapping screw 4*12	1	
15	90115-ATA-000	2.00	Bolt hndl lever pivot	4	
16	94050-06040	0.40	Flange nut 6mm	5	
17	95701-06012-04	0.50	Flange bolt 6*12	5	
18	50352-ADB-000	3.30	Link stopper rubber	2	
19	87145-U43-000	0.90	EU REPRESENTATIVE MARKING STICKE	1	



F11  
Fuel Tank

XC20W1-MYC(JET 14 200/X9L)

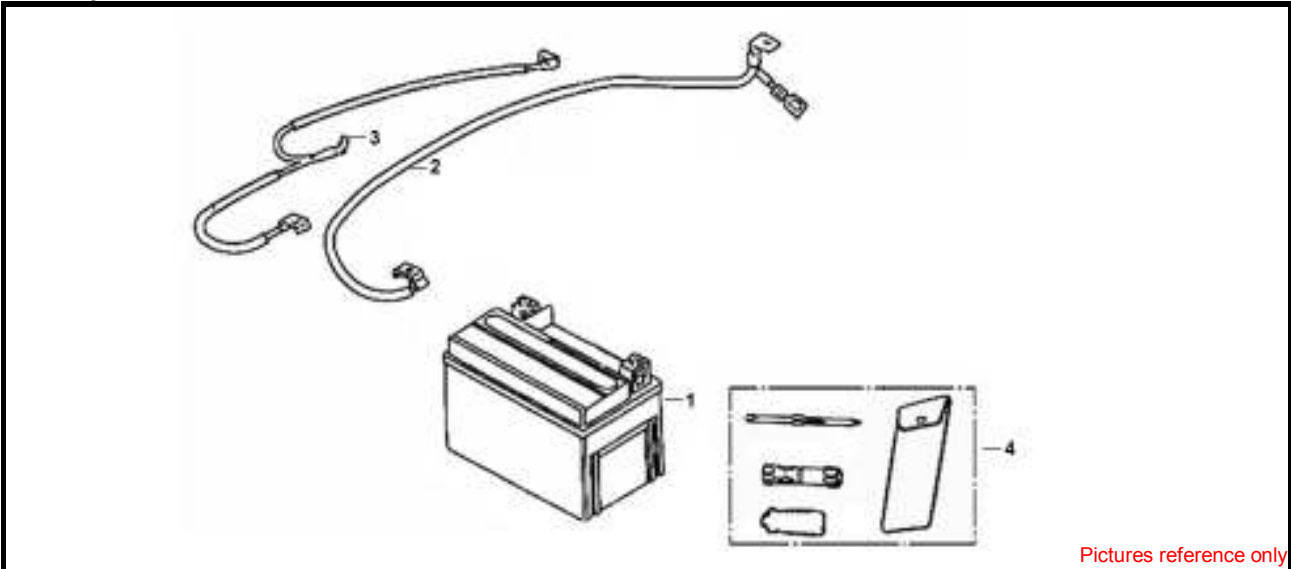


Pictures reference only

NO	PARTS NUMBER	PRICE (RM/pcs)	DESCRIPTION	QTY	EFFECTIVE DATE
01	16700-XMA-000	736.30	Fuel pump comp.	1	
02	17500-XMB-000	172.80	Fuel tank comp.	1	
03	17620-XH1-020	40.50	Fuel filter cap comp	1	
04	17682-X8A-000	153.50	Fuel strainer hose	1	
05	19505-H5D-000-TW	6.50	Hose clamp	1	
06	37800-XPA-010	33.60	Fuel unit assy	1	
07	37801-M9Q-000	2.20	Base packing	1	
08	37802-M9Q-000	4.30	Ret. Fuel unit	1	
09	90116-Z5C-000	1.60	Fuel pump. Bolt	6	
10	94050-06040	0.40	Flange nut 6mm	4	
11	17508-X8A-000	12.10	Fuel tank center cushion	1	
12	17580-XMB-000	48.10	Fuel cut valve	1	
13	17685-XMC-000	9.50	CANI. - CARB. tube	1	

F12  
Battery • Tool Box

XC20W1-MYC(JET 14 200/X9L)

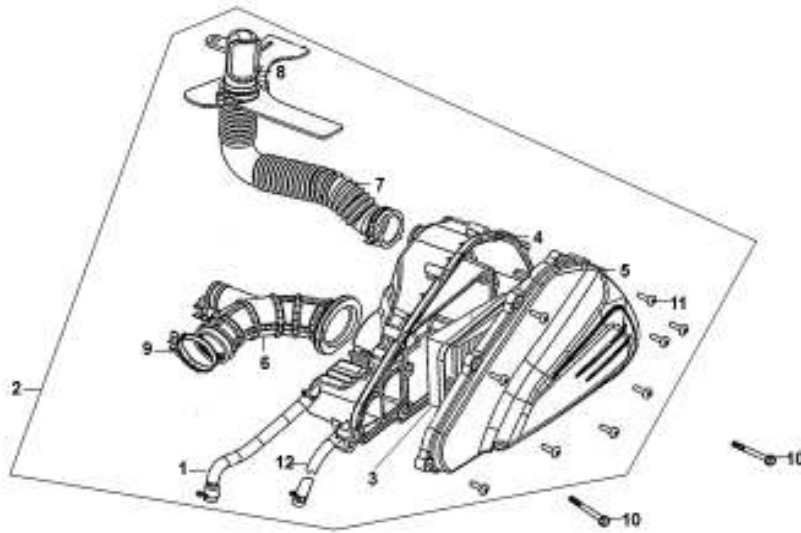


Pictures reference only

NO	PARTS NUMBER	PRICE (RM/pcs)	DESCRIPTION	QTY	EFFECTIVE DATE
01	AC-YTX7A-BS(HW)	126.00	BATTERY YTX7A-BS (HW)	1	
02	32411-ARA-010	34.20	Battery cable	1	
03	32412-XRA-000	50.10	Earth cable	1	
04	89010-V1F-000	10.60	Tool set	1	

F13  
Air Cleaner

XC20W1-MYC(JET 14 200/X9L)

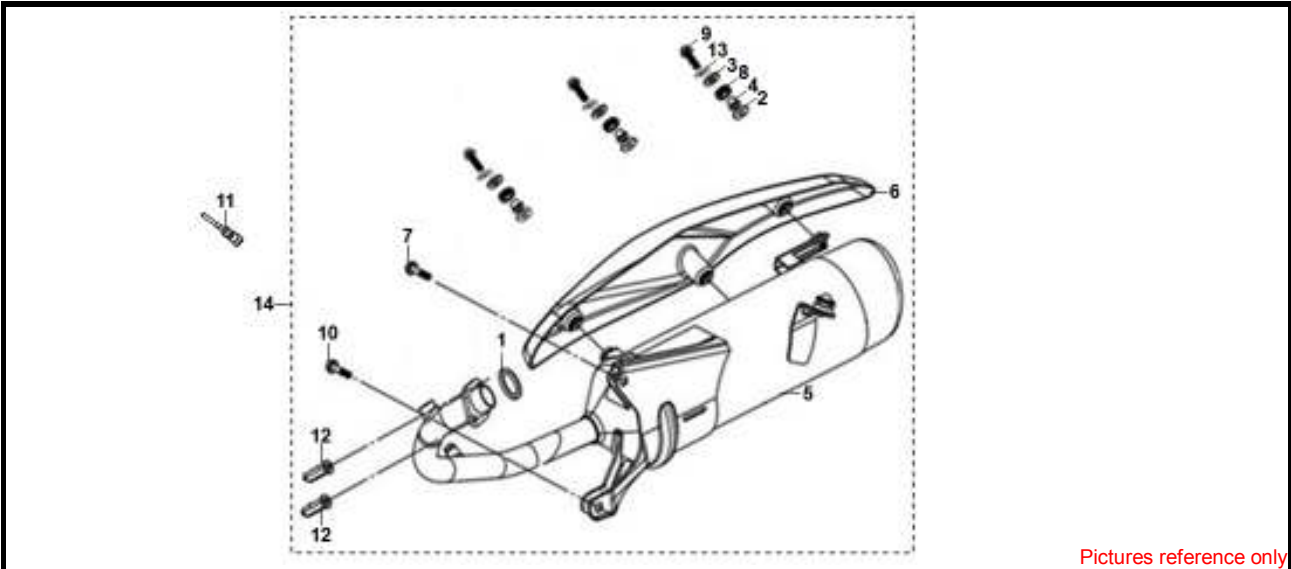


Pictures reference only

NO	PARTS NUMBER	PRICE (RM/pcs)	DESCRIPTION	QTY	EFFECTIVE DATE
01	11211-Z7P-000	17.70	Breather tube	1	
02	17200-XMB-020	158.50	AIR cleaner ASSY.	1	
03	17211-ADB-000	32.30	AIR/C element COMP.	1	
04	17230-ARA-010	48.30	AIR/C case COMP.	1	
05	17231-APA-000	39.20	AIR/C cover COMP.	1	
06	17253-XMA-010	22.30	AIR/C connecting tube	1	
07	17257-APA-000	74.30	AIR/C duct A	1	
08	17258-APA-000	15.20	AIR/C duct B	1	
09	90652-M9Q-000	10.70	AIR/C. CONN. tube band 46	1	
10	93404-06030-07	1.70	Washer bolt 6*30	2	
11	93903-25480	0.70	Tapping screw 5*20	9	
12	95003-23028-60	7.30	V tube 8*12*280	1	

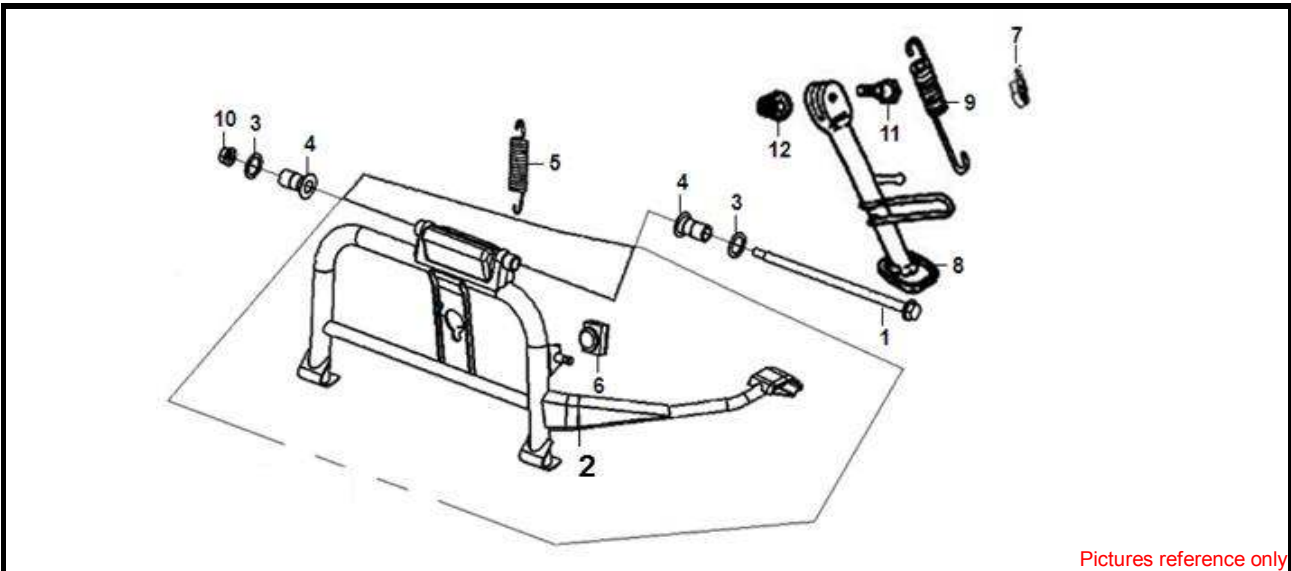
F14  
Exhaust Muffler

XC20W1-MYC(JET 14 200/X9L)



Pictures reference only

NO	PARTS NUMBER	PRICE (RM/pcs)	DESCRIPTION	QTY	EFFECTIVE DATE
01	18291-Z8G-000	3.90	EXH. pipe gasket(26.2x33)	1	
02	18292-F3E-000	4.30	Protector packing A	3	
03	18293-F7S-000	0.90	Protector packing	3	
04	18295-F3E-000	2.90	Collar M6	3	
05	18300-X9A-000	951.70	EXH. muffler COMP	1	
06	18317-XPA-000-K	104.20	Muffler protector COMP(BLACK)	1	
07	95801-X81-000	3.00	Flange bolt 8x40	1	
08	18321-L1A-000	3.50	Protector rubber	3	
09	96001-06022-49	4.80	Bolt6*22	3	
10	95801-Z5D-000	3.30	Flange bolt8*65	2	
11	3789A-XJE-000	541.70	O2 sensor ASSY.	1	
12	90043-XB1-000	5.90	Cap nut 8mm	2	
13	90555-AMA-000	0.70	Washer	3	
14	18000-X9A-000-K-C	1123.10	EXH muffler ASSY	1	

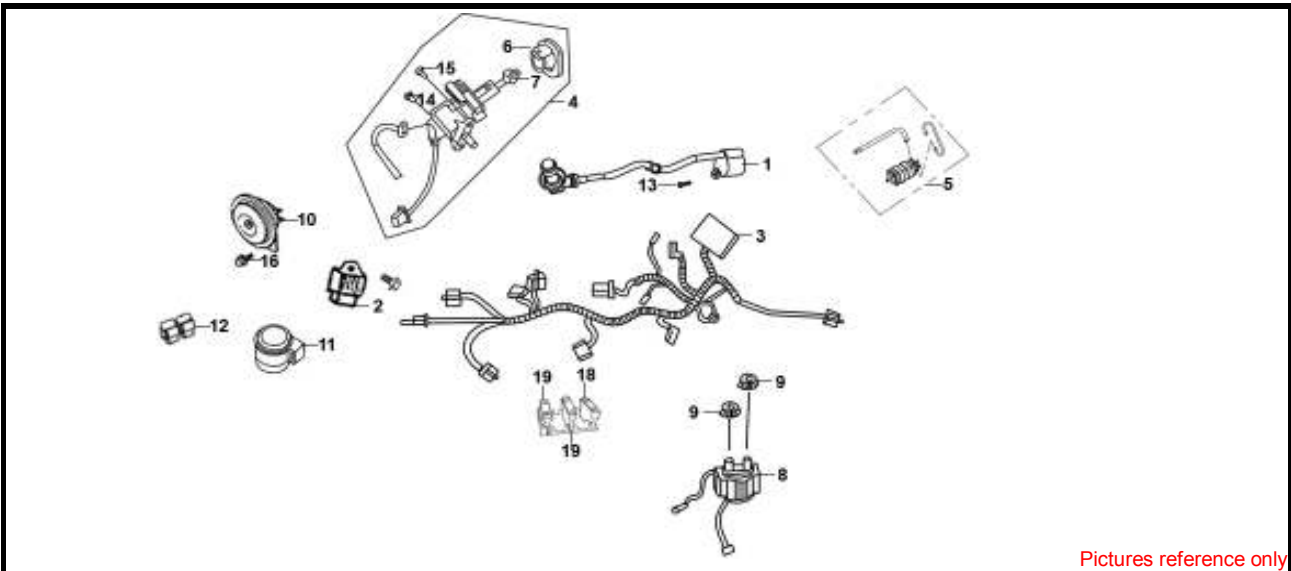


Pictures reference only

NO	PARTS NUMBER	PRICE (RM/pcs)	DESCRIPTION	QTY	EFFECTIVE DATE
01	50512-ARA-000	12.50	Flange bolt	1	
02	50500-X8A-000-C	99.70	Main stand COMP	1	
03	50503-F6B-000	1.70	Main stand washer	2	
04	50504-Z6A-000	13.50	Main stand collar	2	
05	5052A-APA-900	12.40	Main stand SPG.ASSY	1	
06	50506-ABA-000	6.00	Stand stop rubber A	1	
07	35270-Z7C-000	153.60	Side stand SW.	1	
08	50530-X8A-000	34.20	Side stand COMP	1	
09	50535-Z7C-000	11.20	Side stand SPG. ASSY	1	
10	90309-M9Q-900	1.80	Self-lock nut 8MM	1	
11	90108-Z7C-010	4.60	Side stand pivot screw	1	
12	90309-N7C-000	1.10	Self-lock nut 8MM	1	

F16  
Wire Harness

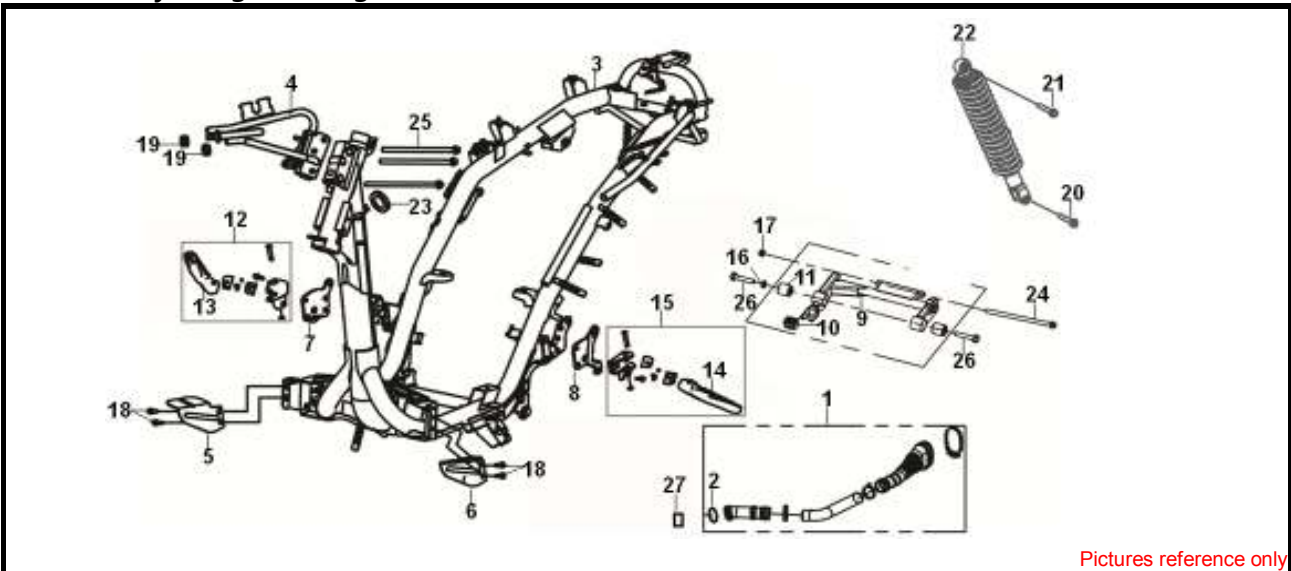
XC20W1-MYC(JET 14 200/X9L)



Pictures reference only

NO	PARTS NUMBER	PRICE (RM/pcs)	DESCRIPTION	QTY	EFFECTIVE DATE
01	3051A-X8A-020	190.00	IGN. COIL. ASSY	1	
02	31600-MA1-000	162.60	REG. REC. COMP	1	
03	32100-X9A-010	883.10	Wire harness	1	
04	35010-X8A-010	134.30	Key set	1	
05	1730A-X8A-000	97.40	Canister set	1	
06	35114-ALA-000	24.90	Main SW.cover	1	
07	35111-XGA-000	32.80	Key	1	
08	3585A-35A-A00	47.00	MAG. SW. COMP	1	
09	35859-M9Q-000	0.90	Start MAG. SW. NUT	2	
10	38100-N7B-E10	34.70	Horn COMP	1	
11	38300-T40-010	39.60	Ap winker relay ASSY	1	
12	3850A-HLA-100-A1-VN	45.20	ELEC. relay ASSY	3	
13	90112-H5B-000	1.50	COIL SCREW 4mm	2	
14	90085-HHA-900	2.50	Flange bolt 6*16	1	
15	95801-06016-04	0.50	Flange bolt 6X16	1	
16	95801-08012-04	1.10	Flange bolt 8X12	1	
17	98200-31000	2.15	Blade fuse 10A	2	
18	98200-31500	1.50	Blade fuse 15A	2	
19	98200-33000	3.60	Plate fuse (30A)	3	

Frame Body • Engine Hanger



Pictures reference only

NO	PARTS NUMBER	PRICE (RM/pcs)	DESCRIPTION	QTY	EFFECTIVE DATE
01	1134C-ARA-000	89.10	L. cover duct T ASSY	1	
02	17242-M9Q-000	2.50	AIR/C duct BAND	1	
03	50100-X8A-000	1226.50	Frame body COMP.	1	
04	50180-X8A-000	124.30	Front cover stay	1	
05	50181-X8A-010	35.90	Floor panel stay A	1	
06	50182-X8A-010	35.90	Floor panel stay B	1	
07	50183-X8A-000	19.20	RH. step STAY	1	
08	50184-X8A-000	19.20	LH. step STAY	1	
09	50351-ARA-010	108.30	ENG. hanger COMP	1	
10	50352-ADB-000	3.30	Link stopper rubber	1	
11	50353-M9Q-000	10.60	Swing lock bush	2	
12	50710-X8A-000	79.30	RH. pillion step ASSY	1	
13	50715-APA-000	56.40	RH. pillion step	1	
14	50718-APA-000	56.40	LH. pillion step	1	
15	50720-X8A-000	79.30	Lh. Pillion step ASSY	1	
16	90121-M9Q-900	2.00	Distance collar	1	
17	90304-AAA-000	2.20	Flange. U nut 10mm	1	
18	93404-06016-04	0.90	Washer bolt 6*22	4	
19	64304-X01-000	2.15	FR. cover rubber	3	
20	95801-08035-04	1.60	Flange bolt 8*35	2	
21	95801-10035-04	1.60	Flange bolt 10*35	2	
22	52400-AR1-010-K-C	113.10	Rr. Cushion ASSY	2	
23	64306-X01-000	1.60	Inner box sponge	1	
24	90105-ARA-000	13.60	Special bolt 10*191	1	
25	95801-08045-04	1.90	Flange bolt 8x45	2	
26	90106-ABA-000	3.70	Flange bolt 6*25	2	
27	11346-ABA-000	8.80	L cover duct band	1	

PARTS NO.	NO.	PARTS NO.	NO.	PARTS NO.	NO.
06414-HKK-000	E14	1C14401-M92-000-M2	E03	17257-APA-000	F13
11000		14439-F62-010	E02	17258-APA-000	F13
11100-ARA-000	E04	14439-XJA-000	E02	1730A-X8A-000	F16
11102-M9Q-300	E04	1443A-ANL-010	E02	17500-XMB-000	F11
11102-M9Q-300	E12	14451-ANL-000	E02	17506-XPA-000	F10
11192-XRB-000	E12	14452-ANL-000	E02	17508-X8A-000	F11
11200-ARA-000	E12	14457-ANL-000	E03	17580-XMB-000	F11
11203-M9Q-300	E12	14510-F8A-000	E03	17620-XH1-020	F11
11211-Z7P-000	F13	14520-GY6-901	E05	17682-X8A-000	F11
11221-ARA-000	E11	14523-Z8G-000	E05	17685-XMC-000	F11
11331-ARB-000	E06	14531-M9Q-000	E12	17910-X8A-000	F02
11341-XMA-020-K1	E08	14610-F8A-000	E03	18000-X9A-000-K-C	F14
11342-ARA-000	E08	14711-F8A-000	E02	18000	
11343-XRB-000	E08	14721-F8A-000	E02	18291-Z8G-000	F14
11346-ABA-000	F17	14751-ARA-000	E02	18292-F3E-000	F14
11347-XMC-000	E08	14771-F6C-A00	E02	18293-F7S-000	F14
1134C-ARA-000	F17	14781-A01-A00-A	E02	18295-F3E-000	F14
11382-ARB-000	E08	15000		18300-X9A-000	F14
11383-GY6-A00	E01	15100-F6C-000-XS	E04	18317-XPA-000-K	F14
11394-Z2D-000	E06	15133-F6C-000	E04	18320-F3E-000	F14
11395-XRB-000	E08	15421-H66-000	E06	19000	
12000		15426-M9Q-000	E06	19505-H5D-000-TW	F11
12100-XJA-010	E05	1565A-ARA-000	E06	19510-H69-000	E07
12191-Z2D-000	E05	15711-M92-000	E04	19613-GY6-900	E01
12209-H6B-900	E02	16000		1961A-X8A-000	E01
1220C-XMA-000	E02	16201-Z2D-000	E02	1962A-X8A-000	E01
12251-XJA-000	E02	16211-ANL-010	E02	1963A-Z7P-000	E01
12302-ANL-000	E02	1640A-XMC-000	E14	21000	
12308-Z2D-000	E02	16700-XMA-000	F11	21200-A6A-000	E11
12310-A61-000	E02	17000		21395-Z2D-000	E11
12361-M9Q-000	E06	1711A-Z7P-000	E14	22000	
12391-F8A-000	E02	17120-XJA-000	E14	22101-M9Q-000	E10
13000-XJA-000	E13	17121-H6Y-000	E14	22102-M92-000	E09
13000		17200-XMB-020	F13	22105-M92-000	E09
13010-VVC-000	E13	17211-ADB-000	F13	22110-H5B-000	E09
13101-XJA-000	E13	17230-ARA-010	F13	2211A-F6C-000	E09
13111-M4Q-000	E13	17231-APA-000	F13	22121-GY6-920	E09
14000		17242-M9Q-000	F17	22131-M92-000	E09
14100-XJA-010	E03	17253-XMA-010	F13	22132-ARA-000	E09
14105-F6A-000	E03	17256-MA1-000	E14	22350-HKE-000	E10



PARTS NO.	NO.	PARTS NO.	NO.	PARTS NO.	NO.
22530-F6C-000	E10	35150-X8A-000	F02	44312-ZBC-000	F08
23000		35200-X8A-000	F02	44314-N7B-E10	F08
2301A-F6C-010	E10	35270-Z7C-000	F15	44315-N7B-E10	F08
1B01XMA02	E09	35340-ARB-000	F02	44600-X9A-000	F08
23411-A61-000	E11	35342-AE1-000	F07	44710-X8A-000	F08
23420-Z7P-010-M1	E11	35859-M9Q-000	F16	44870-L4C-000	F02
23431-AR1-000	E11	3585A-35A-A00	F16	45000	
23432-AR1-000	E11	35870-HLA-000	F10	45105-APA-9000-A	F07
28000		36000		4510A-X9A-000	F07
28101-GY6-900	E04	36600-A1A-010	F10	45120-XMC-000	F08
28102-GY6-900	E04	37000		45121-XMC-000	F08
28110-VVC-000	E04	37200-X91-900	F01	45124-XMC-000	F07
28124-XJA-000	E04	37800-XPA-010	F11	45125-X9A-000	F07
28125-XJA-000	E04	37801-M9Q-000	F11	45156-AAA-000	F06
2812A-XJA-000	E04	37802-M9Q-000	F11	4550A-X9A-000	F07
30000		37880-Z5C-000-M1	E02	4550B-X9A-000	F07
3051A-X8A-020	F16	3789A-XJE-000	F14	50000	
31000		38000		50100-X8A-000	F17
31110-Z5C-010	E07	38100-N7B-E10	F16	50121-APA-300	F06
31120-X8A-000	E07	38300-T40-010	F16	50180-X8A-000	F17
31200-ARA-000	E12	3850A-HLA-100-A1-V	F16	50181-X8A-010	F17
31500-XG1-000	F12	38730-XMC-000	F07	50182-X8A-010	F17
31600-MA1-000	F16	38731-XMC-000	F07	50183-X8A-000	F17
32000		42000		50184-X8A-000	F17
32100-X9A-010	F16	42311-H9A-000	F09	50301-M9Q-000-XS	F06
32411-ARA-010	F12	42601-X9A-000	F09	50302-M9Q-000-XS	F06
32412-XRA-000	F12	42710-X8A-000	F09	50303-AAA-000	F06
32961-ARA-000	E06	42753-ABA-000	F08	50304-AAA-000	F06
33000		42753-ABA-000	F09	50306-M9Q-000-XS	F06
33100-X8A-000	F03	43000		50324-X8A-000	F04
33400-X8A-000	F03	43100-XJA-000	F07	50326-X8A-000	F04
33450-X8A-000	F03	43105-ARB-000-A	F07	50351-ARA-010	F17
33700-X8A-000	F05	43120-XJE-000	F09	50352-ADB-000	F10
33740-Z6A-000	F05	43121-XJA-000	F09	50352-ADB-000	F17
33741-N7B-E10	F05	43126-ZAG-000	F07	50353-M9Q-000	F17
33742-X8A-000	F06	43500-ARB-010	F07	50500-X8A-000-C	F15
35000		4350A-X9A-000	F07	50503-F6B-000	F15
35010-X8A-010	F16	44000		50504-Z6A-000	F15
35110-ALA-000	F16	44301-APG-900	F08	50506-ABA-000	F15
35111-XGA-000	F16	44311-GW0-910	F08	50512-ARA-000	F15

PARTS NO.	NO.	PARTS NO.	NO.	PARTS NO.	NO.
5052A-APA-900	F15	61201-B9A-000	F07	80151-X8A-000	F05
50530-X8A-000	F15	64000		81000	
50535-Z7C-000	F15	64300-X8A-000	F03	81131-X8A-810	F03
50611-APA-000	F04	64301-X8A-000-RD	F03	81132-X8A-000	F03
50612-APA-000	F04	64301-X8A-000-BP	F03	81133-X8A-000-AE	F03
50710-X8A-000	F17	64301-X8A-000-WA	F03	81141-X8A-010	F03
50715-APA-000	F17	64301-X8A-000-AJ	F03	81142-X8A-000	F03
50718-APA-000	F17	64301-X8A-000-KC	F03	81143-X8A-000-AE	F03
50720-X8A-000	F17	64301-X8A-000-AG	F03	81146-X8A-000	F03
51000		64302-X8A-000-RD	F03	81151-X8A-000	F03
51400-X8A-000-K-C	F06	64302-X8A-000-BP	F03	81161-X8A-000	F03
51403-APA-000	F06	64302-X8A-000-WA	F03	8116A-L9M-000-TW	F03
51404-APA-000	F06	64302-X8A-000-AJ	F03	81200-X8A-000-K	F10
51500-X8A-000-K-C	F06	64302-X8A-000-KC	F03	81207-XPA-000	F10
52000		64302-X8A-000-AG	F03	81250-XPA-000	F10
5210A-ARB-000	F09	64303-X8A-000	F01	83000	
52400-AR1-010-K-C	F17	64304-X01-000	F17	83500-X8A-000-RD	F05
53000		64306-X01-000	F04	83500-X8A-000-BP	F05
53100-X8A-000	F02	64306-X01-000	F17	83500-X8A-000-WA	F05
53104-ZBC-000	F02	64310-X8A-000	F04	83500-X8A-000-AJ	F05
53125-CT1C-A00	F02	64318-ALA-000-BK	F03	83500-X8A-000-KC	F05
53131-AWU-000-KH	F02	67000		83500-X8A-000-AG	F05
53132-AWU-000	F02	67100-X8A-000	F01	83510-X8A-000-AE	F05
53140-XPA-000	F02	67110-X8A-000-AE	F01	83520-X8A-000	F04
53166-XPA-000	F02	70000		83530-X8A-000-AE	F04
53175-T6V-000-XS	F07	70529-APA-000	F10	83600-X8A-000-RD	F05
53178-ARB-010	F07	77000		83600-X8A-000-BP	F05
53200-X8A-000	F06	77200-X8A-000-C	F10	83600-X8A-000-WA	F05
53205-X8A-000	F02	77201-AAA-000	F10	83600-X8A-000-AJ	F05
53206-X8A-000	F01	77230-APA-000-C	F10	83600-X8A-000-KC	F05
53208-X9B-000	F01	77240-XPA-000	F10	83600-X8A-000-AG	F05
53209-X9B-000	F01	80000		83610-X8A-000-AE	F05
53211-M9Q-000-CN2	F06	80100-X8A-000	F05	83620-X8A-000	F04
53212-M9Q-000-XS	F06	80103-ARA-000	F05	83630-X8A-000-AE	F04
53214-M9Q-000	F06	80103-ARA-000	F05	83650-X8A-000-RD	F05
53215-M9Q-000	F06	80104-ZBC-000	F04	83650-X8A-000-BP	F05
53231-X8A-000	F02	80105-X8A-000	F04	83650-X8A-000-WA	F05
61000		80106-ARA-000	F05	83650-X8A-000-AJ	F05
61100-X8A-000-K	F06	80107-X8A-000	F05	83650-X8A-000-KC	F05
61110-X8A-000	F06	80108-X8A-000	F05	83650-X8A-000-AG	F05

PARTS NO.	NO.	PARTS NO.	NO.	PARTS NO.	NO.
87000		90106-N02-000	F08	91003-M8Q-000	E11
87121-ANT-000	F03	90106-N02-000	F09	91051-H9A-000	F09
87128-X8A-000	F05	90106-B9A-000	F10	91104-M9Q-000-M3	E04
87128-X8A-000	F05	90106-ABA-000	F17	91104-KN7-670-M1	E11
87130-X9A-000	F03	90108-Z7C-010	F15	91201-M9Q-300-M2	E04
87131-X8A-000-T1	F04	90109-42168	F03	91202-KJ9-003-M1	E11
87131-X8A-000-T2	F04	90109-42168	F04	91203-A6A-000	E11
87131-X8A-000-T2	F04	90111-AAA-000	F04	91204-HMA-000-M2	E09
87131-X8A-000-T3	F04	90112-H5B-000	F16	91258-M9Q-000	F08
87131-X8A-000-T4	F04	90115-G02-000	F06	91301-GR0-003	E12
87131-X8A-000-T5	F04	90115-ATA-000	F10	91302-M9T-000	E06
87132-X8A-000-T1	F04	90116-Z5C-000	F11	91306-GY6-A00	E05
87132-X8A-000-T2	F04	90121-M9Q-900	F17	92000	
87132-X8A-000-T2	F04	90145-M9Q-000	F07	92101-05012-0A	E07
87132-X8A-000-T3	F04	90164-AAA-000	F06	92800-12000	E12
87132-X8A-000-T4	F04	90201-GY6-900	E04	93000	
87132-X8A-000-T5	F04	90302-SA4-900	F01	93404-06016-00	F04
87145-U43-000	F10	90302-SA4-900	F03	93404-06030-07	F04
87552-L6G-900	F03	90302-SA4-900	F04	93404-06030-07	F13
88000		90302-SA4-900	F05	93404-06022	F17
88110-XPA-000-K	F02	90304-AAA-000	F02	93600-06025-0H	E04
88120-XPA-000-K	F02	90304-AAA-000	F17	93600-04010-04	F08
89000		90306-X11-000	F08	93903-34340	E01
89010-V1F-000	F12	90309-M9Q-900	F15	93903-35340	E01
90000		90309-N7C-000	F15	93903-34180	E02
90001-M9Q-000	E05	90401-ANL-000	E11	93903-24340	F01
90002-XJA-000	E04	90403-M92-000	E04	93903-44340	F01
90005-KW1-900	E05	90440-166-000	E07	93903-45240	F01
90031-107-010	E05	90440-166-000	E09	93903-34440	F01
90032-A6A-000	E05	90442-028-000	E02	93903-34340	F02
90033-M92-000	E02	90474-333-000-KD	E12	93903-34340	F03
90034-HMA-000	E02	90555-AMA-000	F14	93903-35240	F03
90043-XB1-000	F14	90602-N01-000	E04	93903-45240	F03
90083-B12-000	E03	90652-M9Q-000	F13	93903-45340	F03
90085-HHA-900	F16	90703-M8Q-000	E05	93903-34340	F04
90086-MA1-000	E14	90703-M8Q-000	E11	93903-34340	F05
90103-KN8-000	E12	90703-M8Q-000	E12	93903-44340	F05
90105-HHA-000	F10	90754-H9A-000	F09	93903-44340	F10
90105-ARA-000	F17	90755-ARB-000	F09	93903-25480	F13
90106-AAA-000	F02	91000		93904-35340	E01

PARTS NO.	NO.	PARTS NO.	NO.	PARTS NO.	NO.
	94000	96001-06095-08	E02		
94050-08080	E02	96001-06012-04	E03		
94050-12000	E07	96001-06012-08	E04		
94050-12000	E09	96001-06045-08	E04		
94050-12000	E10	96001-06055-08	E04		
94050-06080	E14	96001-06100-08	E06		
94050-06040	F10	96001-06095-08	E06		
94050-06040	F11	96001-06030-08	E06		
94109-12000	E12	96001-06018-08	E07		
94301-08140	E06	96001-06028-08	E07		
94301-08140	E12	96001-06020-00	E07		
94510-25000	E11	96001-06030-00	E08		
94591-17000	E01	96001-06016-08	E12		
94591-28000	E12	96001-06045-00	E14		
94601-15000	E13	96001-06016-04	F03		
	95000	96001-06022-49	F14		
95003-23028-60	F13	96100-62030-00	E11		
95701-08068-00	E12	96100-63013-00	E11		
95701-08055-00	E12	96150-62050-10	E11		
95701-08060-00	E12	96700-06028-49	F02		
95701-08065-00	E12	96700-08020-02	F02		
95701-06012-04	F10		98000		
95801-06025-04	F04	1PCR7HSA	E02		
95801-06012-04	F04	98200-31000	F16		
95801-06012-04	F06	98200-31500	F16		
95801-08040-04	F06	98200-33000	F16		
95801-06018-04	F07				
95801-08045-04	F07				
95801-08064-07	F09				
95801-08045-04	F09				
95801-08035-04	F09				
95801-X81-000	F14				
95801-Z5D-000	F14				
95801-06016-04	F16				
95801-08012-04	F16				
95801-08035-04	F17				
95801-10035-04	F17				
95801-08045-04	F17				
	96000				
96001-06025-08	E01				